

# Sizing Guide

## Sloped Wall Basement Doors



an AmesburyTruth<sup>™</sup> company

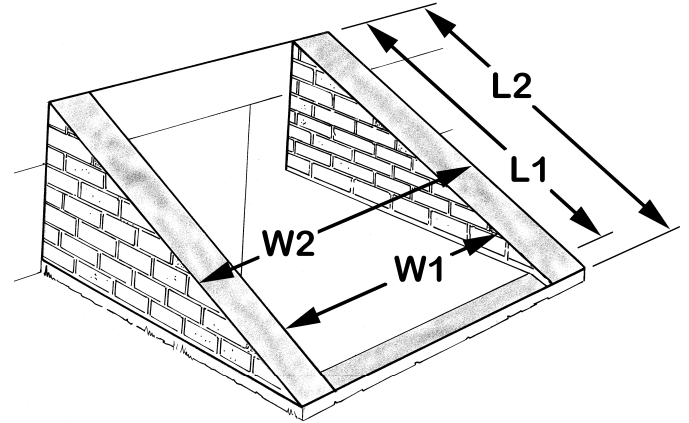
### Type BR Sloped Wall Door

1. Discard your old door and measure the dimensions of the areaway foundation as shown on the right.
2. Measure dimension W1, the inside width, and W2, the outside width of the foundation sloped sidewalls. Walls may not be uniformly spaced, so check at several points for the narrowest dimension.
3. Measure dimension L1, the inside length, and L2, the outside length of the areaway foundation.
4. Using table below, select a model whose inside door width is equal to or more than W1 and less than W2.

Examples: W1 = 38" - Select BR-2  
 W1 = 44" - Select BR-3

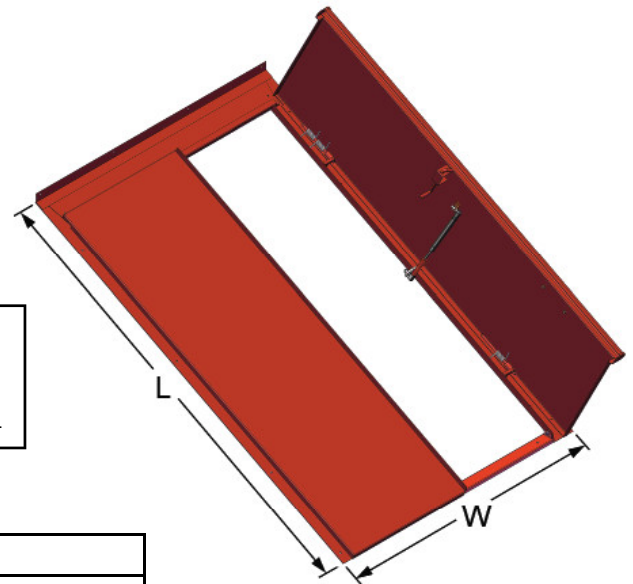
NOTE: BILCO Foundation plates are available to reduce the width of your foundation opening.

5. Select a door length that is at least 2" longer than L1 and no longer than L2. NOTE: BILCO Extension Panels are available to increase the length of the basement door. See below for more information.



Record your foundation dimensions here:

<b>Width</b>		<b>Length</b>	
W1 = _____	W2 = _____	L1 = _____	L2 = _____

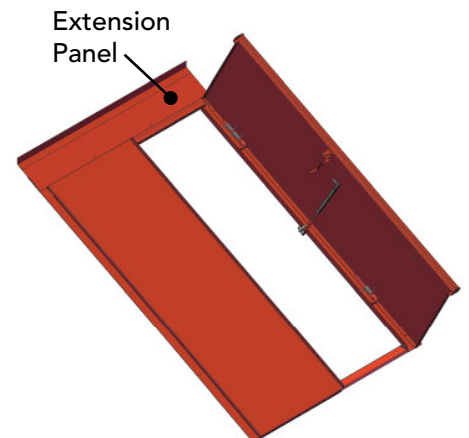


### Sloped Wall Basement Door Dimensions

Model	Door Width		Door Length				
	Inside	Overall	Inside	Overall	Overall - With Extension Panels		
					6" Ext	12" Ext	18" Ext
BR-1	36"	43-3/16"	58"	65-1/8"	70-1/8"	76-1/8"	82-1/8"
BR-2	40"	47-3/16"	60-1/4"	67-5/8"	72-5/8"	78-5/8"	84-5/8"
BR-3	44"	51-3/16"	67-3/8"	74-1/2"	79-1/2"	85-1/2"	91-1/2"

\*Extension panels must overlap the door's head panel by at least 1".

Extensions are available to increase the door length in 6", 12", and 18" sizes. Two or more extensions can be overlapped to make longer extensions. Note: Extension panels must overlap the door's header panel by a least 1". Refer to table above for door lengths with extension panels.



# Experience. Innovation.

Contact us by phone: 800.854.9724 or  
 email: residential@BILCO.com