

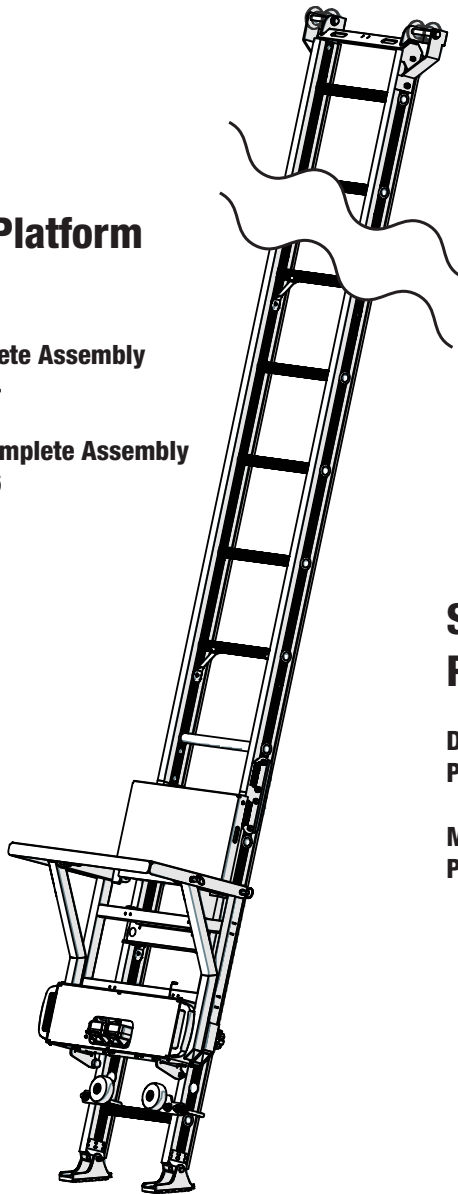
G2 LADDERVATOR

by **TIE DOWN**
www.tranzvolt.com

Roofing Platform Pro Kit

DeWalt Complete Assembly
Part ID: 40684

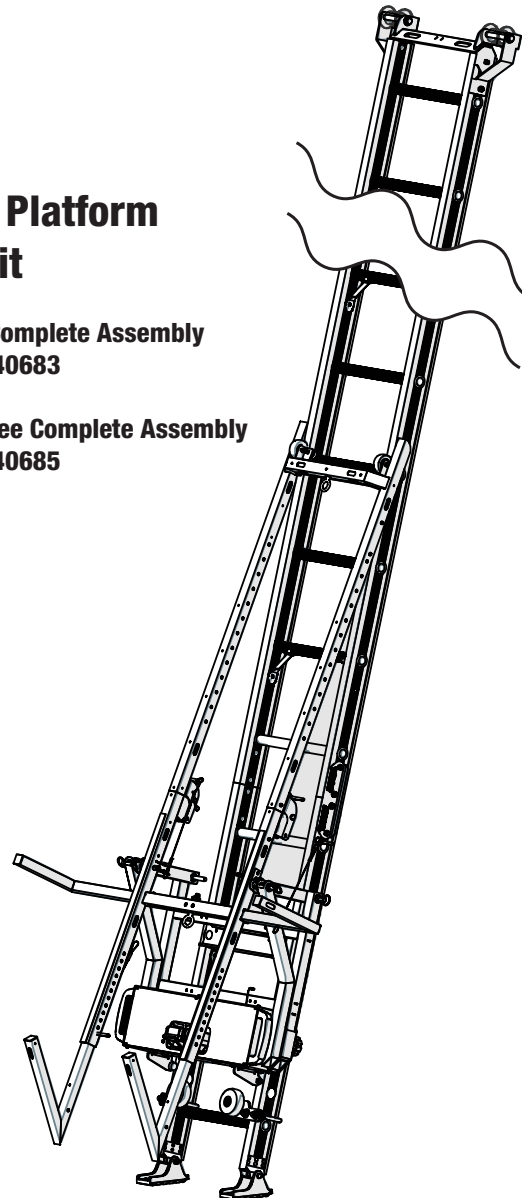
Milwaukee Complete Assembly
Part ID: 40686



Solar Platform Pro Kit

DeWalt Complete Assembly
Part ID: 40683

Milwaukee Complete Assembly
Part ID: 40685



**IMPORTANT: Batteries/charger not included. User must supply their own batteries/charger depending on model purchased. Two (2) batteries are required:
DeWalt Brand 20V batteries
or
Milwaukee Brand 18V batteries**

TranzVolt 2.0 Laddervator Kit Descriptions

DeWalt "Starter" Kit
Milwaukee "Starter" Kit

Part ID: 40670
Part ID: 40677

Box #1 of 2 Includes:

Power box, two remotes, lower roller stops, top cap w/rollers, synthetic cable and two safety tie down's.

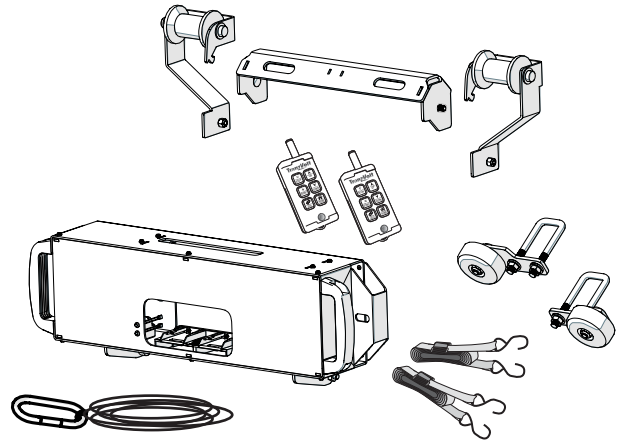
Box #2 of 2 Includes:

Platform frame, quick release pins & retaining knobs.

Shipping Pallet:

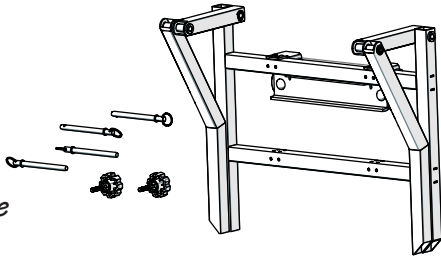
Track Section Bundle:

(3) 8 ft. track sections with splice plates w/nuts & bolts installed (1) 4 ft. track section with foot stops



Box 1 of 2 - Power Box Kit

*Box 2 of 2
Platform Frame*



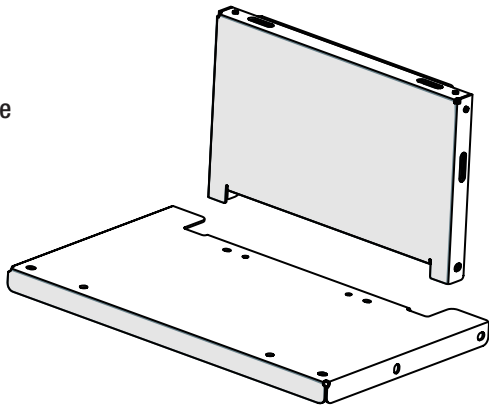
*Shipping Pallet
Track Section Bundle*



Collapsible Roofing Platform Kit

Part ID: 40675

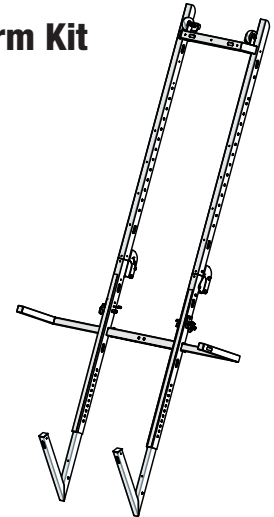
Kit Includes:
Tilt back and platform base



Solar Tilt Back Platform Kit

Part ID: 40676

Kit Includes:
Tilt back frame & mounting hardware



Individual Component Kits:

DeWalt Power Box Kit
 Milwaukee Power Box Kit
 Platform Frame Kit

Part ID: 40672
 Part ID: 40673
 Part ID: 40671

Collapsible Roofing Platform Kit
 Solar Tilt Back Platform Kit

Part ID: 40675
 Part ID: 40676