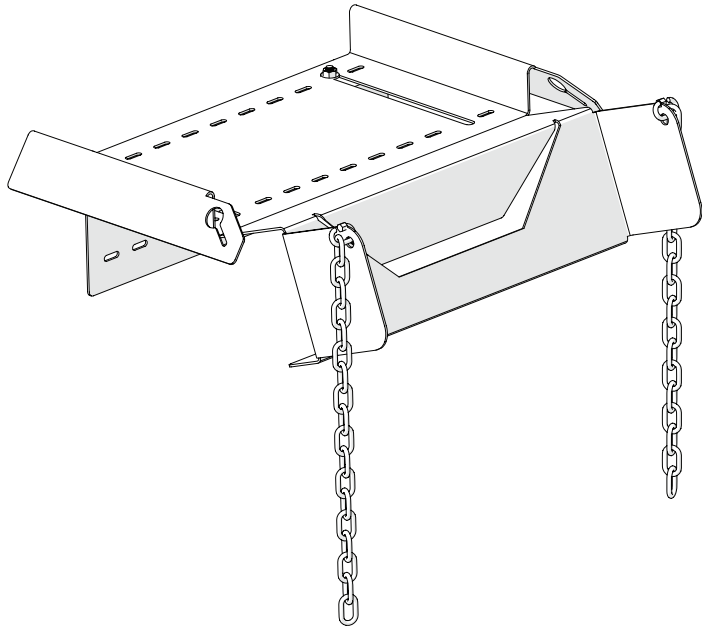


TIE DOWN

S A F E T Y

Ladder Safety Dock - Commercial Installation and Use Part #70831



Package Contains:

- 1 Aluminum Deck
- 1 "L" Shaped Parapet Bracket
- 2 Carriage Bolts (3/8")
- 2 Washers (3/8")
- 2 Self-locking Nuts (3/8")
- 2 Chains with Quick Links (3/16" x 18")
- 6 Lag Screws (5/16" x 3")

Tools Needed:

- Drill
- 3/8" & 7/16" Socket

Materials Needed (Not Included):

- Roof Sealant
- Slip Sheet for Under the Dock

The Ladder Safety Dock (LSD) can be used for flat or sloped roofs and parapets. It provides a secure ladder tie-off to comply with OSHA Standards.

As a permanent or temporary system, the Ladder Safety Dock attaches to the roof edge. The LSD prevents damage from ladders leaning on eaves and roof edges. The LSD enables use on flat, low sloped and parapet type roof tops. The LSD complies with OSHA standards for proper ladder securement.

Do not throw away these instructions!
Read and understand these instructions before using this device. Any questions please call (404) 344-0000.

OSHA Standard 1926.1053(b)(1)

When portable ladders are used for access to an upper landing surface, the ladder side rails shall extend at least 3 feet (.9 m) above the upper landing surface to which the ladder is used to gain access; or, when such an extension is not possible because of the ladder's length, then the ladder shall be secured at its top to a rigid support that will not deflect, and a grasping device, such as a grab-rail, shall be provided to assist employees in mounting and dismounting the ladder. In no case shall the extension be such that ladder deflection under a load would, by itself, cause the ladder to slip off its support

**MADE
★IN THE★
USA**



Ladder Safety Dock
On-line
Instructions

Instruction #08348
E1765; Rev. 8/12/20

INSTALLATION

Step 1

Check package contents. Contact us immediately to report missing parts.

Step 2

While installing the Ladder Dock and according to OSHA Standards, always tie-off and always maintain 3 points of contact on the ladder.

WARNING WARNING WARNING WARNING

THE LADDER SAFETY DOCK MUST BE MINIMUM 10 FT. CLEAR OF ALL ELECTRICAL WIRES AND EQUIPMENT. BE AWARE OF OVERHEAD WIRES BEFORE RAISING YOUR LADDER, ELECTRICITY KILLS!



Step 3

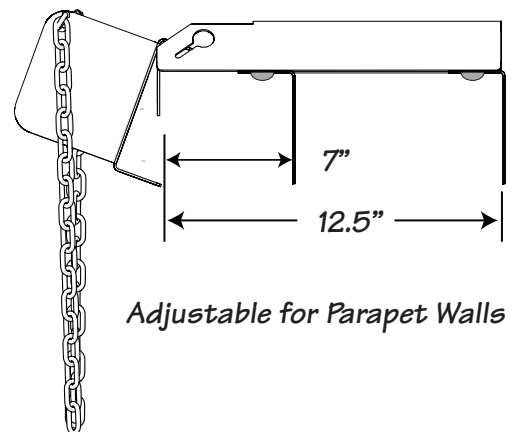
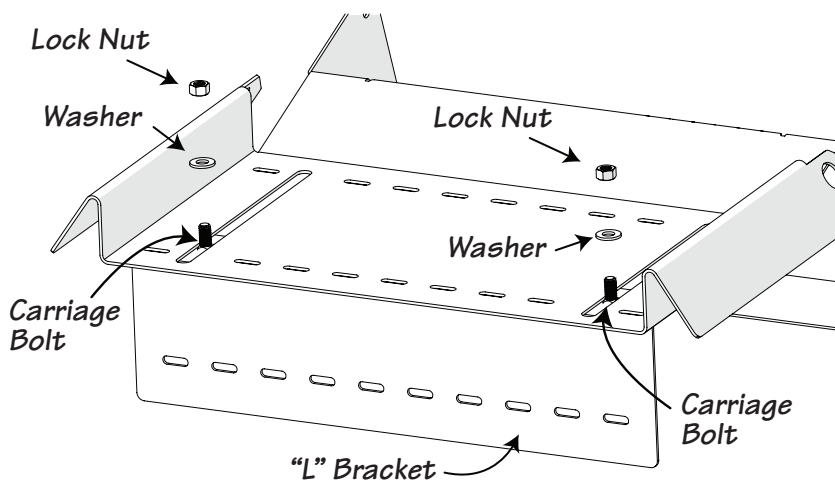
Determine the best location to mount your Ladder Safety Dock.

- There must be a minimum of 10 ft. clearance from all electrical wires and other equipment
- There must be sufficient mounting structure under the roofing material
- There must be sufficient clearance below for proper ladder angle (4 to 1)
- Locate your Ladder Safety Dock away from foot traffic below

FOR PARAPET MOUNTING

Step 4

For parapet mounting, install the "L" shaped parapet mounting bracket onto the aluminum deck using the 2 carriage bolts, washers and locking nuts provided. The nut is on the top and bolt head is on the bottom. Leave the bracket loose until the Ladder Dock is in place on the parapet.

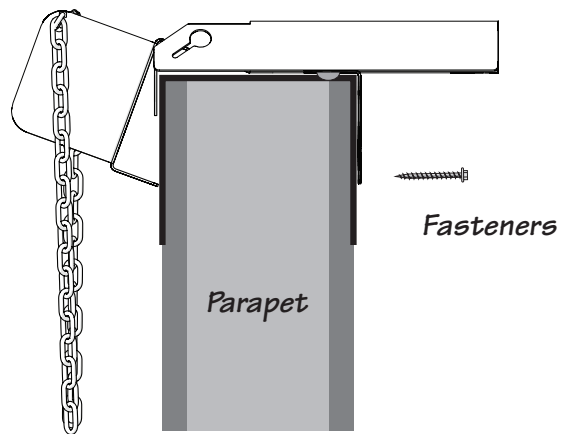
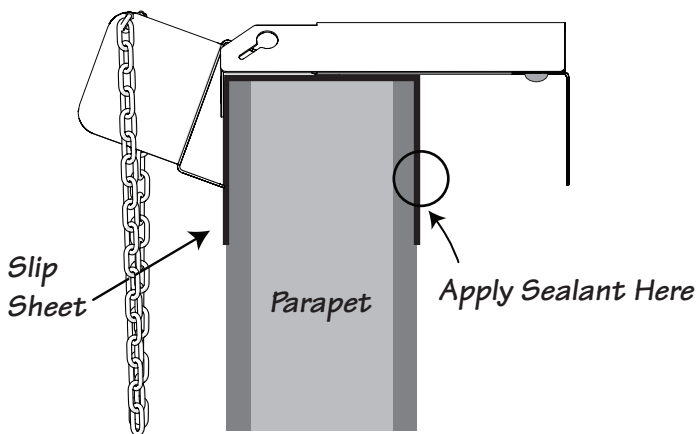


Step 5

Place a slip sheet under the aluminum deck and position the Ladder Safety Dock on the parapet. Apply roof sealant under the "L" bracket where you place the fasteners, Squeeze the "L" bracket and deck on the parapet and tighten the nuts.

Step 6

Secure the Ladder Safety Dock to the parapet using the 4 fasteners provided (2 extra included), through the slotted holes, making sure that the fasteners are penetrating adequate substrate under the roofing membrane. If the fasteners do not "bite" into adequate substrate, you can move the Ladder Dock to a new position and try again, or drill through the parapet and fasten with long bolts or threaded rods, washers and nuts.



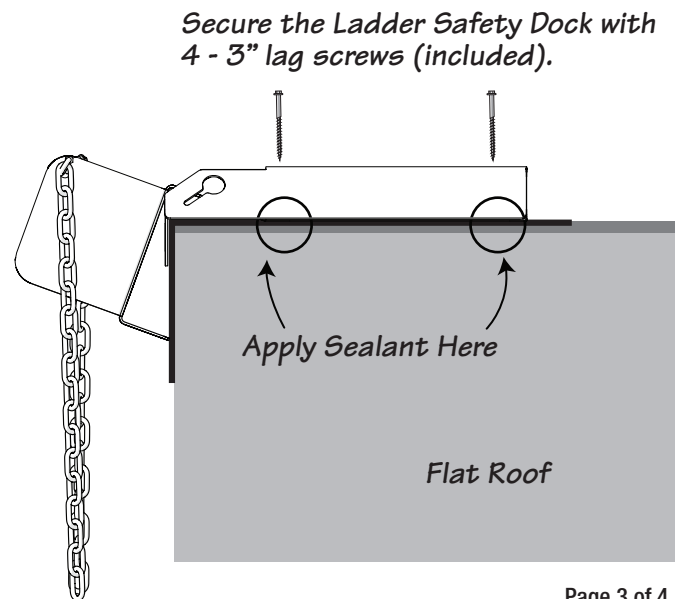
FOR FLAT OR SLOPED ROOF MOUNTING

Step 4

For flat or sloped roof mounting, place a slip sheet under the aluminum deck and position the Ladder Safety Dock on the roof. Apply roof sealant under the deck where you place the fasteners.

Step 5

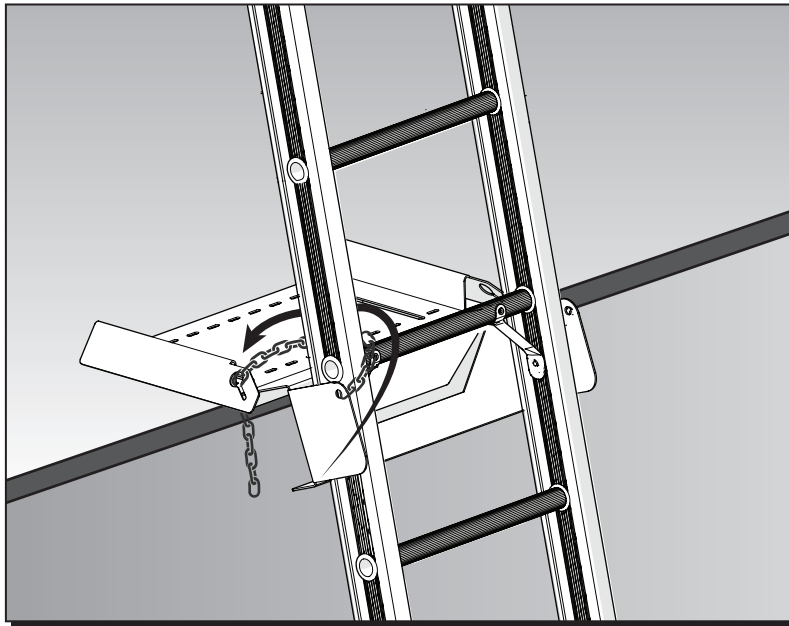
Secure the Ladder Safety Dock to the roof using the 4 fasteners provided, thru the slotted holes, making sure that the fasteners are penetrating adequate substrate under the roofing membrane. If the fasteners do not "bite" into adequate substrate, you can move the Ladder Dock to a new position and try again. If more fasteners are needed, use the same fasteners as supplied with your Ladder Safety Dock kit.



LADDER SAFETY DOCK USE

Set Ladder into Ladder Safety Dock

Place ladder against the Ladder Safety Dock. Set your ladder at the angle recommended by OSHA; for every 4' in height, the ladder should be at least 1' from the wall. For example, at 12' to the roof, the ladder should be at least 3' from the wall.



Note:
Ladder must extend at least 36" above the Ladder Safety Dock per OSHA Standard.

Ascending the Ladder

Climb the ladder to the Ladder Dock and with one hand on the ladder, use the other hand to wrap the chain around the ladder rail and feed the chain into the keyhole slot until the chain is tight. Secure the other side of the ladder in the same manner.

Descending the Ladder

To unchain the ladder, with one hand on the ladder, use the other hand to lift the chain up through the keyhole until free. Unchain the other side of the ladder in the same manner.