

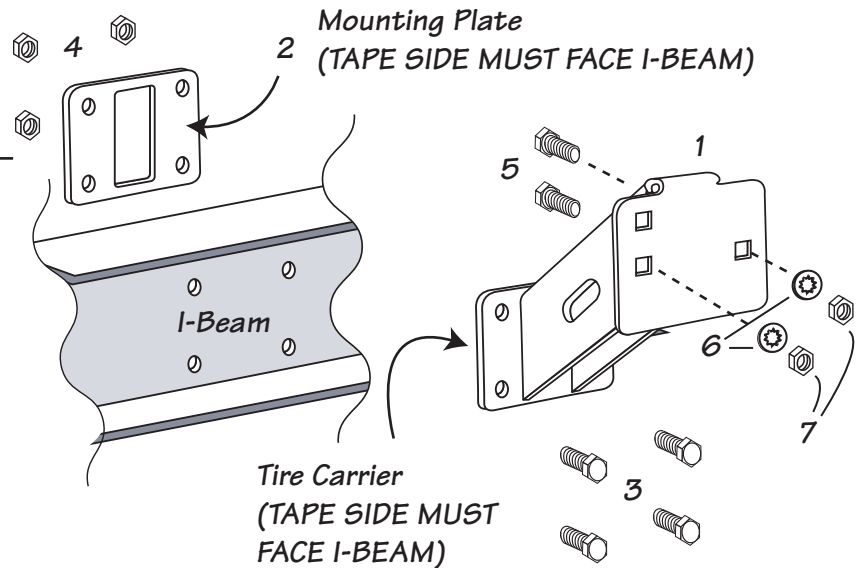
# Spare Tire Carrier for Aluminum I-Beam Frame Trailers - Galvanized

## Installation Instructions

### Part #86064

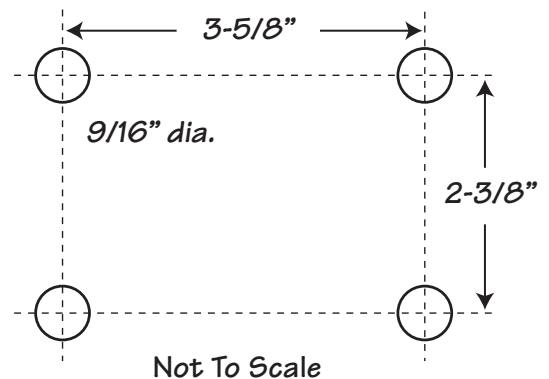
This kit contains the following components:

#	Qty.	Part #	Description
1	1	48048	Spare Tire Carrier
2	1	48059-4	Backing Plate
3	4	10806	Bolts 1/2" x 1-1/2"
4	4	10645	Nylock Nuts 1/2"
5	2	10863	Carriage Bolt 1/2" 20 x 1-3/4"
6	2	10640	Bolt Retainer
7	2	10641	Lug Nut 1/2" - 20



- Using the spare tire carrier and spare tire as a guide, determine a suitable mounting location on trailer I-beam. Using a felt tip marker, mark drill hole patterns for the four mounting holes.
- Drill four 9/16" holes through the I-beam.
- In order to avoid galvanic corrosion it is recommended to cover the surface of the tire carrier and mounting plate that come into contact with aluminum I-beam with cloth type duct tape.
- Place the carrier against the I-beam. Align mounting holes with hex head bolts.
- Place the mounting plate against the outside of the frame with the 1/2" bolts.
- Hand tighten nyloc nuts.
- Using the spare tire to determine the correct holes to use, place the carriage bolts provided for mounting the spare tire in the holes of the rectangular plate. Bolt heads should be on the back side of the tire carrier. Secure bolts with "star" washers.
- Check position of the tire mount for proper clearance with the spare tire before tightening bolts.
- Tighten remaining nuts and bolts on the I-beam.
- Mount spare tire and tighten with lug nuts.

Drill hole measurements:



Instructions #08073 (A878 - Rev. 3/15/19)