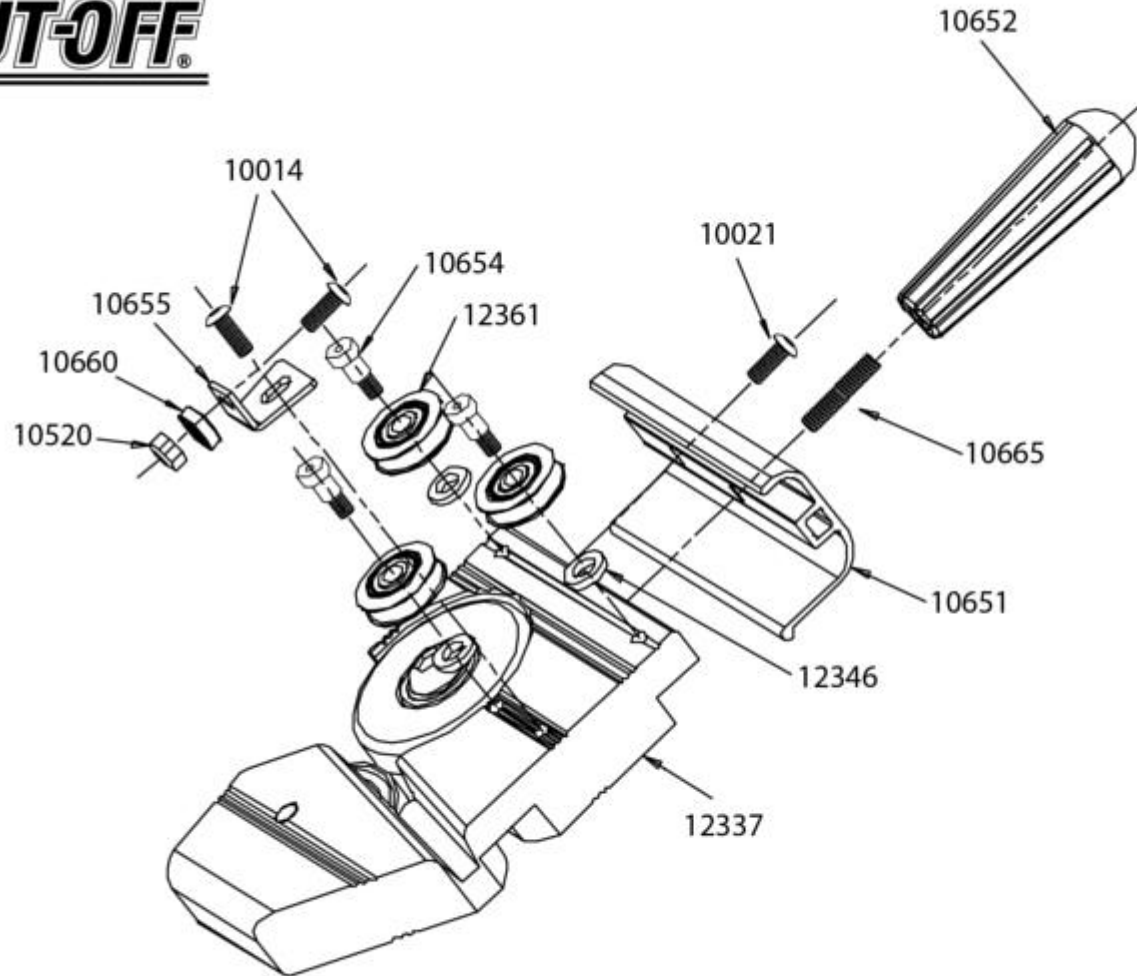


Specifications

PORT-O-SLITTER
CUT-OFF®



Specifications

Tapco Port-O-Slitter Cut-Off Replacement Parts	
Item #	Description
10014	¼ -20 5/8" Button Hd Screw
10021	¼ -20 1" Button Hd Screw
10520	¼ -20 Nylon Hex Nut
10651	<u>SCO Cover - In Stock Now! Available Here!</u>
10652	24" SCO Handle
10654	¼ -20 x ¾"Shoulder Bolt
10655	Roller "L" Bracket
10660	SCO Guide Bearing
10665	SCO Handle Stud
11393	Track Bearing Kit (not shown)
12337	SCO Body with Knives ** *Contact Tapco for availability 1-800-521-7567
12346	SCO Track Bearing Shim
12361	SCO Track Bearing(ea)