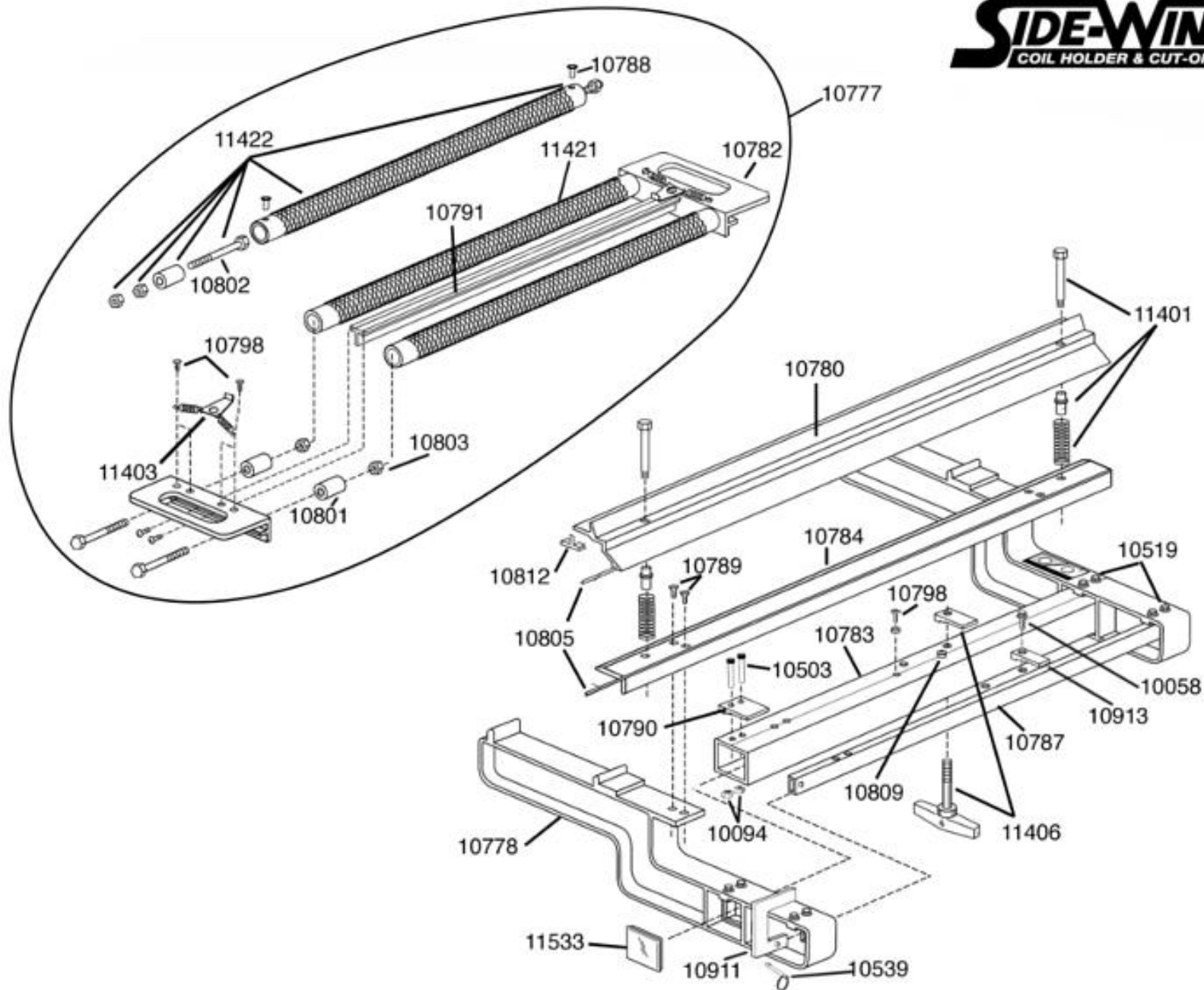


Specifications



Specifications

Tapco Side Winder Replacement Parts	
Item #	Description
10058	1/4"-20 x 1" Hex Washer Head Screw
10094	1/4 -20 Hex Flange Nut
10503	1/4 -20 x 2 1/2" Socket Cap Screw
10519	1/4 -20 x 3/4" Hex Wash Hd Screw
10539	1/4" x 1 1/4" Faspin
10777	Coil Carriage*
10778	Sidewinder Arm
10780	Clamping Rail
10782	Cradle Handle
10783	Middle Support
10784	Clamp Support
10787	Front Support
10788	1/8" Pop Rivet
10789	#10 x 5/8 Phil Fl Hd
10790	Rail Clip
10791	Cradle Rail
10798	10-24 x 3/4 Phil Pan Hd Screw
10801	Roller Tube Insert
10803	Nut
10805	Top Clamp/Support Vinyl
10809	Nylon Spacer
10812	Cut Off Stop
10911	C-Clip
10913	Retainer Clip
11401	Bolt Kit (2) 5/16-18 x 1 3/4" Shoulder Bolt 10785 (2) Clamping Rail Bushing 10810 (2) Anvil Spring 10779
11403	Carriage Roller and Spring Kit (4) Roller/Pivot Spring 10794 (2) Clip 10793

Specifications

11406	Sidewinder Knob and Clip Kit (1) Tension Clip 10792 (1) 5/16-18 x 2 Tee Handle Knob 10795
11421	Replacement Roller Cover Kit (3) Roller Covers 10796
11422	Roller Assembly Kit (1) Cradle Roller 10786 (1) 1/8" pop rivet 10788 (1) Roller Cover 10796 (2) Roller Tube Insert 10801 (2) 5/16-18 x 2 1/4 Hex Bolt 10802 (4) 5/16-18 Nylok Hex Nut 10803
11533	Back Rail Clip
12044	Sidewinder Parts Bag (1) 1/4 20 x 1" Hex Slotted Washer HD Screw 10058 (1) 1/4" x 1 1/4" Faspin 10539 (1) Tension Clip 10792 (1) 5/16-18 x 2 Tee Handle Knob 10795 (1) C-Clip 10911 (1) Retainer Clip 10913