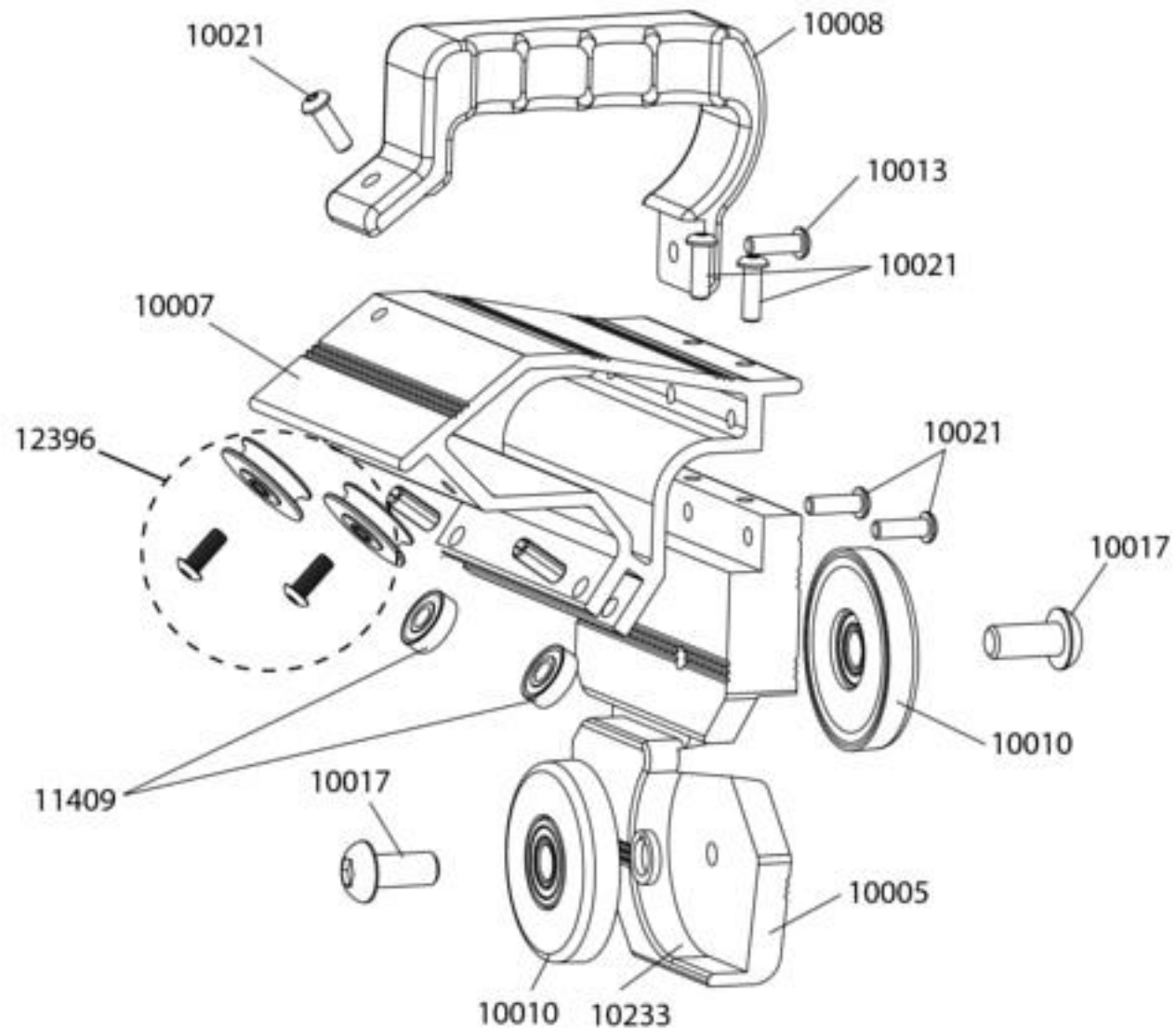


Specifications

PRO CUT-OFF®



Specifications

Tapco Pro Cut Off Replacement Parts	
Item #	Description
10005	Body
10007	Bridge
10008	Handle
10010	Knife Assembly *Contact Tapco for availability 1-800-521-8486
10013	¼ -20 x 1-¼" Button Hd Screw
10021	¼ -20 x 1" Hex Button Hd Screw
10233	.25 washer/shim ** *Contact Tapco for availability 1-800-521-8486
10519	¼ -20 x ¾" Hex Wash Hd Screw (not shown)
11393	Track Bearing Kit (not shown)
11404	Material Stop Kit (not shown) (2) Material Stop 10740 (2) 1/4-20 Knurled Knob 12303 (2) Cut-Off Tape Measure 10023
11409	Cut-Off Guide Bearing Kit (2) Guide Bearing 10016 (2) 5/16" Roll Pin 10015
12396 - Click Here In Stock Now!	Flange Track Bearing Kit* (2) 12334 Rollers (2) 12364 Screws and matching nuts