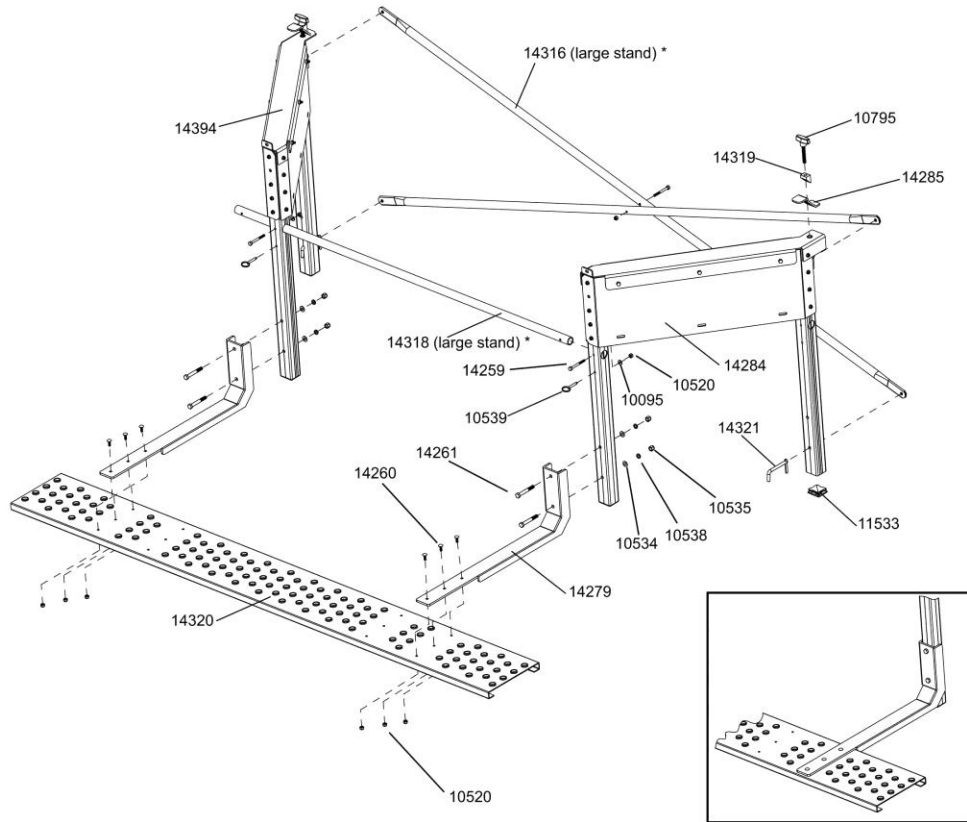


Specifications



Item #	Description	Item #	Description
10095	1/4" Flat Washer	14284	Right Stand Leg Assembly
10520	1/4 -20 Nylock Nut	14285	Back Rail Clamp
10534	3/8" Flat Washer	14316	Rear Cross Tube (large Stand)
10538	3/8" Lock Washer	14318	Front Support Tube (large Stand)
10539	1/4" x 1 1/4" Faspin	14319	Back Rail Clamp Wedge
10795	3/8-16 x 2 1/2" T-Knob	14320	Counter Balance Step
11533	Back Rail Endcap	14321	Toggle Pin
14259	1/4 -20 x 2 1/2" Bolt	14394	Left Stand Leg Assembly
14260	1/4 -20 x 3/4" Carriage Bolt		
14261	3/8-16 x 2 3/4" Bolt		
14279	Counter Balance Step Bracket		

Specifications

Tapco MX Stand Replacement Parts			
Item #	Description	Item #	Description
10095	¼" Flat Washer	14284	Right Stand Leg Assembly
10520	¼ -20 Nylock Nut	14285	Back Rail Clamp
10534	3/8" Flat Washer	14316	Rear Cross Tube (large stand)
10538	3/8" Lock Washer	14318	Front Support Tube (large stand)
10539	¼" x 1¼" Faspin	14319	Back Rail Clamp Wedge
10795	3/8-16 x 2 ½" T-Knob	14320	Stand Counter Balance Bracket
11533	Back Rail Endcap	14321	Toggle Pin
14259	¼ -20 x 2 ½" Bolt	14394	Left Stand Leg Assembly
14260	¼ -20 x ¾" Carriage Bolt	14402	Front Support Tube (small stand)
14261	3/8-16 x 2 ¾" Bolt	14403	Rear Cross Tube (small stand)
14279	Stand Counter Balance Bracket		