



INSTALLATION GUIDE

Prestige



IMPORTANT **READ THIS FIRST**

- Inspect stair for any damage prior to installation.
- Stair is **NOT** to be installed while home is under construction and used as a construction stair.
- Correct number of treads for floor-to-ceiling height **MUST** be attached. See TABLE A.
- Adjustment Screw on stabilizer arm **MUST** be set before climbing stair. This adjustment provides structural support necessary for use. See page 8.

Failure to follow any or all of these guidelines can result in damage to the stair and will void the warranty.

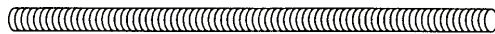
***If you have any problems or concerns with stair,
call SP Partners LLC immediately at 877-369-6996***

Tools / Materials Required

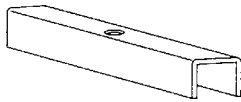
Drill, tape measure, 1/4" wood drill bit, hammer, crescent wrench, wood shims, ladder, lumber with same dimensions as joists, keyhole saw or utility knife to cut ceiling material.

Parts Included

(4) 3/8" Threaded Rod



(4) Joist Hanger



(8) 3/8" Hex Nut



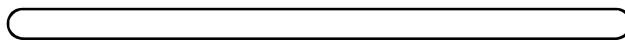
(10) 3" Lag Screw



(1) Door Hook



(1) Wood Pole



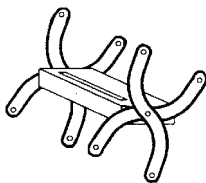
(2) 1/2" Wood Screws



For attaching hook to pole

(2) Extra Steps

(Only 1 extra step for Model # M2254H & M3060H)



Read instructions carefully and completely before beginning installation.



WARNING

- *This stairway is for residential use only.*
- *Maximum capacity is 350 lbs.*
- *Installer should be experienced in the construction or modification of structural framing supports. Improper installation can result in stair collapse and bodily injury.*
- *Determine location of electrical lines or plumbing before cutting ceiling.*

Table A

MODEL #	COLOR	ROUGH OPENING SIZE	FRAME DIMENSIONS	TREAD WIDTH	FLOOR TO CEILING HEIGHT RANGE	NUMBER OF STEPS	PROJECTION	LANDING SPACE
M2236 - as assembled	WHITE	22 1/2" x 36"	22" X 35 1/2"	12"	7'-4" to 8' - 2"	9	24"	45"
- Add one step					Over 8' - 2" to 9' - 0"	10	30"	47"
- Add two steps					Over 9' - 0" to 9' 10"	11	35"	49"
M2254 - as assembled	YELLOW	22 1/2" x 54"	22" x 53 1/2"	12"	7'-4" to 8' - 2"	9	8"	50"
- Add one step					Over 8' - 2" to 9' - 0"	10	12"	53"
- Add two steps					Over 9' - 0" to 9' 10"	11	16"	57"
M2254H - as assembled	ORANGE	22 1/2" x 54"	22" x 53 1/2"	12"	9' - 10" to 10' - 8"	12	24"	61"
- Add one step					Over 10' - 8" to 11' - 6"	13	28"	65"
M2554 - as assembled	BLUE	25 1/2" x 54"	25" x 53 1/2"	14"	7'-4" to 8' - 2"	9	8"	50"
- Add one step					Over 8' - 2" to 9' - 0"	10	12"	53"
- Add two steps					Over 9' - 0" to 9' 10"	11	16"	57"
M3060S - as assembled	GREEN	30" x 60"	29 1/2" x 59 1/2"	16"	7'-4" to 8' - 2"	9	2"	50"
- Add one step					Over 8' - 2" to 9' - 0"	10	6"	53"
- Add two steps					Over 9' - 0" to 9' 10"	11	10"	57"
M3060H - as assembled	RED	30" x 60"	29 1/2" x 59 1/2"	16"	9' - 10" to 10' - 8"	12	19"	61"
- Add one step					Over 10' - 8" to 11' - 6"	13	23"	65"

Stairs must have the correct number of treads for ceiling heights shown for each model above.

Stair angle is fixed. Do not add or remove treads solely for changing the angle of the stair. This will cause an unsafe condition and damage stair.

Locating the Stair

Determine whether the chosen location allows sufficient “projection” and “landing space” for your unit. See Figure 1 and TABLE A.

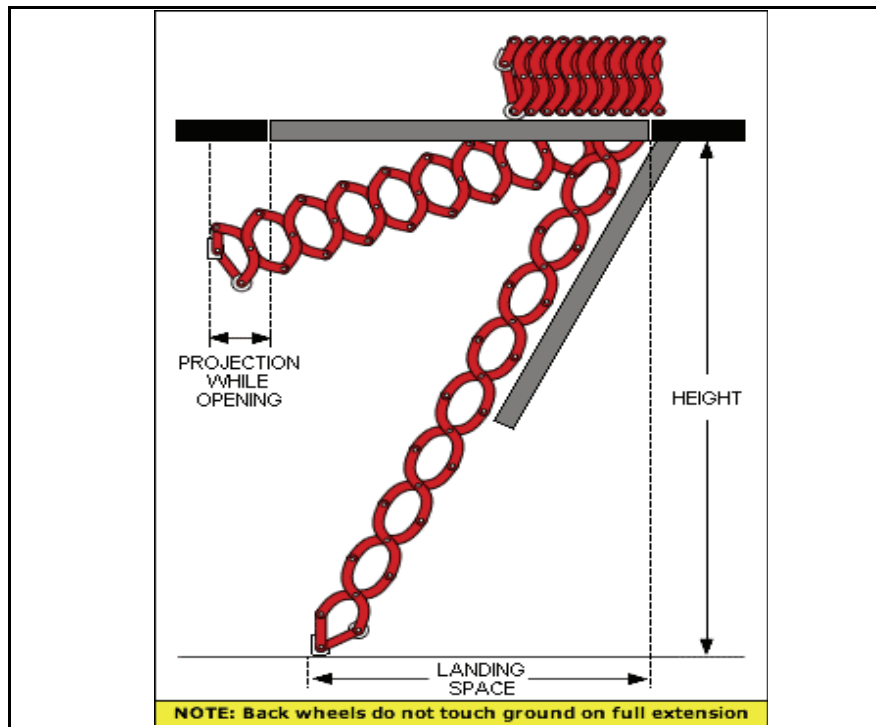


Figure 1

Preparing the Opening

1. Mark out the rough opening size for your unit according to TABLE A. **Note that the finished metal trim extends about 2” beyond the rough opening when the unit is installed (Figure 2). Allow clearance for this on all four sides.**
2. Cut the rough opening through the ceiling material.

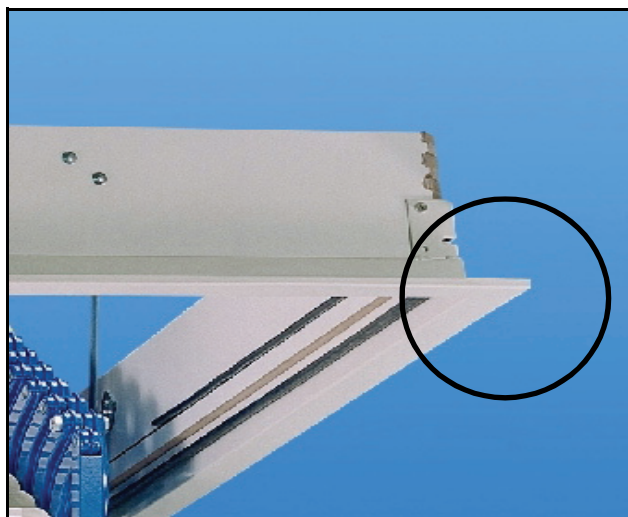


Figure 2

Framing the Opening

Most attic stairs will be installed parallel to the ceiling joists (Figure 3). In cases where they are installed perpendicular to joists (Figure 4), some joists will need to be cut and tied-in to other joists with 2" x 6" or 2" x 8" "headers". These headers will form the box frame into which the stair will be secured.



WARNING

- *Before cutting any joists, watch out for electrical wiring.*
- *If your attic is constructed using trusses, DO NOT CUT CEILING JOISTS WITHOUT CONSULTING AN ENGINEER AND OBTAINING APPROVAL.*

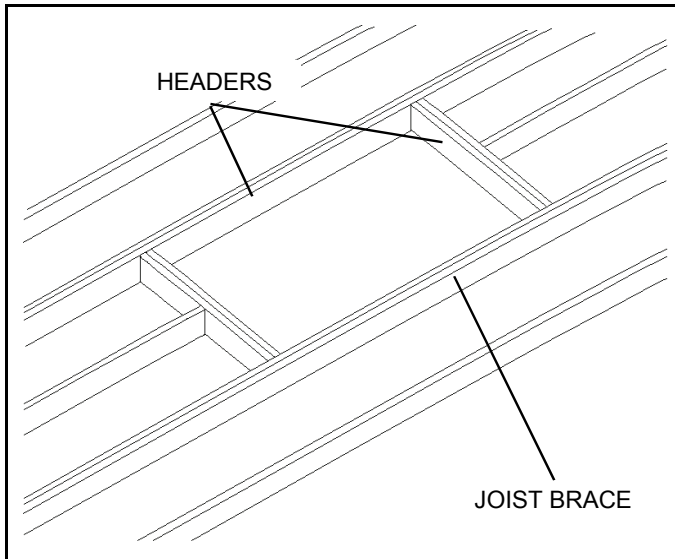


Figure 3

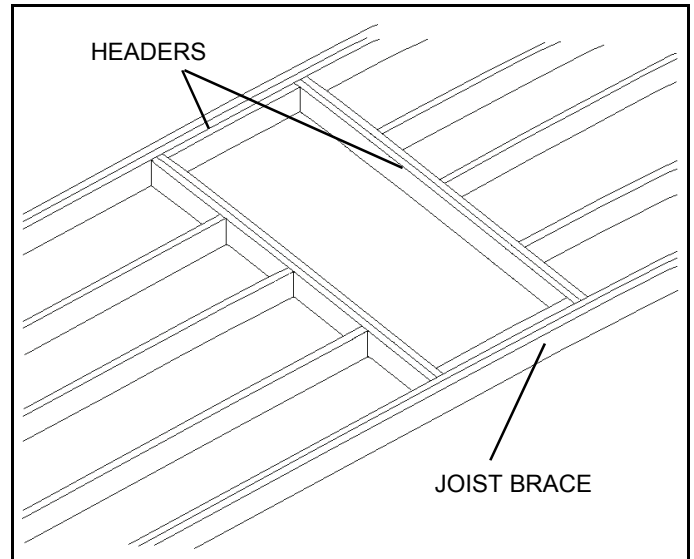


Figure 4

Preparing the Stair

Insert hex nuts provided into slot in metal frame corner and insert threaded rod into channel. Thread rod into nut as far as possible. Repeat process for all corners. See Figure 5.

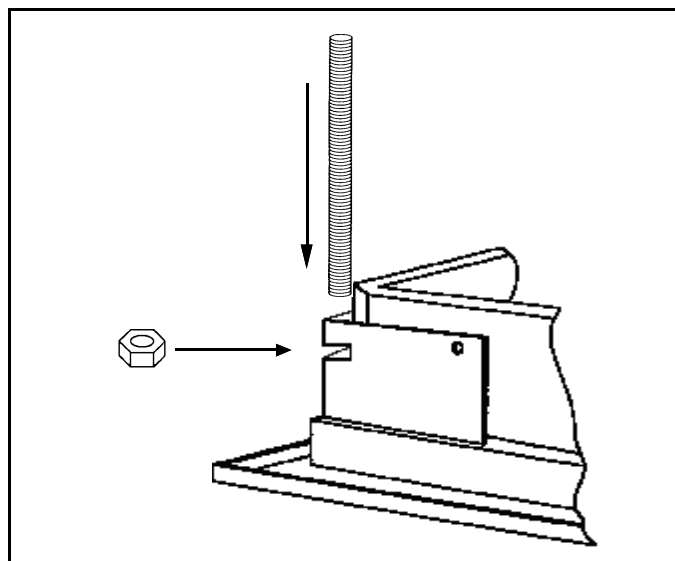


Figure 5

Installing the Stair



WARNING

- **Be sure that there is adequate light in the attic since the stair will block any light from the room below when raised into place.**
- **Make sure door is closed and latch is engaged**
- **DUE TO ITS WEIGHT, TWO ADDITIONAL HELPERS MUST BE USED TO SAFELY RAISE STAIR INTO OPENING AND HELD FOR A FEW MOMENTS UNTIL TEMPORARILY ANCHORED BY INSTALLER ABOVE.**

1. Person in attic should have the four joist hangers and hex nuts ready.
2. Have two additional helpers below lift the stair straight up into the framed opening until the tops of the threaded rods clear the top of the frame opening headers.
3. Starting at one end, slide a joist hanger onto the threaded rod and thread nut down until there is only about 1/2" slack. **Do not tighten fully.** Turn joist hanger at a 45 degree angle to span the frame corner. Figure 6. Repeat the process until all hangers are installed. With hangers holding stair in place, helpers can let go.
4. Square stair to frame. Try to maintain an even gap all around between stair and headers.
5. Tighten nuts in stages all around. Do not over-tighten as this may distort metal trim on ceiling side.
6. Attach door opening hook to wood dowel using (2) 1/2" wood screws. Figure 7.
7. Door can now be opened but **DO NOT EXTEND OR STAND ON STAIR YET.**

Note: Rainbow "Prestige" stairs are designed to be installed with both steel joist hangers and lag bolts. Do not install with lag bolts alone.

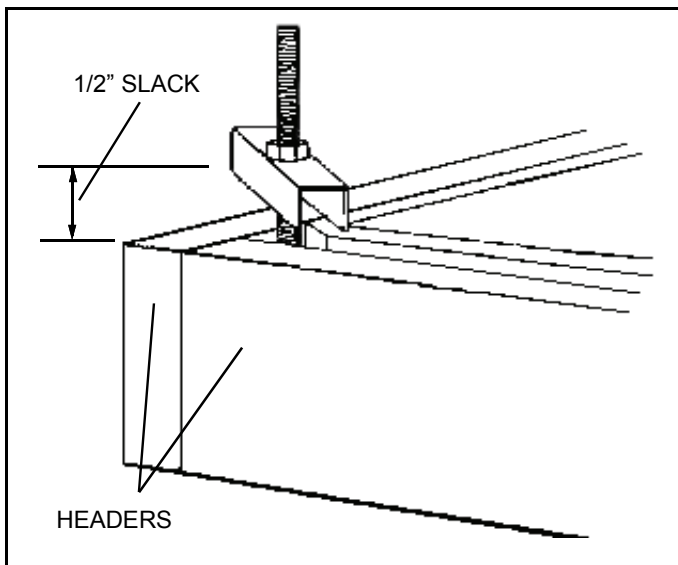


Figure 6

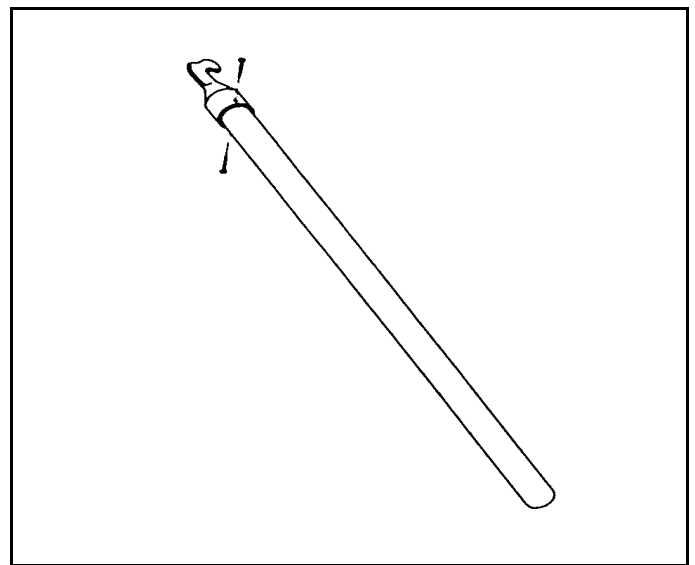


Figure 7

Final Adjustments



WARNING

*Before the stair can be climbed on, **two critical adjustments must be made** as shown in the following steps. Failure to follow these guidelines will result in damage to the stair and void the manufacturer's warranty.*



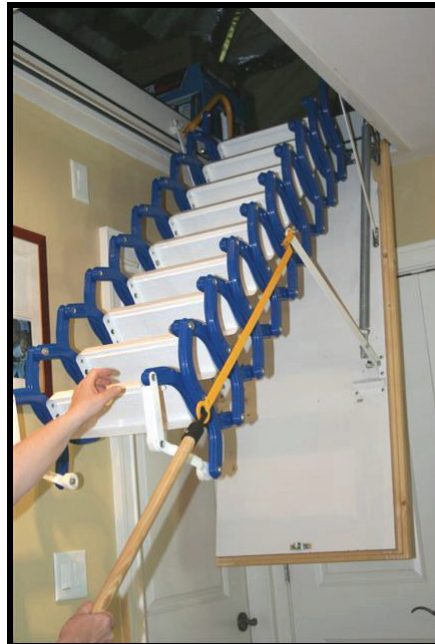
1. Insert hook provided into receptacle on door and pull door down until fully open.



2. Grab yellow pull bar with hook.



3. Pull slowly to extend stair



4. When stair is within reach, continue pulling slowly by hand to unfold.



Final Adjustments - continued

Adding Additional Step(s)

Determine the correct number of steps required for your floor-to-ceiling height (See Table A on page 3).

If no additional steps are needed, skip this section.

1. With stair fully extended to floor, detach bottom step by removing the four bolts, washers and sleeves. Figure 8. This tread will be added back at the end.
2. Attach step(s) by reinserting sleeves, washers and bolts. Figure 9. (Additional hardware is provided)
3. Add back bottom step. Wheels should be in the back. **These wheels do not touch floor when stair is fully extended. They are only to protect door when the stair is folded.**

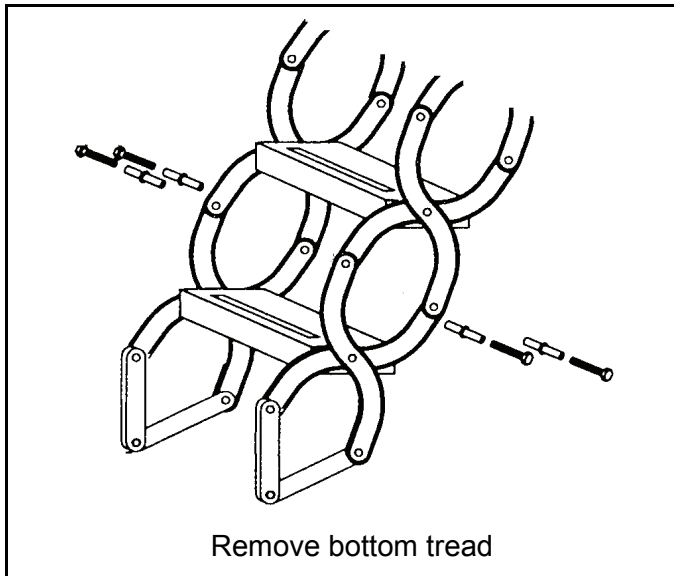


Figure 8

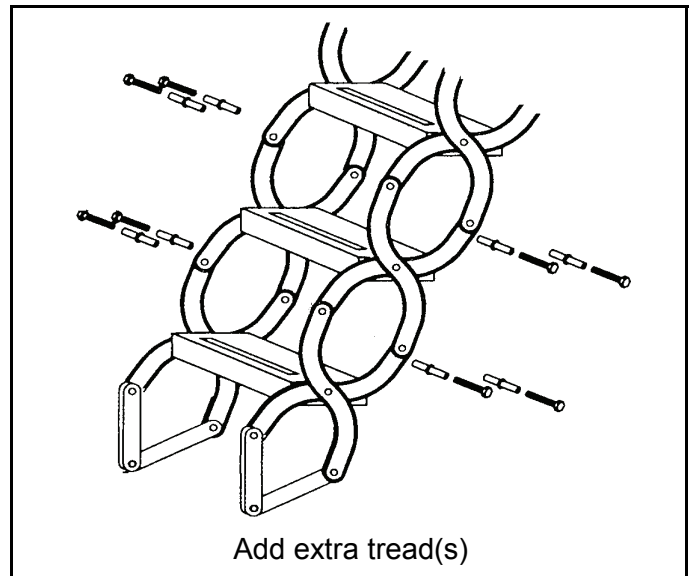
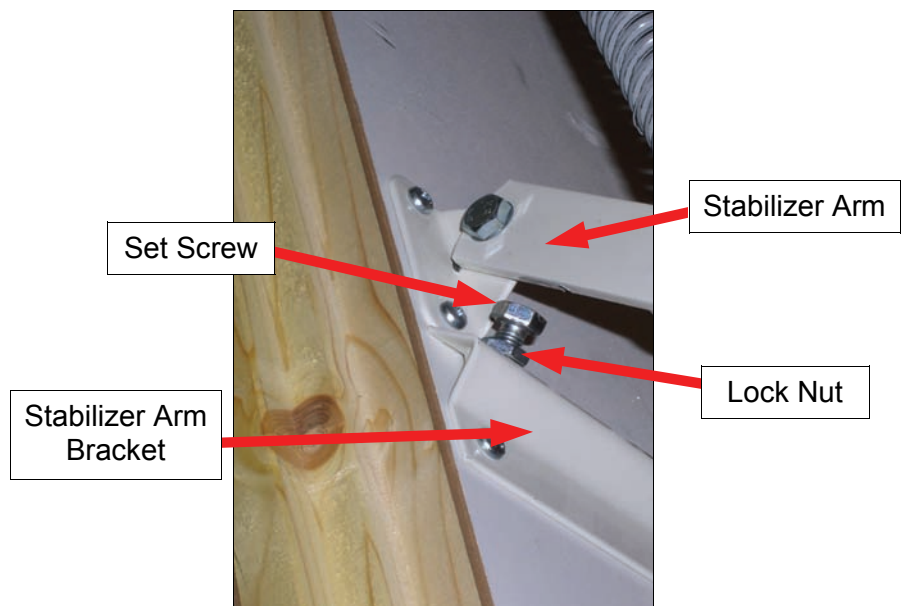


Figure 9

Adjusting Set Screw

With stair fully extended to floor, raise or lower the set screws on the stabilizer arm until the screw head makes contact with the bottom of the stabilizer arm. Tighten lock nut to keep it secure.

Note: Screws set too high will prevent stair from making contact with floor and create leverage that can pull stabilizer arm bracket from door.



Final Adjustments - continued

Lag Bolting The Frame

Mark location of lag screws. Pre-drill pilot holes, shim and screw stair frame to headers using three lag screws on each long side and two on each end. Figure 10.

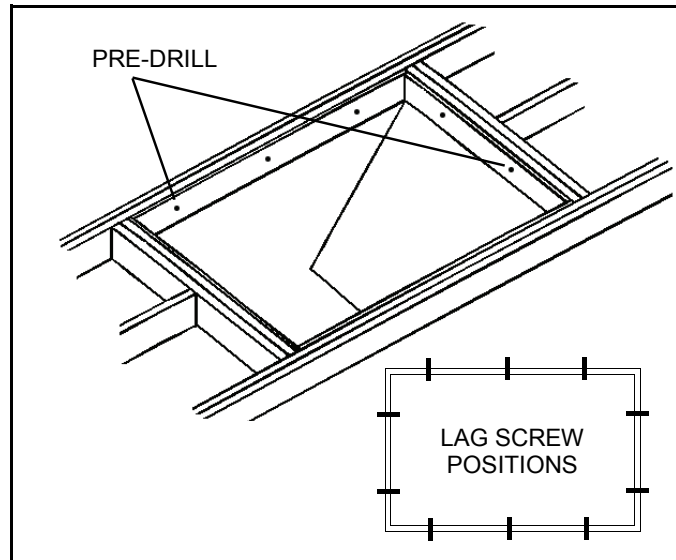


Figure 10

Operating the Stair

Refer to pictorial label on inside of door.

Congratulations!

You are now ready to begin using your Rainbow Attic Stair. As with any product, be sure to follow instructions for safe, efficient and trouble-free operation for years to come.

***** Children should never be allowed to operate or climb any attic stair. *****

Congratulations!

You are now ready to begin using your Rainbow Attic Stair. As with any product, be sure to follow instructions for safe, efficient and trouble-free operation for years to come.

****** Children should never be allowed to operate or climb any attic stair. ******

LIMITED WARRANTY

*SP Partners, LLC warrants that the unit will be free from any defects in material and workmanship for **one year** from purchase date provided that the stair is installed in compliance with the preceding instructions and operated and maintained in accordance with these instructions and applicable warnings.*

This warranty specifically excludes any and all non-defect damage, any and all damage, injuries and losses arising from improper installation of this product, unreasonable use to include exceeding the specified weight limitations, and any and all labor charges incurred for removing or reinstalling a repaired stair unit or any of its components.

During the warranty period stated, should the stair unit or any of its components exhibit a manufacturing defect please first call SP Partners, LLC at 877-369-6996 before dismantling the product in order to determine the extent of the defect and what course of action needs to be taken to correct the problem. A proof of purchase will be required in all cases.

ADDITIONAL EXCLUSIONS

SP Partners, LLC's above-stated express limited warranty is being made in lieu of all implied warranties of any kind, including those as provided by the Uniform Commercial Code for merchantability of the product and for fitness of the product for a particular purpose. All such implied warranties, including those of merchantability and/or fitness for a particular purpose, are excluded and disclaimed. Furthermore, all claims for consequential damages and for incidental damages that may arise from a breach of the above-mentioned express warranty are also excluded. In no event shall SP Partners, LLC be liable for any breach of warranty and/or for any negligence and/or for any strict liability which would exceed in damage amount the cost of the stair unit.

No representative or person is authorized to assume for SP Partners, LLC, any responsibility which would be either an alternative to or in addition to the express product warranty as stated above. This warranty gives you certain specific legal rights as were set forth above and any other rights that may vary from state to state. If any portion of this express warranty is deemed to be unenforceable at any time hereafter, any such provision shall be severed from this agreement, but all other terms, conditions and provisions shall remain in full force and effect.

SP Partners, LLC

Tel: 877-369-6996

Website: www.RainbowAtticStair.com

Email: info@RainbowAtticStair.com