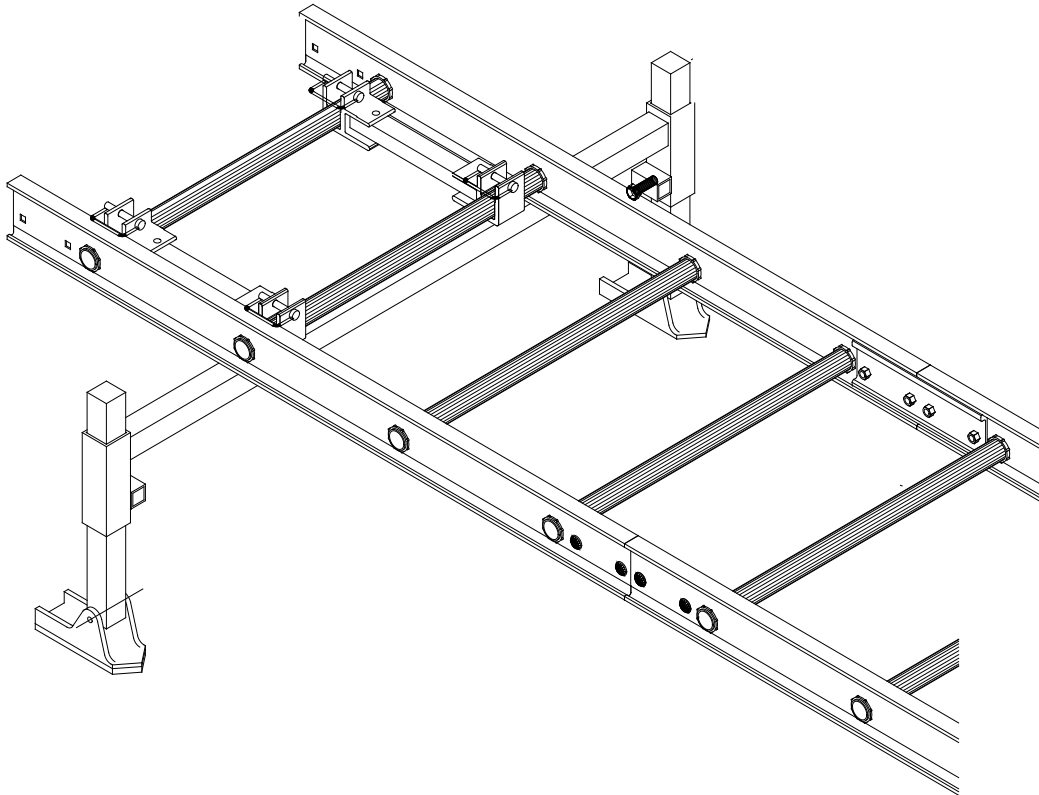




PPH 400 ROOF SUPPORT INSTRUCTIONS



REIMANN & GEORGER CORPORATION
HOISTING PRODUCTS
P/N 6102098

BUFFALO, NY
08/06/13

TABLE OF CONTENTS

CHAPTER	DESCRIPTION	PAGE
1	SAFETY	1
1.1	Introduction	1
1.2	Safety Definitions	1
1.3	Pivoting Platform Hoist Safety Labels.....	1
1.4	Pivoting Platform Hoist Safety Rules	1
2	SPECIFICATIONS	3
2.1	Pivoting Platform Hoist Roof Support Specifications	3
3	INSTALLATION AND SETUP	4
3.1	Prior to Setup.....	4
3.2	Roof Support Assembly.....	4
3.3	Mounting the Roof Support	5
4	PARTS LIST	6

LIST OF FIGURES

FIGURE	DESCRIPTION	PAGE
3-1	Roof Support Assembly.....	4
3-2	Roof Support to Track Assembly	5
4-1	Roof Support & Track Assembly.....	6

1 SAFETY

1.1 INTRODUCTION

Your Reimann & Georger Corporation Pivoting Platform Hoist PPH400 has been engineered to provide lifting performance, long term economics and safety advantages that no other type can match. However, even a well-designed and well-built hoist can malfunction or become hazardous in the hands of an inexperienced and/or untrained user. Therefore, read this manual, and related equipment manuals thoroughly before operating your hoist to provide maximum safety for all operating personnel, and to get the maximum benefit from your equipment.

1.2 SAFETY DEFINITIONS

A safety message alerts you to potential hazards that could injure you or others or cause property damage. The safety messages or signal words for product safety signs are **DANGER**, **WARNING**, and **CAUTION**. Each safety message is preceded by a safety alert symbol and is defined as follows:

DANGER: Indicates an imminently hazardous situation which, if not avoided, **will** cause death or serious injury. This safety message is limited to the most extreme situations.

WARNING: Indicates a potentially hazardous situation which, if not avoided, **could** result in death or serious injury.

CAUTION: Indicates a potentially hazardous situation which, if not avoided, **may** result in minor or moderate injury. It may also be used to alert against unsafe practices and property-damage-only accidents.

1.3 PIVOTING PLATFORM HOIST SAFETY LABELS

These labels warn you of potential hazards that could cause injury. Read them carefully. If a label comes off or becomes illegible, contact Reimann & Georger Corporation for a free replacement.

1.4 PIVOTING PLATFORM HOIST SAFETY RULES

1. Operators must be trained before operating this hoist. A trained person is one who has read and thoroughly understands this instruction manual and related equipment manuals and, through training and experience, has shown knowledge regarding the safe operational procedures.
2. Prior to setting up the hoist there must be a plan of action outlining the work to be accomplished, individual responsibilities, personal protective equipment, and method of communication.
3. All personnel shall be protected by OSHA compliant fall protection where applicable.
4. Never use the hoist structure to anchor life lines, worker's harnesses or other attachments.
5. **Always** use safety footwear, safety glasses, and head protection devices.
6. A good line of communication must be maintained between the hoist operator and the roof crew.
7. Hoisting area is to be kept clear of unauthorized personnel at all times. Place barricades or secure the area in such a manner that if there were an equipment failure, no personnel would be injured.
8. Hoisting area is to be clear of power lines. Consult power company before you work near power lines.
9. Follow the Pre-Hoisting Checklist before operating.
10. Wear heavy leather gloves when handling wire rope.
11. Secure load before lifting.

12. Do not remove material from the platform until it has stopped completely.
13. Keep out from under a raised load.
14. Never stand in-line with the raising or lowering of the platform at either the top or bottom of the hoist track.
15. Never hoist over an open doorway.
16. Never exceed the Rated Load Capacity of 400 pounds for the Pivoting Platform Hoist 400. The Rated Load Capacity is the maximum load that should ever be applied to the hoist.
17. Avoid sudden stops and shock loads.
18. No person shall be allowed to ride on the hoist.
19. NEVER climb the track; use a ladder.
20. Check the hoist periodically during operation. Know how to stop the power drive quickly in case of emergency.
21. Do not attempt to make adjustments while the hoist is being operated.
22. If the engine or motor fails during operation, release control levers to prevent load from falling.
23. Keep all body parts clear of moving parts.
24. Do not operate hoist when brake rope is wet.
25. Do not operate hoist when under the influence of drugs, alcohol, or medication.
26. At end of operation, the hoist should be secured to prevent unauthorized use. Never assume you will find the hoist in the same condition in which you left it.
27. Do not weld or otherwise modify the hoist. Such alterations may weaken the structural integrity of the hoist.
28. Only trained personnel are authorized to do repairs.

2 SPECIFICATIONS

2.1 PIVOTING PLATFORM HOIST ROOF SUPPORT SPECIFICATIONS

MODEL	PPH400
Load capacity	400 lbs.
Support Leg Length	15"
OAL in inches	46"
Minimum Height (top of track to bottom of foot)	13-3/4"
Maximum Height (top of track to bottom of foot)	22-3/4"
Support Leg Adjustment	9" maximum

3 INSTALLATION AND SETUP

3.1 PRIOR TO SETUP

1. Ensure all structural members of the hoist are free of defects and damage that may affect the integrity of the unit.
2. Ensure the hoisting area is secured from all unauthorized personnel.



WARNING:

ENSURE THAT OSHA COMPLIANT FALL PROTECTION IS IN PLACE.



WARNING:

PRIOR TO SETTING UP THE HOIST THERE MUST BE A PLAN OF ACTION OUTLINING THE WORK TO BE ACCOMPLISHED, INDIVIDUAL RESPONSIBILITIES, PERSONAL PROTECTIVE EQUIPMENT, AND THE METHOD OF COMMUNICATION. FAILURE TO DO THIS CAN RESULT IN DEATH, SERIOUS PERSONAL INJURY OR EQUIPMENT FAILURE.



WARNING:

ENSURE THAT ALL BOLTS AND NUTS ARE TIGHTENED SECURELY TO PREVENT EQUIPMENT DAMAGE AND/OR SERIOUS INJURY.

3.2 ASSEMBLING THE PPH ROOF SUPPORT

1. Refer to Figure 3-1 and parts list.

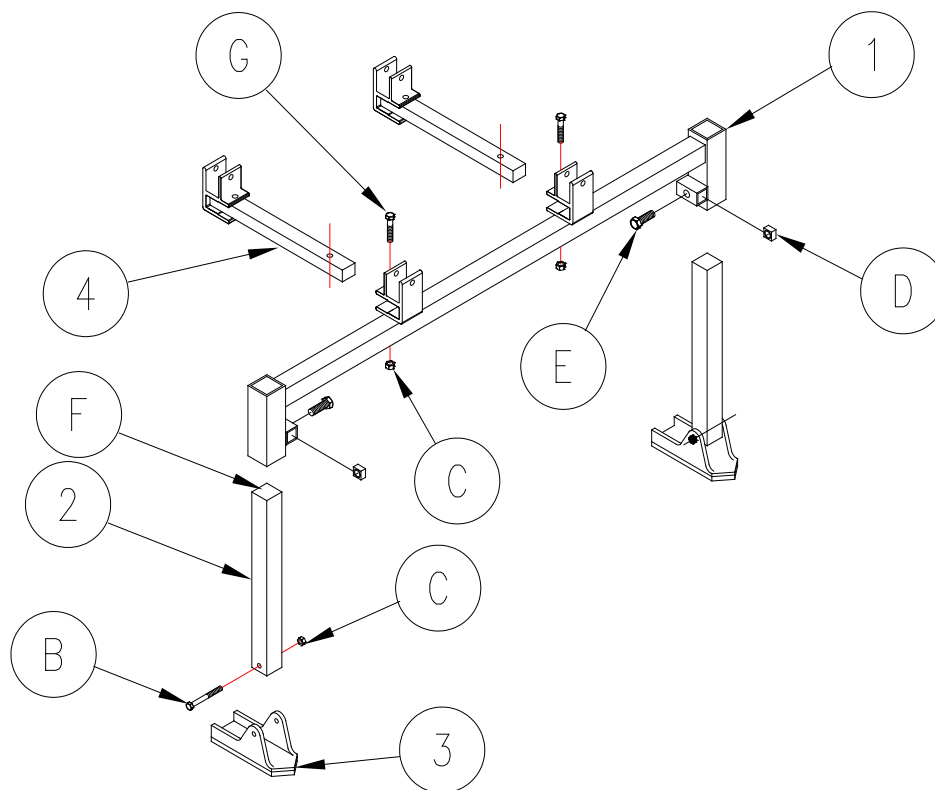
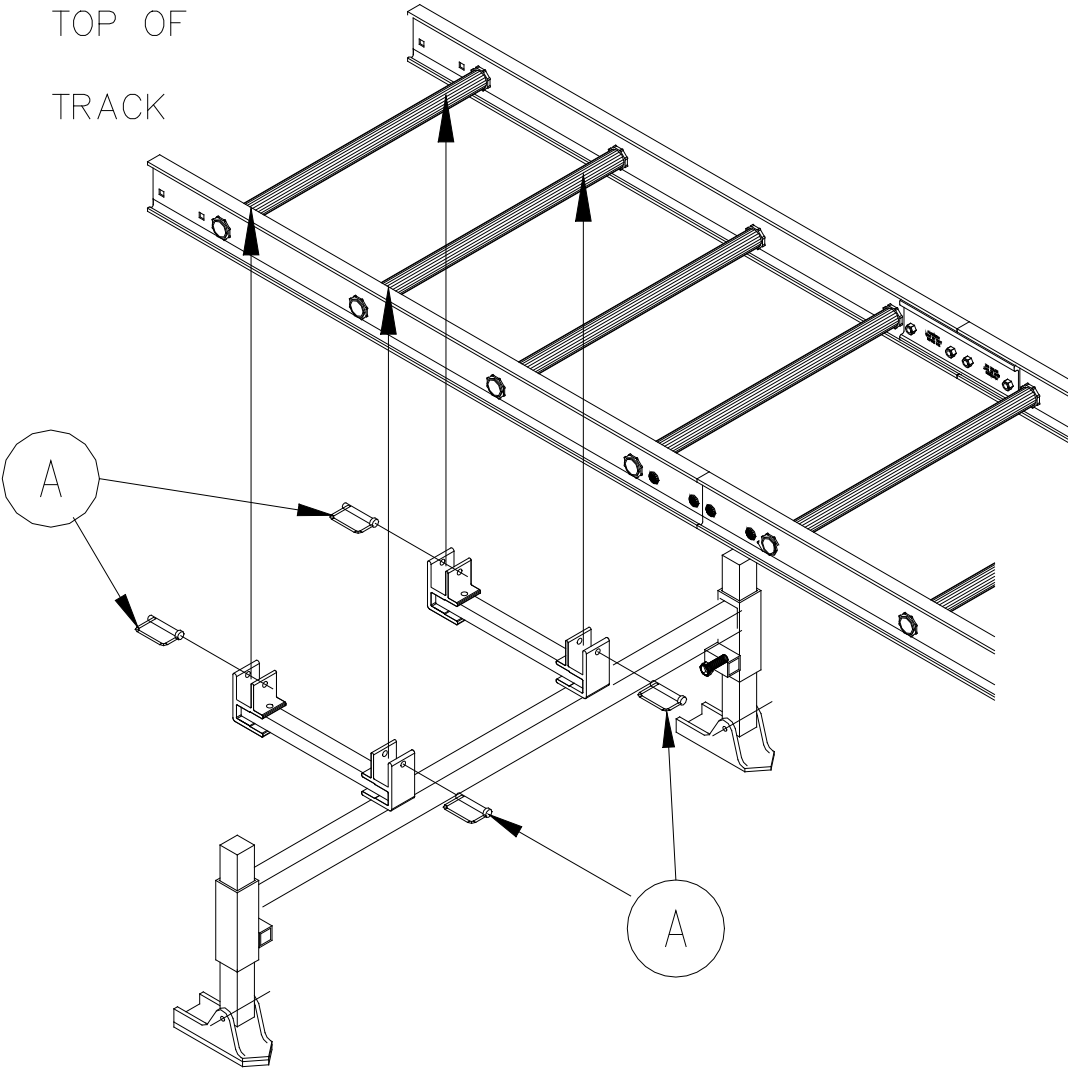


Figure 3-1.
PPH400 Track Roof Support

3.3 MOUNTING THE PPH ROOF SUPPORT

- 1. Refer to Figure 3-2.



**Figure 3-2.
Roof Support Assembly to Upper Track End**

4 PARTS LISTS

Each item number on the following parts lists can be matched with the item number shown on the corresponding assembly drawing as indicated below.

PPH400 ROOF SUPPORT Carton of Parts; Refer to Figure 4-1.

Item Number	Part Number	Quantity	1.1.1.1 Description
1	0410336	1	PPH TRACK SUPPORT BRACKET
2	0410415	2	PPH ROOF SUPPORT LEG 15"
3	0420402	2	PRO TRACK SWIVEL SHOE
4	0410333	2	PPH TRACK CROSSTIE SUPPORT BRACKET
	0410227	1	PPH ROOF TRACK SUPPORT BAG OF BOLTS Consisting of;
A	5800142	4	CLEVIS PIN, 5/16 SQUARED SNAP
B	5806255	2	HHCS 3/8-16 X 3 CZP
C	5806141	4	NUT HEX NYLOCK 3/8-16 CZP
D	5806559	2	NUT SQUARE 1/2-13 CZP
E	5806282	2	HHCS 1/2-13 X 1-1/2 GR5 CZP
F	6403799	2	PLASTIC CAP 1-1/2 SQ
G	5806251	2	HHCS 3/8-16 X 2 CZP

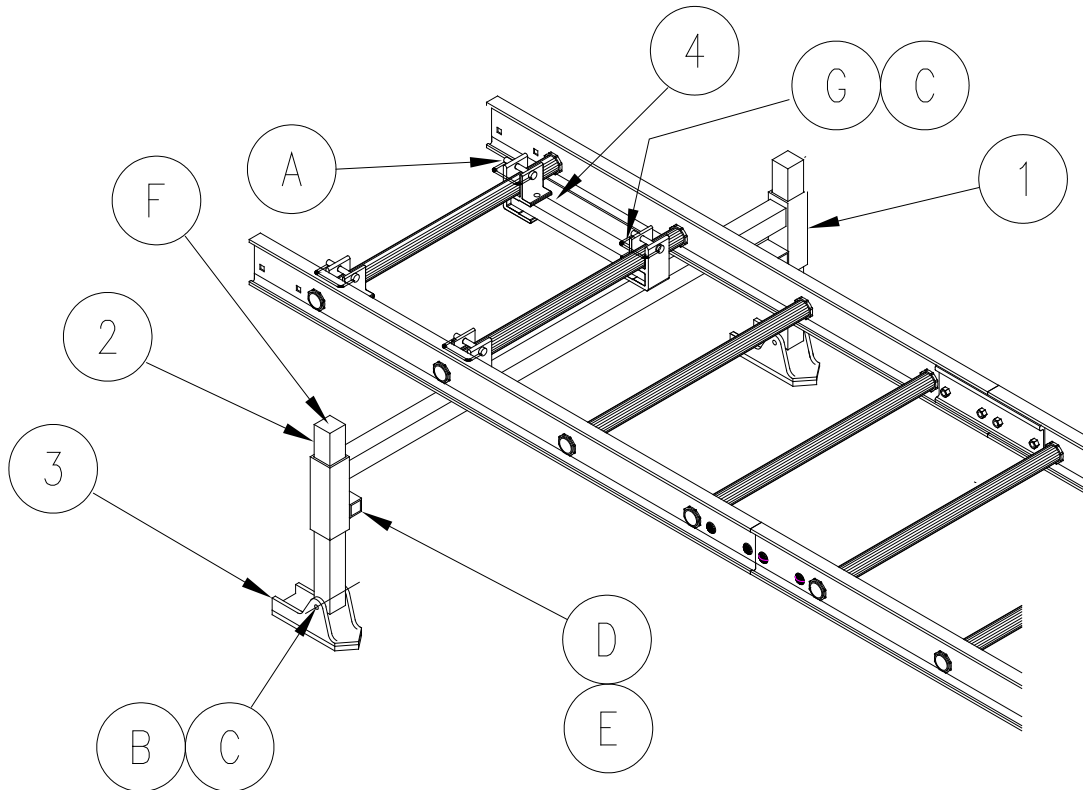


Figure 4-1
PPH400 Roof Support Assembly