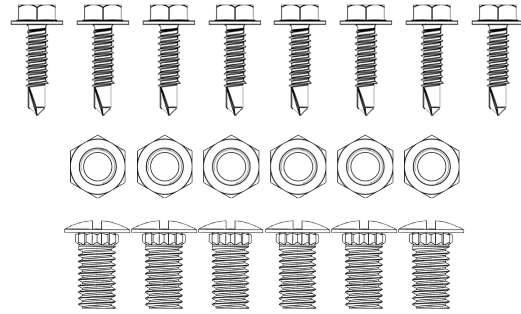


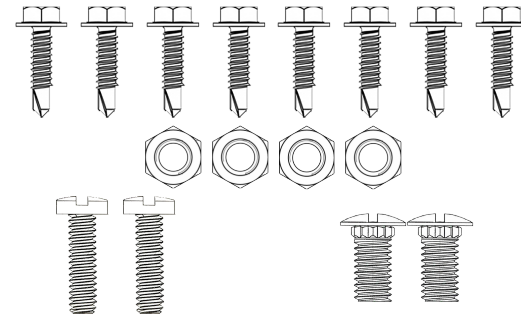
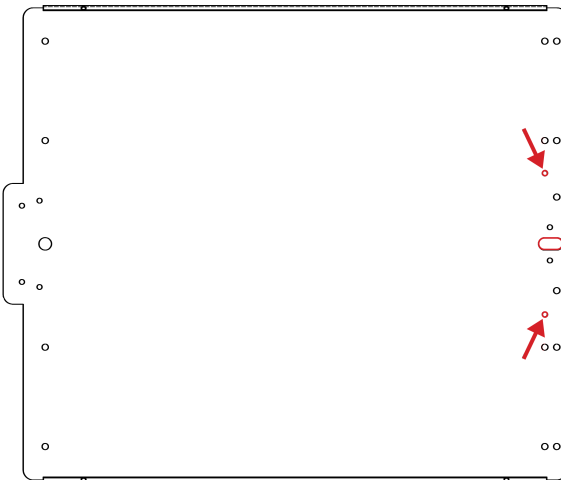
**Step 1:** Determine the hole pattern that matches the panic bar you will be installing on the panic shield & situate the panic shield appropriately.

### PB1100/PB1142 Panic Bar Hole Pattern & Fastening Materials



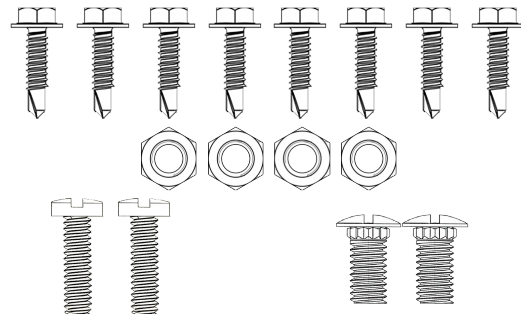
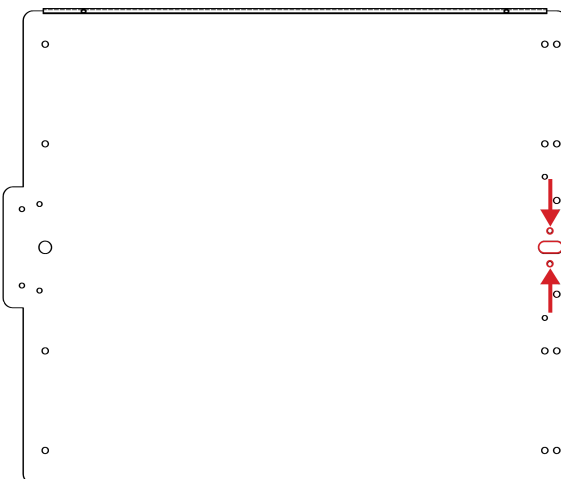
- (8) 1" Stainless Self Drilling Screw
- (6) 1/4" Nylon Insert Lock Nut
- (6) 1/4" x 9/16" Ribbed Track Bolt

### DETEX V40 Series Panic Bar Hole Pattern & Fastening Materials



- (8) 1" Stainless Self Drilling Screw
- (4) 1/4" Nylon Insert Lock Nut
- (2) 1/4" x 1" Pan Phillips Machine Screw
- (2) 1/4" x 9/16" Ribbed Track Bolt

### PB2500/PB2542 Panic Bar Hole Pattern & Fastening Materials



- (8) 1" Stainless Self Drilling Screw
- (4) 1/4" Nylon Insert Lock Nut
- (2) 1/4" x 1" Pan Phillips Machine Screw
- (2) 1/4" x 9/16" Ribbed Track Bolt

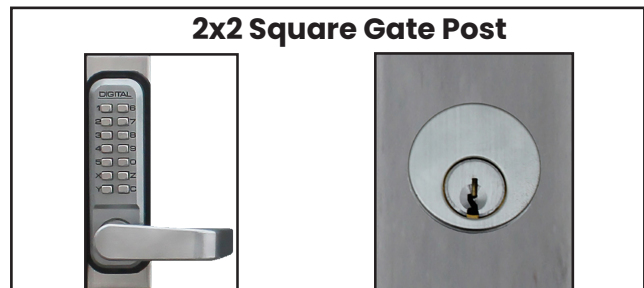
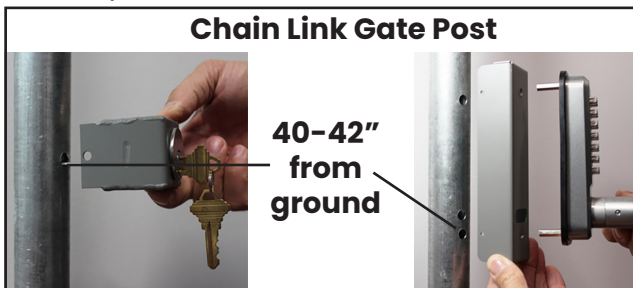
## Step 2: Determine adjusted size of panic shield

All Panic Shields have (1) inside and (1) outside adjustable sliding panel & are designed to be mounted on the inside of the gate. For chain-link gates, leave a space of approximately 1" on each end for the latch and hinges. Panic Shields can be mounted on the left or right side of gates 28"-54" wide (extension plates are available, sold separately). Determine the size of the mounting plate needed for proper installation and make note of expanded panel size. The inside panel is predrilled to fit LockeyUSA PB1100/PB1142, LockeyUSA PB2500/PB2542, or any Detex V40 Series Panic Bar. Measure from stile to stile for maximum width.

**Determine gate side. If using a lock box, install prior to mounting the panic shield on the gate.**

## Step 3: Install lock box (NOTE: Edge style kits require the lock be mounted directly to the gate stile, not the shield)

Install keyed cylinder or keyless panic trim to the outside of the gate. You WILL need to drill mounting and tailpiece holes. Most exit devices need to be installed at a height of 40" – 42". Check your local code for proper height. Measure the correct distance up from the ground/surface and drill tailpiece hole. In most cases, the lock box is installed using the mounting screws supplied with the lock, or by using the provided #10 x ½" self-tapping screws. If mounting the Lockey 285-P, drill top and bottom mounting holes and attach with provided 4mm screws and finish washer, or self-tapping #10 screws. After the lock box is installed to the gate stile, place tailpiece in the proper position. Your gate is now prepped & ready to install the panic exit device.



## Step 4: Fitting the panic bar to the panic shield

Refer to Step 1 of these instructions for proper screws needed to mount the exit device to the shield. Adjust shield to the size determined in step 2. If the exit device is too long for the shield, cut it down to the size needed for proper installation. After the exit device and shield are sized correctly, use the self-tapping screws or drill 1/4" holes and mount the end of the bar using the specified screws.

**PB1100/PB1142:** See Panic Bar Installation Instructions and mount the panic bar using the (4) ¼" x 9/16" Ribbed Track Bolts and (4) ¼" Nylon Insert Lock Nuts included with the panic shield. Make sure the tail piece is centered and is in the proper position. The tail piece MUST be in the proper position to work correctly. Next, adjust the panic shield to the size determined in Step 2. If the panic bar is too long for the panic shield, cut the panic bar down to the size needed for proper installation. After the panic bar and shield are sized correctly, to install the panic bar end cap, drill (2) holes measuring ¼" and bolt it into place with the (2) ¼" x 9/16" Ribbed Track Bolts and (2) ¼" Nylon Insert Lock Nuts.

**PB2500/PB2542:** See Panic Bar Installation Instructions and mount the panic bar using the (2) ¼" x 1" Pan Phillips Machine Screws and (2) ¼" Nylon Insert Lock Nuts included with the panic shield. Make sure the tail piece is centered and is in the proper position. The tail piece MUST be in the proper position to work correctly. Next, adjust the panic shield to the size determined in Step 2. If the panic bar is too long for the panic shield, cut the panic bar down to the size needed for proper installation. After the panic bar and shield are sized correctly, to install the panic bar end cap, drill (2) holes measuring ¼" and bolt it into place with the (2) ¼" x 9/16" Ribbed Track Bolts and (2) ¼" Nylon Insert Lock Nuts.

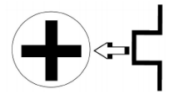
**DETEX V40:** See Panic Bar Installation Instructions and mount the panic bar using the (2) ¼" x 9/16" Ribbed Track Bolts and (2) ¼" Nylon Insert Lock Nuts included with the panic shield. Make sure the tail piece is centered and is in the proper position. The tail piece **MUST** be in the proper position to work correctly. Next, adjust the panic shield to the size determined in Step 2. If the panic bar is too long for the panic shield, cut the panic bar down to the size needed for proper installation. After the panic bar and shield are sized correctly, to install the panic bar end cap, drill (2) holes measuring ¼" and bolt it into place with the (2) ¼" x 1" Pan Phillips Machine Screws and (2) ¼" Nylon Insert Lock Nuts.

**Step 5: Install Panic Bar/Shield on the gate**

Now that your exit device is installed on the shield, you are ready to install the panic shield and exit device to the gate. **IMPORTANT:** Make sure the tailpiece is centered and is in the proper horizontal position. The tailpiece **MUST** be in the proper position to work correctly when placing exit device kit over the tailpiece. You may need to cut tailpiece shorter to avoid binding the locking device.

**For 285-P Keyless Panic Trim:** To properly install a 285-P, you may need to use the supplied U-Shaped Clip in order to restrict the tailpiece from extending through the cross-shaped tailpiece acceptor. If the tailpiece extends beyond the tailpiece acceptor into the panic bar, the system may not function. **The U-Shaped Clip is not needed on all panic devices, but is highly recommended to ensure proper operation on DETEX devices.**

1. Place U-Shaped Clip into the cross-shaped tailpiece acceptor, ensuring that the clip sits flush inside the acceptor.

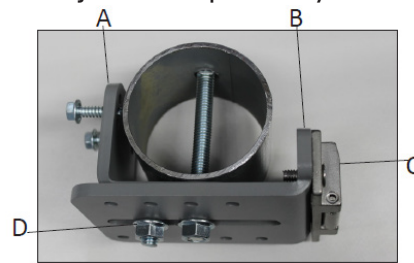


2. Insert supplied tailpiece into the acceptor, ensuring that the U-Shaped Clip restricts the tailpiece from extending through the acceptor. **NOTE:** You may need to cut the tailpiece to ensure that it is the proper length for the lock. **DO NOT** cut the twisted end of the tailpiece. In some cases, you may also need to modify the tailpiece to create additional twist so that the tailpiece fully engages the device.

**Line up tailpiece and place exit device over tailpiece. Make sure tailpiece is level and is not binding. Hold in place while testing lockset. If exit device works properly, secure kit with 1 ¼" self-tapping screws.**

**Step 6: Install Jamb Stop**

Your EDGE Panic Shield Kit comes with a jamb stop. This is used as a gate/strike stop. Place the jamb stop on upper part of the gate post as shown below. This will keep your gate from closing past the strike jamb. You may need to adjust the jamb stop after your Strike Bracket is installed.



**Step 7: Install Strike Bracket (image above)**

Attach the strike (C) to the bracket (B) as shown. With the gate closed, hold strike bracket (B) to the exit device latch and center. Mark a center hole in the elongated bracket hole. Drill a 3/8" hole through the center of the gate post, square with the latch. Attach angle bracket (A) to strike bracket (B) with the 3/8" x 1" carriage bolt (D) as shown. Your strike bracket is now ready to be installed to the gate post. Hold both brackets and secure to the gate post with the provided 3/8" x 3.5" carriage bolt. Adjust so exit device secures itself into strike bracket and tighten both carriage bolts to secure. On edge of gate post, secure angle bracket (A) with self tapping screws for maximum strength.

**Your EDGE PANIC SHIELD KIT should now be installed and working properly.**

**Check to ensure the panic device and lock are functioning correctly.**

**Further installation recommendations can be found on page 4.**

## RECOMMENDATIONS

LockeyUSA recommends installing an EDGE Latch Protector. This will help secure your latch from outside intrusion/tampering.

Latch Protector



LockeyUSA also recommends mounting a Max Guard. The Max Guard should be installed 5"–6" over your exit device. This will also help as a deterrent from outside intrusion/tampering.

Max Guard



For more information about LockeyUSA products, visit [LockeyUSA.com](http://LockeyUSA.com)  
For technical support, call **888.395.0163** or  
contact LockeyUSA via email at [support@lockeyusa.com](mailto:support@lockeyusa.com)

# LOCKEY USA