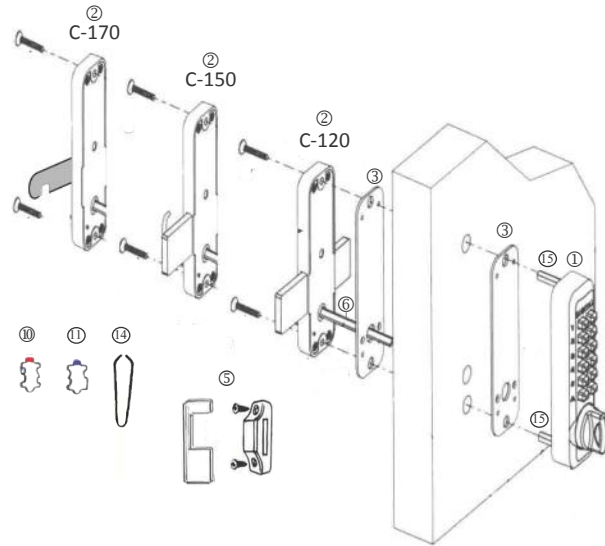




C-SERIES (C-120, C-150, C-170) INSTALLATION INSTRUCTIONS

| No. | Part Name | C-120 | C-150 | C-170 |
|-----|-----------------------------------|-------|-------|-------|
| 1 | Outside Body | 1 | 1 | 1 |
| 2 | Inside Body | 1 | 1 | 1 |
| 3 | Rubber Trim Plate | 2 | 2 | 2 |
| 4 | Mortised Striker (not shown) | 1 | 1 | 0 |
| 5 | Surface Strike Plate | 1 | 1 | 0 |
| 6 | Spindle | 3 | 3 | 1 |
| 7 | Machine Screws M4 x 30, 35 & 40mm | 1 1 1 | 1 1 1 | 1 1 1 |
| 8 | Machine Screw M5 x 20mm | 2 | 2 | 2 |
| 9 | Wood Screw M4 x 16mm | 2 | 2 | 0 |
| 10 | Extra Code Tumblers (Red) | 1 | 1 | 1 |
| 11 | Extra Non-Code Tumblers (Blue) | 2 | 2 | 2 |
| 12 | Thin Door Kit (TDK) (not shown) | 1 | 1 | 1 |
| 13 | Spacers (not shown) | 3 | 3 | 3 |
| 14 | Tweezers | 1 | 1 | 1 |
| 15 | Hex Bolts | 2 | 2 | 2 |



Step 1: Change User Code/Combination (OPTIONAL)

To change user code/combination, see instructions on reverse side.

Step 2: Prep Door for Installation with Template

Place template (supplied) on door and fold along door's edge.

Depending on door configuration, you may need to change handing and/or reverse the bar (C-120) from long to short. See Steps 3 & 4. Drill holes as instructed and mark location for Strike.

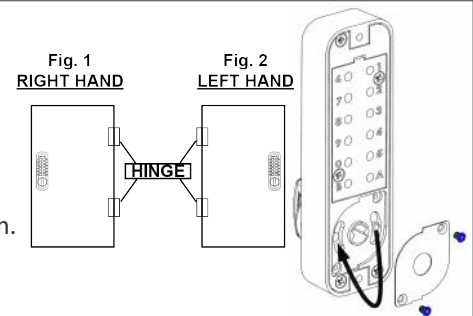
Step 3: Identify Door Handing

Right-Hand Doors – From exterior of door, hinges are on right-side (Fig. 1).

Left-Hand Doors – From exterior of door, hinges are on left-side (Fig. 2).

The C-120, C-150 and C-170 are factory pre-handed for right-hand doors.

To change handing, remove the two blue screws and cover plate from Outside Body (#1) as shown. Next, move the pin from the right side of the Outside Body (#1) to the hole on the left side. Replace plate and screws.



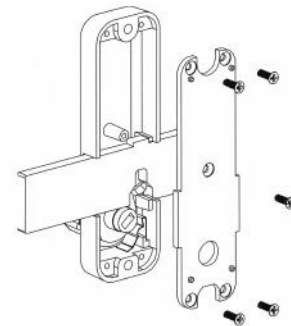
Step 4: Adjust Deadbolt Length (C-120 ONLY, if necessary)

Depending on door configuration, you may need to reverse the bar from long to short.

Remove silver screws and plate from the Inside Body (#2).

Reverse the bar.

Replace plate and secure with silver screws.



Step 5: Verify Correct Spindle Length

Hold the Inside Body (#2) and Rubber Trim Plate (#3) to the door.

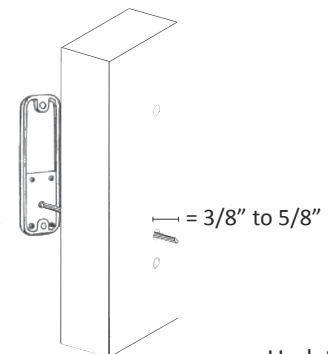
Place Spindle (#6) through door into the Inside Body (#2), as far as possible.

Spindle (#6) should extend from exterior of door 3/8" minimum to 5/8" maximum.

If Spindle (#6) is too long, cut it to the correct length using pliers.

IMPORTANT: If Spindle (#6) extends less than 3/8", it may not engage the lock.

If Spindle (#6) extends more than 5/8", it will cause the lock to bind.



Step 6: Installation

Place the Rubber Trim Plate (#3) on the backside of the Outside Body (#1).
Place the Outside Body (#1) on the door. The Hex Bolts (#15) should extend into the top and bottom holes.
Insert the Spindle (#6) through the door into the spindle hole on the Outside Body (#1).

Place the Rubber Trim Plate (#3) on the backside of the Inside Body (#2).
Place the Inside Body (#2) to the door ensuring that the Spindle (#6) is inserted into the spindle hole.
If the Inside Body is not flush with the Surface Strike (#5) location, use Spacers (#13) to make Inside Body flush with Strike location.
NOTE: If Spacers do not make Inside Body flush with Strike location, you may need to trim the door jamb or mortise the strike.

Insert screws into the top and bottom holes of the Inside Body and secure with a screwdriver.
Test the lock to ensure the Deadbolt/Hookbolt is retracting correctly when turning the inside/outside knob.
Install Strike Plate (#5) (C-120 & C-150 only) in proper position and secure with Wood Screws (#9).

Step 7: For Doors Under 1" Thick (if necessary)

For doors under 1" thick, you will need to cut the Spindle (#6) to the appropriate size. See Step 5 to verify correct spindle length.
Remove Hex Bolts (#15) and use M5 Screws supplied in Thin Door Kit packet to secure lock to door.

Step 8: Using the C-Series Lock

From Outside:

The door will LOCK by turning the thumbturn to extend the deadbolt/hookbolt.
To UNLOCK, turn the thumbturn to clear the lock, enter the combination and turn the thumbturn to retract the deadbolt/hookbolt.
NOTE: If the deadbolt/hookbolt retracts without combination and requires a combination to lock (extend), you may need to change handing. See Step 3.

From Inside:

The door will LOCK and UNLOCK by turning the thumbturn to extend or retract the deadbolt/hookbolt.

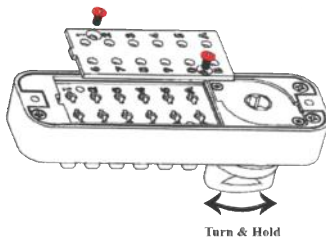


SAVE

How to Change User Code/Combination

- Using a #2 screwdriver, remove the two (2) Red Screws.
- Carefully remove cover plate.

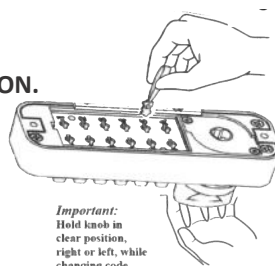
WARNING: Springs are attached to plate.



- TURN & HOLD thumb-turn to right or left 90° to release tumblers.
IMPORTANT: THUMB-TURN MUST be turned 90° and held when removing and inserting tumblers. Failure to do so will damage the lock and void the warranty.

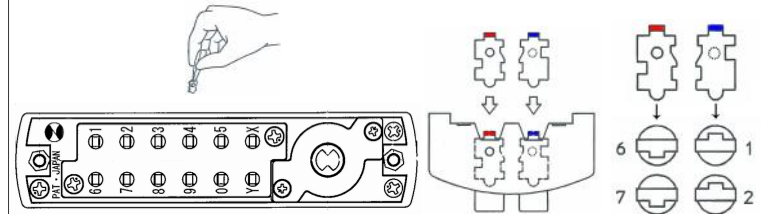
WARNING:

**Do NOT force tumblers into position!
TURNING THUMBTURN 90° = CLEAR POSITION.**

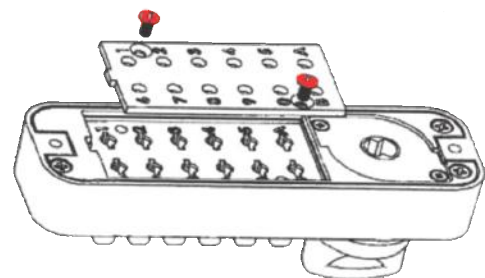


Important:
Hold knob in
clear position,
right or left, while
changing code

- With the thumb-turn held 90° to right or left, remove/add **CODE (Red)** and **NONCODE (Blue)** tumblers to create the desired code.
Ex: 3 Red = 3-Digit Code / 6 Red = 6-Digit Code
- After changing your code, release the thumb-turn to secure the tumblers in place.

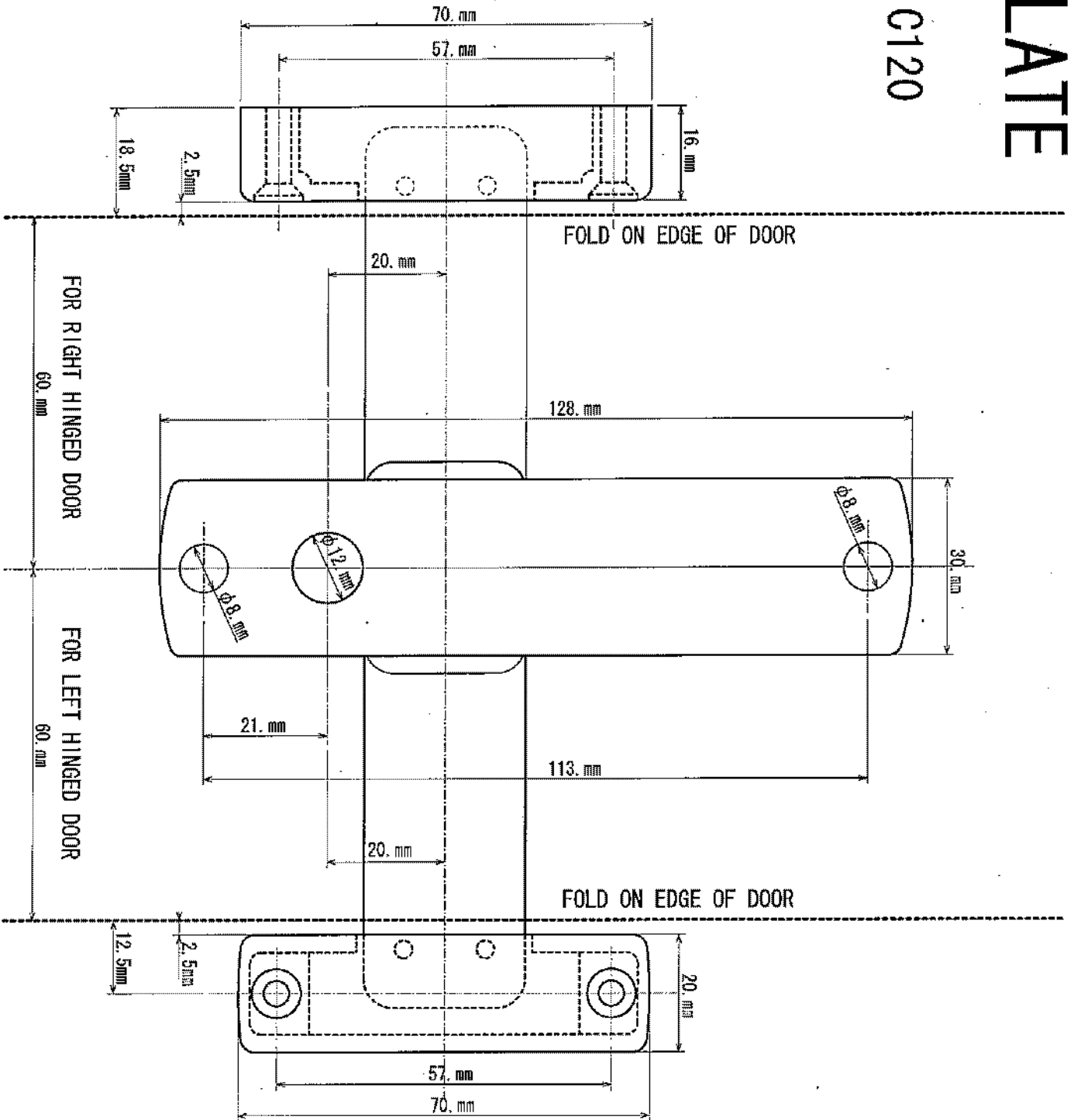


- Replace the cover plate and secure with two (2) Red Screws, using a #2 screwdriver.
- TEST CODE before installing/re-installing lock.



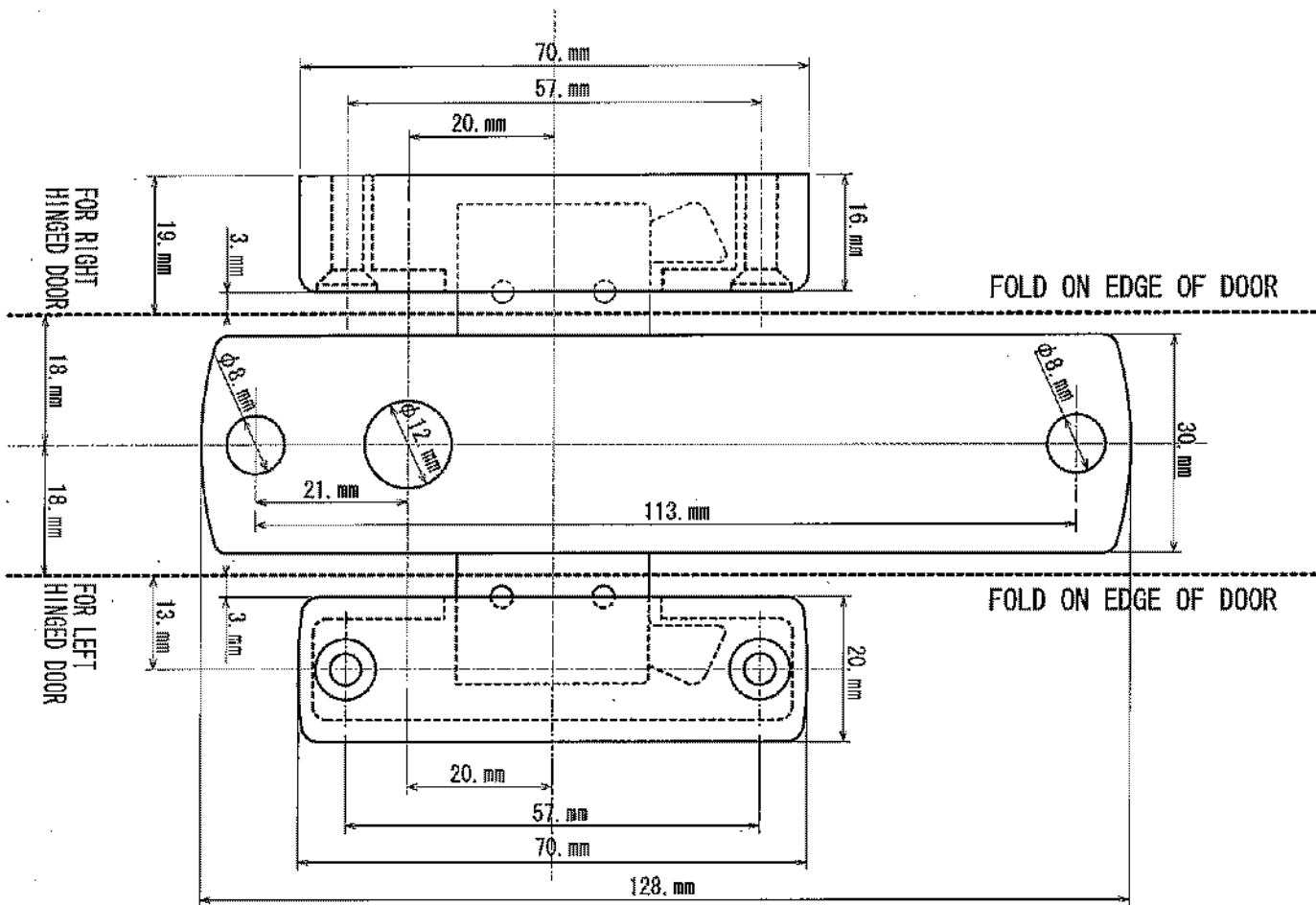
TEMPLATE

C120



TEMPLATE

C150



TEMPLATE

C170

