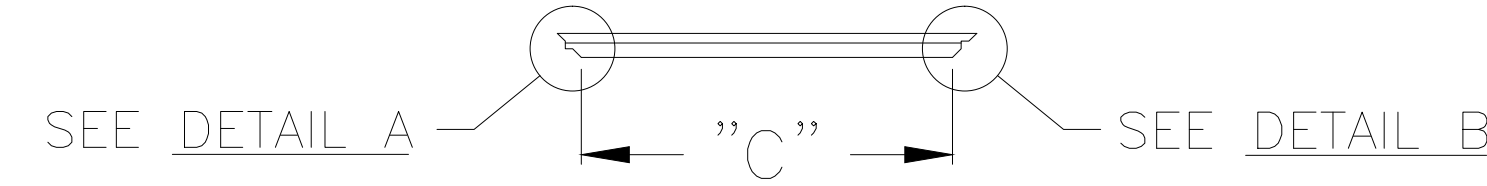
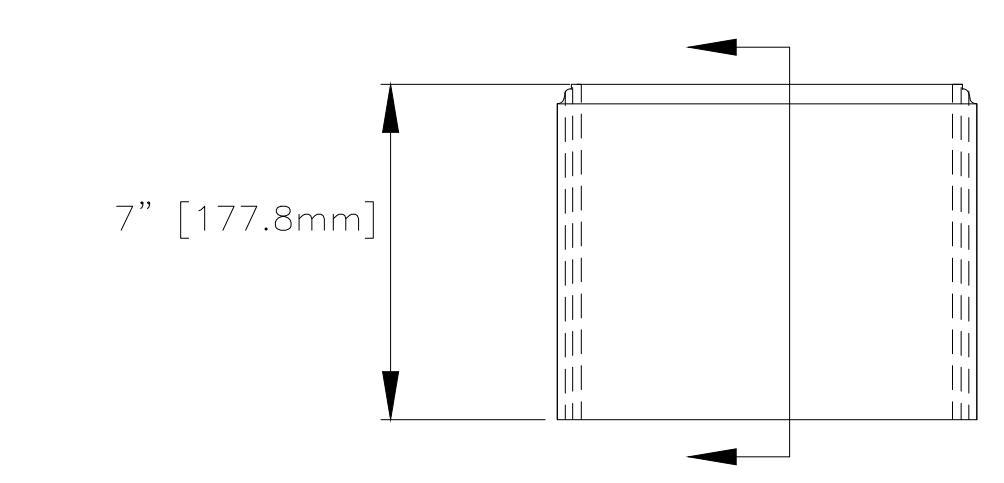
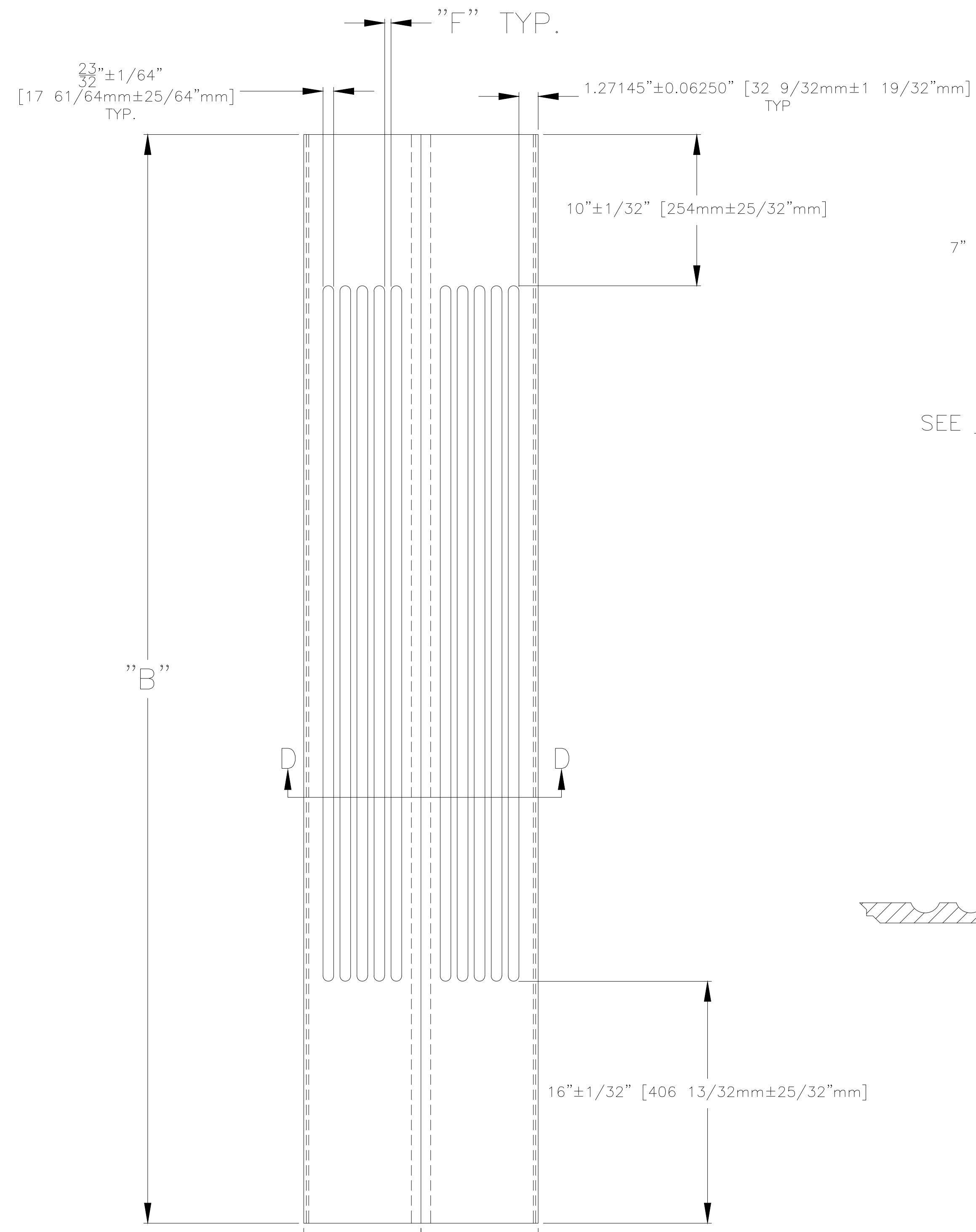
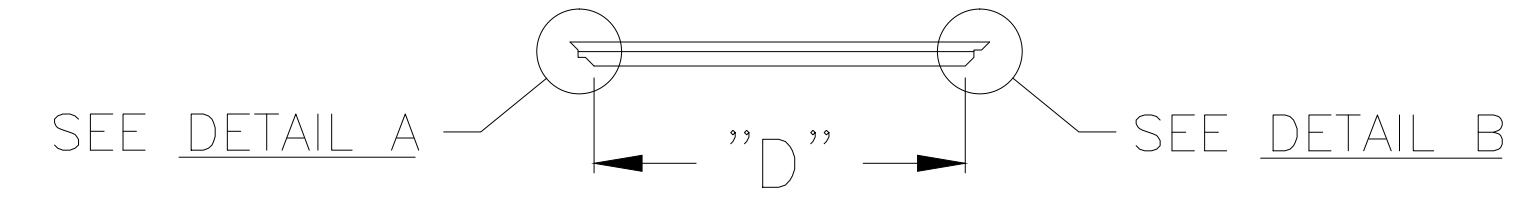
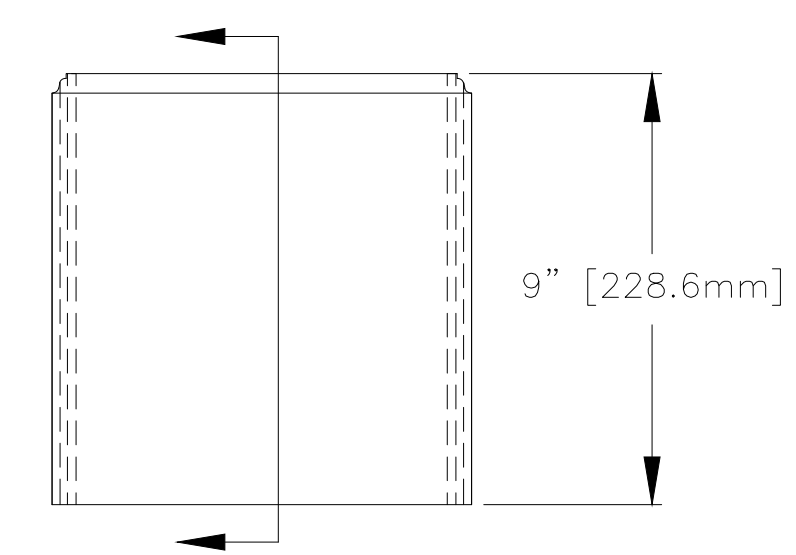
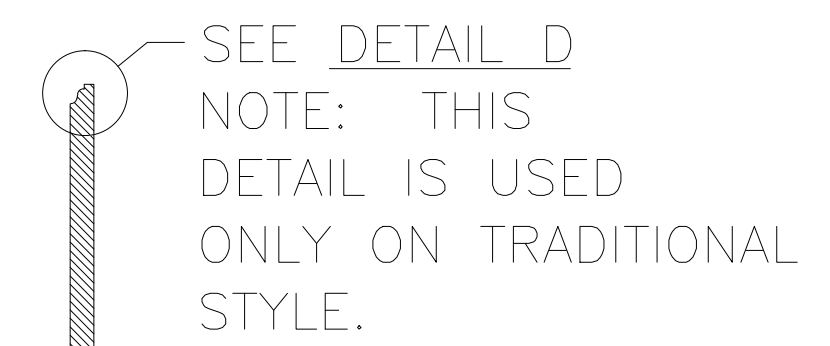


ECO NUMBER	ZONE	REV	DESCRIPTION	DATE	APPROVED



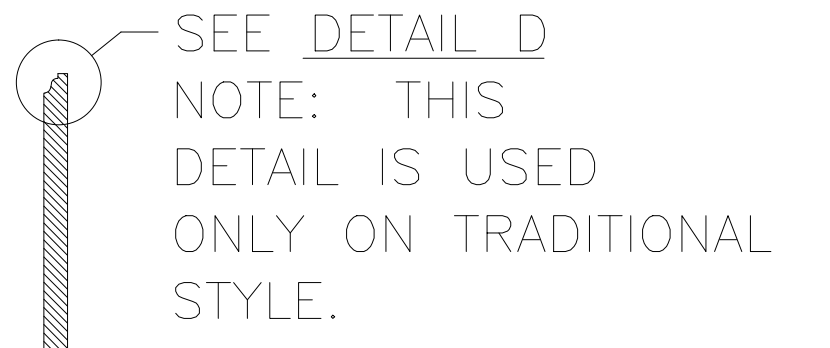
TRADITIONAL CAP DIMENSIONS

Qty.	Style	Actual "C"	"C" Tolerance
2	TRADITIONAL	SEE TABLE	+1/16" [1.6mm] -0" [0mm]

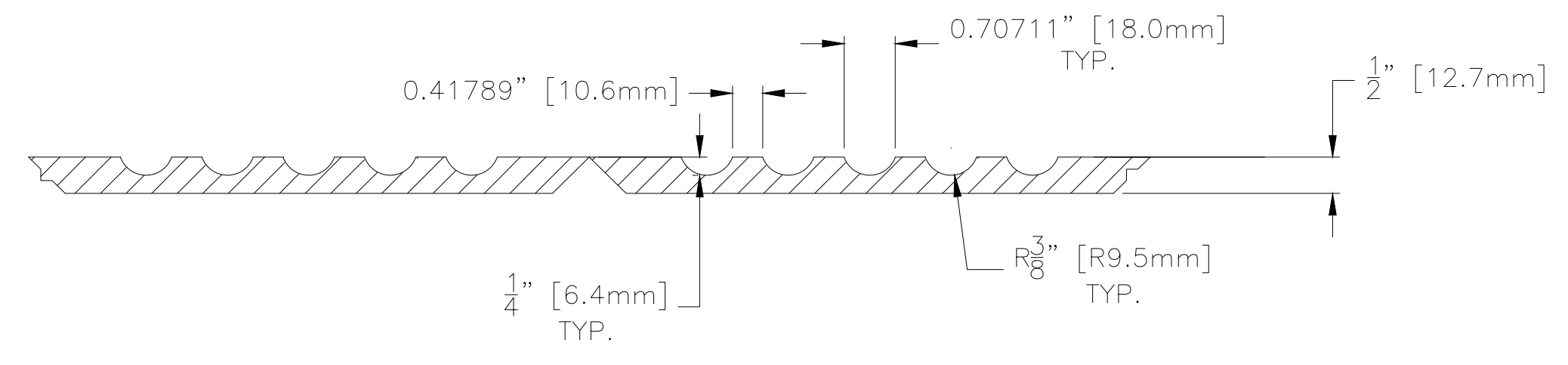


TRADITIONAL BASE DIMENSIONS

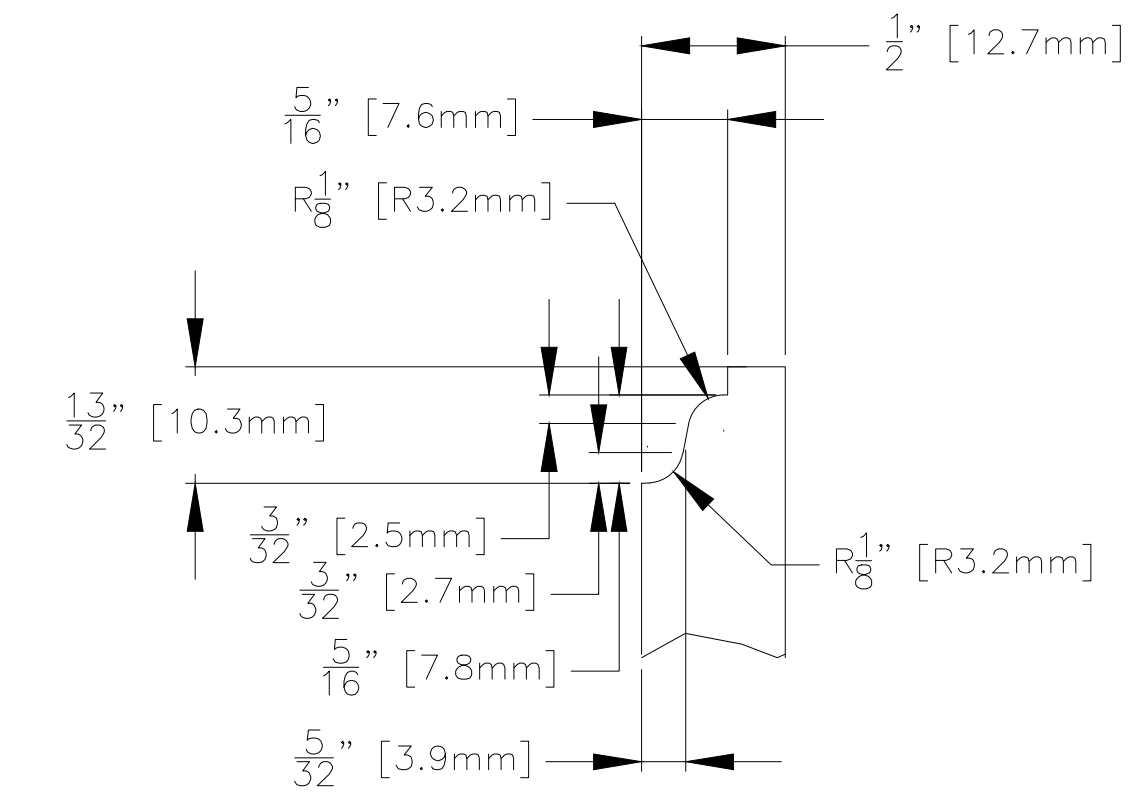
Qty.	Style	Actual "D"	"D" Tolerance
2	TRADITIONAL	SEE TABLE	+1/16" [1.6mm] -0" [0mm]



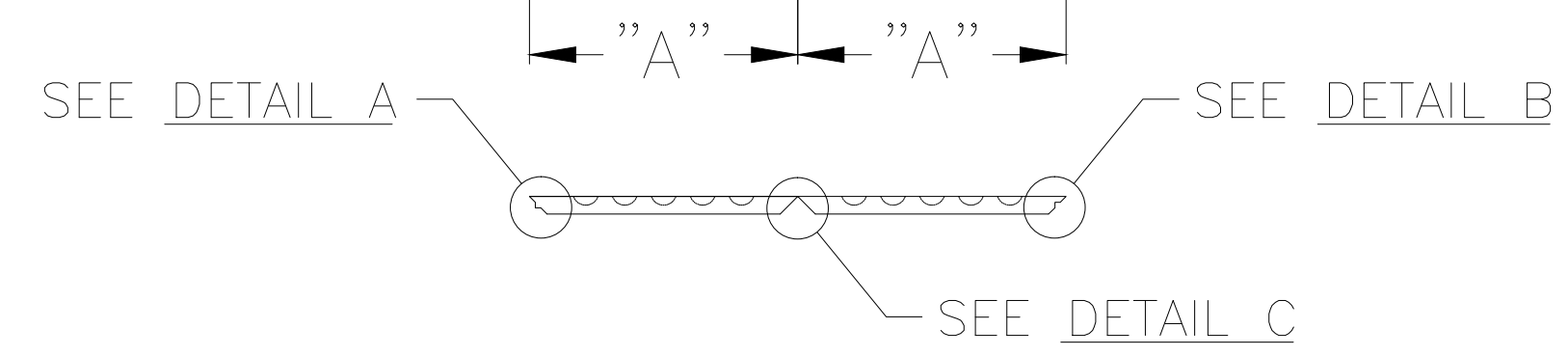
NOTE: SEE CHART ON NEXT PAGE FOR THE NUMBER OF FLUTES FOR EACH SIZE OF COLUMN WRAP.



SECTION D-D
SCALE: 1.5" = 1"

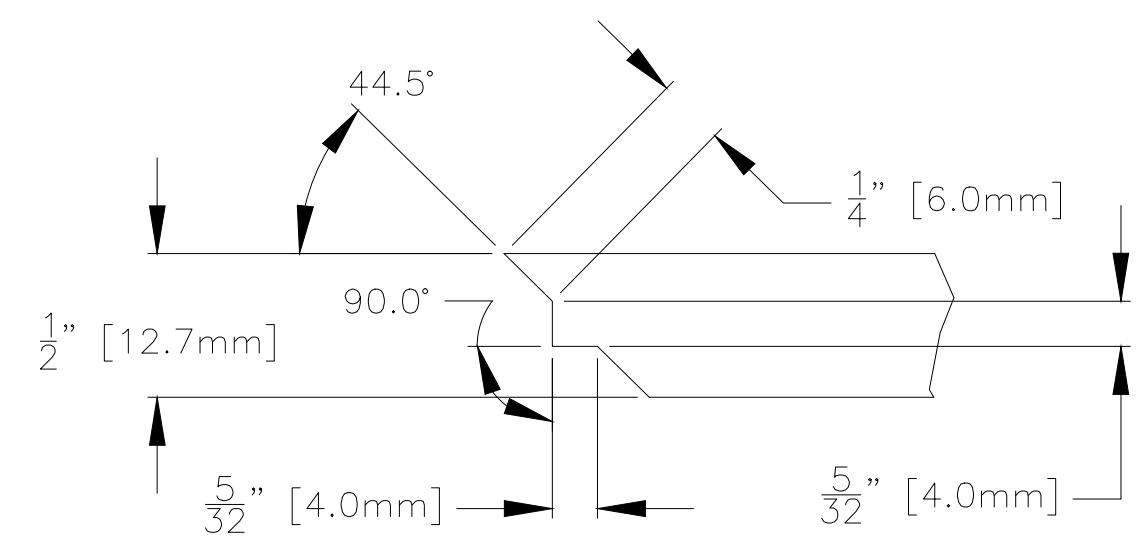


DETAIL D
SCALE: 1.5" = 1"

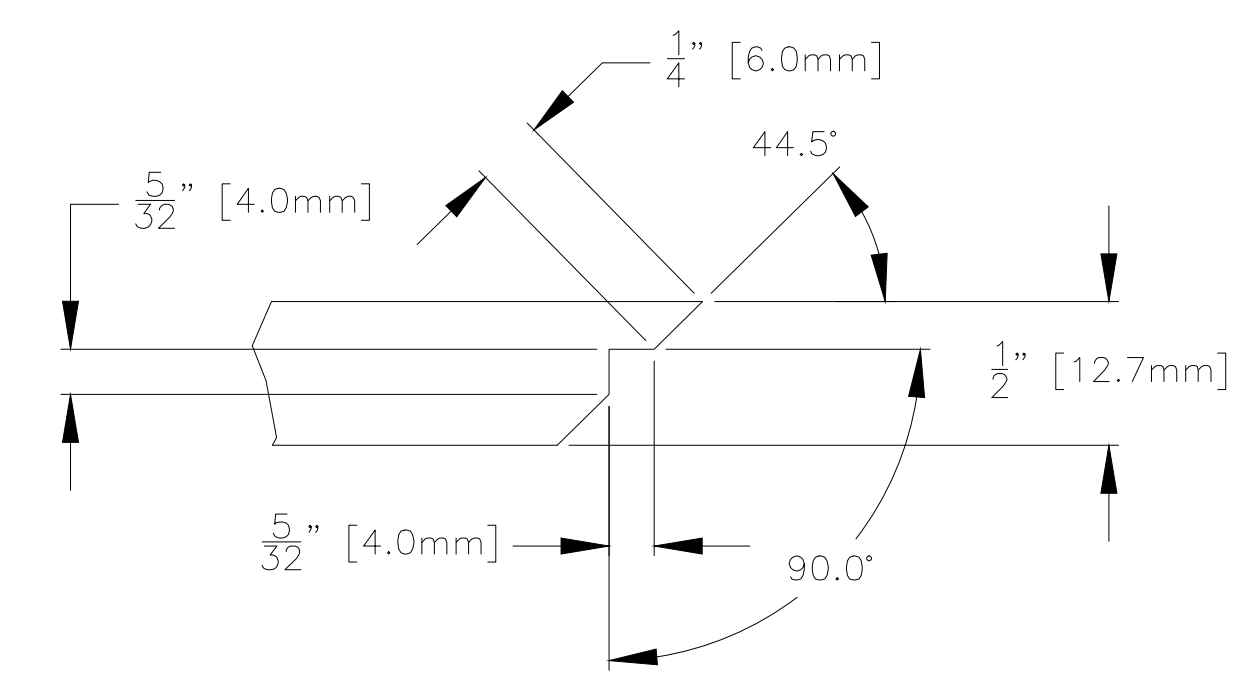


SHAFT DIMENSIONS

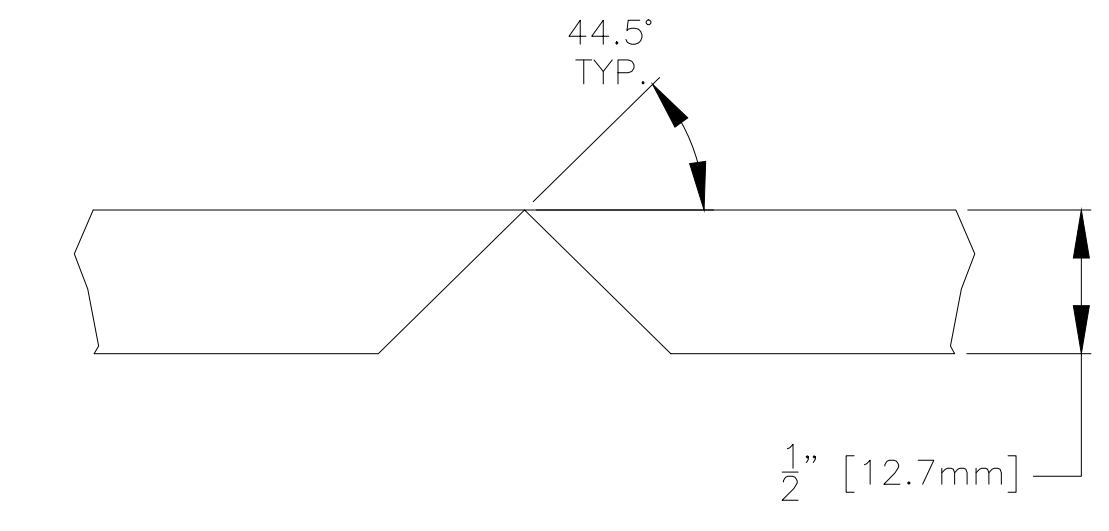
Qty.	Nominal "A"	Actual "A"	"A" Tolerance	Nominal/Actual "B"	"B" Tolerance
2	SEE TABLE	SEE TABLE	+0" [0mm] -1/16" [1.6mm]	SEE TABLE	+1/4" [6.4mm] -0" [0mm]



DETAIL A
SCALE: 1.5" = 1"



DETAIL B
SCALE: 1.5" = 1"



DETAIL C
SCALE: 1.5" = 1"

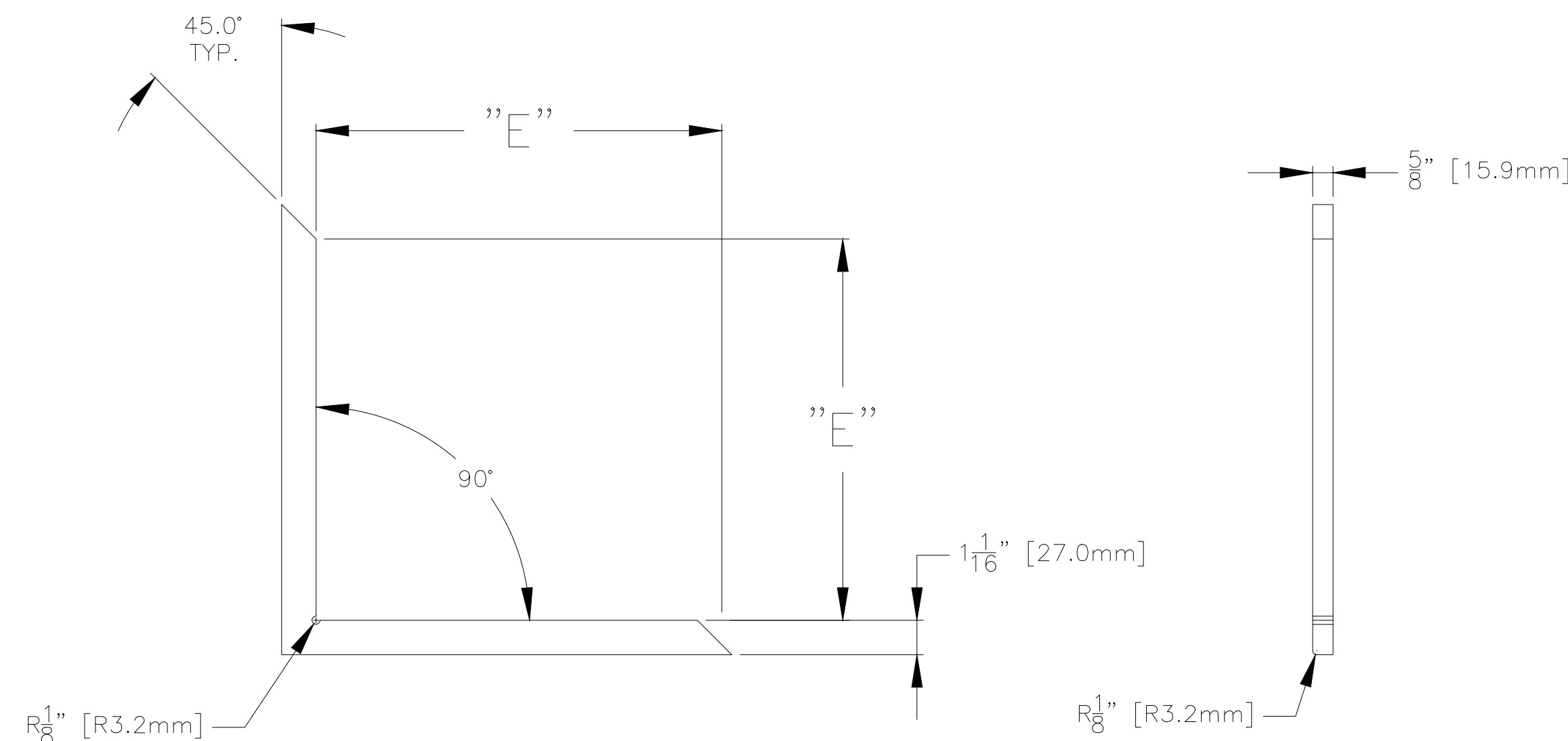


TITLE				PREMIUM SELECT SQUARE FLUTED (SFL)	
				PREMIUM SELECT COLUMN WRAP SQUARE FLUTED KIT	
SIZE	QUOTED ITEM NUMBER	DRWG NO.	REV		
D			0		
DRAWN BY	HL	DATE	1/22/18	CHECKED BY	CHECKED BY
SCALE	NONE	DO NOT SCALE DRAWING	SHEET	1	OF 2
UNLESS OTHERWISE SPECIFIED, ALL DIMENSIONS ARE IN INCHES					

ECO NUMBER	ZONE	REV	DESCRIPTION	DATE	APPROVED

PART NUMBER (Part Number)	1/2" thick COLUMN (-SA Part Number)	Nominal "A"	Actual "A"	"A" Tolerance	Nominal/Actual "B"	"B" TOLERANCE	Number of Flutes	Actual "F"	"F" Tolerance	1/2" thick CAP (-SA Part Number)	Style Cap	Actual "C"	"C" Tolerance	1/2" thick BASE (-SA Part Number)	Style Base	Actual "D"	"D" Tolerance
CWPM8X72SFL	CW4NTFL8X8X72-SA	8"	7 3/4" [196.9mm]	+0" [0mm] -1/16" [1.6mm]	72" [1828.8mm]	+1/4" [6.4mm] -0" [0mm]	5	.418"	+1/64" [19.1mm] -1/64" [19.1mm]	CW8TRCAP-SA	TRADITIONAL	7 7/8" [200.0mm]	+1/16" [1.6mm] -0" [0mm]	CW8TRBASE-SA	TRADITIONAL	7 7/8" [200.0mm]	+1/16" [1.6mm] -0" [0mm]
CWPM8X96SFL	CW4NTFL8X8X96-SA	8"	7 3/4" [196.9mm]	+0" [0mm] -1/16" [1.6mm]	96" [2438.4mm]	+1/4" [6.4mm] -0" [0mm]	5	.418"	+1/64" [19.1mm] -1/64" [19.1mm]	CW8TRCAP-SA	TRADITIONAL	7 7/8" [200.0mm]	+1/16" [1.6mm] -0" [0mm]	CW8TRBASE-SA	TRADITIONAL	7 7/8" [200.0mm]	+1/16" [1.6mm] -0" [0mm]
CWPM8X108SFL	CW4NTFL8X8X108-SA	8"	7 3/4" [196.9mm]	+0" [0mm] -1/16" [1.6mm]	108" [2743.2mm]	+1/4" [6.4mm] -0" [0mm]	5	.418"	+1/64" [19.1mm] -1/64" [19.1mm]	CW8TRCAP-SA	TRADITIONAL	7 7/8" [200.0mm]	+1/16" [1.6mm] -0" [0mm]	CW8TRBASE-SA	TRADITIONAL	7 7/8" [200.0mm]	+1/16" [1.6mm] -0" [0mm]
CWPM8X120SFL	CW4NTFL8X8X120-SA	8"	7 3/4" [196.9mm]	+0" [0mm] -1/16" [1.6mm]	120" [3048.0mm]	+1/4" [6.4mm] -0" [0mm]	5	.418"	+1/64" [19.1mm] -1/64" [19.1mm]	CW8TRCAP-SA	TRADITIONAL	7 7/8" [200.0mm]	+1/16" [1.6mm] -0" [0mm]	CW8TRBASE-SA	TRADITIONAL	7 7/8" [200.0mm]	+1/16" [1.6mm] -0" [0mm]
CWPM8X144SFL	CW4NTFL8X8X144-SA	8"	7 3/4" [196.9mm]	+0" [0mm] -1/16" [1.6mm]	144" [3657.6mm]	+1/4" [6.4mm] -0" [0mm]	5	.418"	+1/64" [19.1mm] -1/64" [19.1mm]	CW8TRCAP-SA	TRADITIONAL	7 7/8" [200.0mm]	+1/16" [1.6mm] -0" [0mm]	CW8TRBASE-SA	TRADITIONAL	7 7/8" [200.0mm]	+1/16" [1.6mm] -0" [0mm]
CWPM10X72SFL	CW4NTFL10X10X72-SA	10"	9 3/4" [247.7mm]	+0" [0mm] -1/16" [1.6mm]	72" [1828.8mm]	+1/4" [6.4mm] -0" [0mm]	7	.376"	+1/64" [19.1mm] -1/64" [19.1mm]	CW10TRCAP-SA	TRADITIONAL	9 7/8" [250.8mm]	+1/16" [1.6mm] -0" [0mm]	CW10TRBASE-SA	TRADITIONAL	9 7/8" [250.8mm]	+1/16" [1.6mm] -0" [0mm]
CWPM10X96SFL	CW4NTFL10X10X96-SA	10"	9 3/4" [247.7mm]	+0" [0mm] -1/16" [1.6mm]	96" [2438.4mm]	+1/4" [6.4mm] -0" [0mm]	7	.376"	+1/64" [19.1mm] -1/64" [19.1mm]	CW10TRCAP-SA	TRADITIONAL	9 7/8" [250.8mm]	+1/16" [1.6mm] -0" [0mm]	CW10TRBASE-SA	TRADITIONAL	9 7/8" [250.8mm]	+1/16" [1.6mm] -0" [0mm]
CWPM10X108SFL	CW4NTFL10X10X108-SA	10"	9 3/4" [247.7mm]	+0" [0mm] -1/16" [1.6mm]	108" [2743.2mm]	+1/4" [6.4mm] -0" [0mm]	7	.376"	+1/64" [19.1mm] -1/64" [19.1mm]	CW10TRCAP-SA	TRADITIONAL	9 7/8" [250.8mm]	+1/16" [1.6mm] -0" [0mm]	CW10TRBASE-SA	TRADITIONAL	9 7/8" [250.8mm]	+1/16" [1.6mm] -0" [0mm]
CWPM10X120SFL	CW4NTFL10X10X120-SA	10"	9 3/4" [247.7mm]	+0" [0mm] -1/16" [1.6mm]	120" [3048.0mm]	+1/4" [6.4mm] -0" [0mm]	7	.376"	+1/64" [19.1mm] -1/64" [19.1mm]	CW10TRCAP-SA	TRADITIONAL	9 7/8" [250.8mm]	+1/16" [1.6mm] -0" [0mm]	CW10TRBASE-SA	TRADITIONAL	9 7/8" [250.8mm]	+1/16" [1.6mm] -0" [0mm]
CWPM10X144SFL	CW4NTFL10X10X144-SA	10"	9 3/4" [247.7mm]	+0" [0mm] -1/16" [1.6mm]	144" [3657.6mm]	+1/4" [6.4mm] -0" [0mm]	7	.376"	+1/64" [19.1mm] -1/64" [19.1mm]	CW10TRCAP-SA	TRADITIONAL	9 7/8" [250.8mm]	+1/16" [1.6mm] -0" [0mm]	CW10TRBASE-SA	TRADITIONAL	9 7/8" [250.8mm]	+1/16" [1.6mm] -0" [0mm]
CWPM12X72SFL	CW4NTFL12X12X72-SA	12"	11 3/4" [298.5mm]	+0" [0mm] -1/16" [1.6mm]	72" [1828.8mm]	+1/4" [6.4mm] -0" [0mm]	9	.355"	+1/64" [19.1mm] -1/64" [19.1mm]	CW12TRCAP-SA	TRADITIONAL	11 7/8" [301.6mm]	+1/16" [1.6mm] -0" [0mm]	CW12TRBASE-SA	TRADITIONAL	11 7/8" [301.6mm]	+1/16" [1.6mm] -0" [0mm]
CWPM12X96SFL	CW4NTFL12X12X96-SA	12"	11 3/4" [298.5mm]	+0" [0mm] -1/16" [1.6mm]	96" [2438.4mm]	+1/4" [6.4mm] -0" [0mm]	9	.355"	+1/64" [19.1mm] -1/64" [19.1mm]	CW12TRCAP-SA	TRADITIONAL	11 7/8" [301.6mm]	+1/16" [1.6mm] -0" [0mm]	CW12TRBASE-SA	TRADITIONAL	11 7/8" [301.6mm]	+1/16" [1.6mm] -0" [0mm]
CWPM12X108SFL	CW4NTFL12X12X108-SA	12"	11 3/4" [298.5mm]	+0" [0mm] -1/16" [1.6mm]	108" [2743.2mm]	+1/4" [6.4mm] -0" [0mm]	9	.355"	+1/64" [19.1mm] -1/64" [19.1mm]	CW12TRCAP-SA	TRADITIONAL	11 7/8" [301.6mm]	+1/16" [1.6mm] -0" [0mm]	CW12TRBASE-SA	TRADITIONAL	11 7/8" [301.6mm]	+1/16" [1.6mm] -0" [0mm]
CWPM12X120SFL	CW4NTFL12X12X120-SA	12"	11 3/4" [298.5mm]	+0" [0mm] -1/16" [1.6mm]	120" [3048.0mm]	+1/4" [6.4mm] -0" [0mm]	9	.355"	+1/64" [19.1mm] -1/64" [19.1mm]	CW12TRCAP-SA	TRADITIONAL	11 7/8" [301.6mm]	+1/16" [1.6mm] -0" [0mm]	CW12TRBASE-SA	TRADITIONAL	11 7/8" [301.6mm]	+1/16" [1.6mm] -0" [0mm]
CWPM12X144SFL	CW4NTFL12X12X144-SA	12"	11 3/4" [298.5mm]	+0" [0mm] -1/16" [1.6mm]	144" [3657.6mm]	+1/4" [6.4mm] -0" [0mm]	9	.355"	+1/64" [19.1mm] -1/64" [19.1mm]	CW12TRCAP-SA	TRADITIONAL	11 7/8" [301.6mm]	+1/16" [1.6mm] -0" [0mm]	CW12TRBASE-SA	TRADITIONAL	11 7/8" [301.6mm]	+1/16" [1.6mm] -0" [0mm]

PART NUMBER (Part Number)	5/8" thick CLEATS (-SA Part Number)	Style Cleat	"E"	"E" Tolerance
CWPM8X72SFL	CW8CLT1-1/16-SA	TRADITIONAL	7 25/32" [197.6mm]	+1/16" [1.6mm] -0" [0mm]
CWPM8X96SFL	CW8CLT1-1/16-SA	TRADITIONAL	7 25/32" [197.6mm]	+1/16" [1.6mm] -0" [0mm]
CWPM8X108SFL	CW8CLT1-1/16-SA	TRADITIONAL	7 25/32" [197.6mm]	+1/16" [1.6mm] -0" [0mm]
CWPM8X120SFL	CW8CLT1-1/16-SA	TRADITIONAL	7 25/32" [197.6mm]	+1/16" [1.6mm] -0" [0mm]
CWPM8X144SFL	CW8CLT1-1/16-SA	TRADITIONAL	7 25/32" [197.6mm]	+1/16" [1.6mm] -0" [0mm]
CWPM10X72SFL	CW10CLT1-1/16-SA	TRADITIONAL	9 25/32" [248.4mm]	+1/16" [1.6mm] -0" [0mm]
CWPM10X96SFL	CW10CLT1-1/16-SA	TRADITIONAL	9 25/32" [248.4mm]	+1/16" [1.6mm] -0" [0mm]
CWPM10X108SFL	CW10CLT1-1/16-SA	TRADITIONAL	9 25/32" [248.4mm]	+1/16" [1.6mm] -0" [0mm]
CWPM10X120SFL	CW10CLT1-1/16-SA	TRADITIONAL	9 25/32" [248.4mm]	+1/16" [1.6mm] -0" [0mm]
CWPM10X144SFL	CW10CLT1-1/16-SA	TRADITIONAL	9 25/32" [248.4mm]	+1/16" [1.6mm] -0" [0mm]
CWPM12X72SFL	CW12CLT1-1/16-SA	TRADITIONAL	11 25/32" [299.2mm]	+1/16" [1.6mm] -0" [0mm]
CWPM12X96SFL	CW12CLT1-1/16-SA	TRADITIONAL	11 25/32" [299.2mm]	+1/16" [1.6mm] -0" [0mm]
CWPM12X108SFL	CW12CLT1-1/16-SA	TRADITIONAL	11 25/32" [299.2mm]	+1/16" [1.6mm] -0" [0mm]
CWPM12X120SFL	CW12CLT1-1/16-SA	TRADITIONAL	11 25/32" [299.2mm]	+1/16" [1.6mm] -0" [0mm]
CWPM12X144SFL	CW12CLT1-1/16-SA	TRADITIONAL	11 25/32" [299.2mm]	+1/16" [1.6mm] -0" [0mm]



CLEAT DIMENSIONS

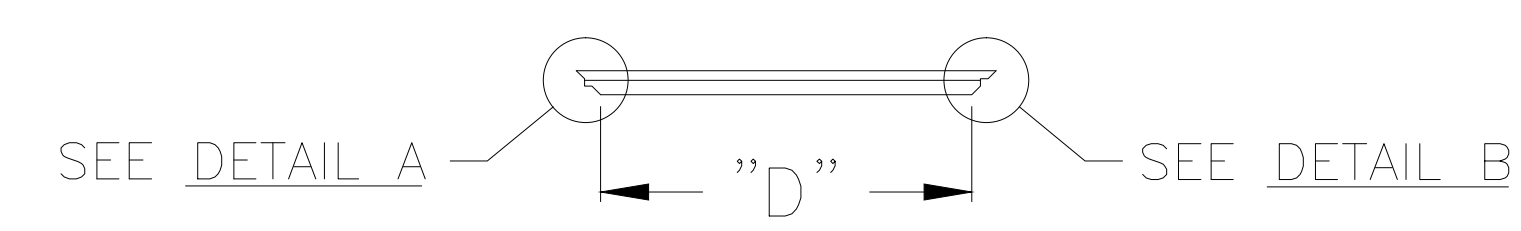
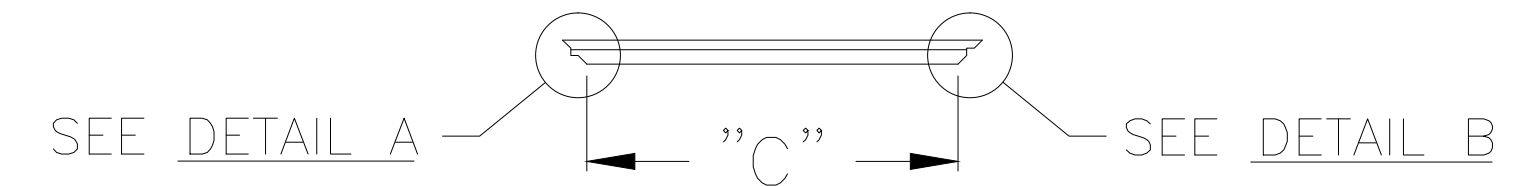
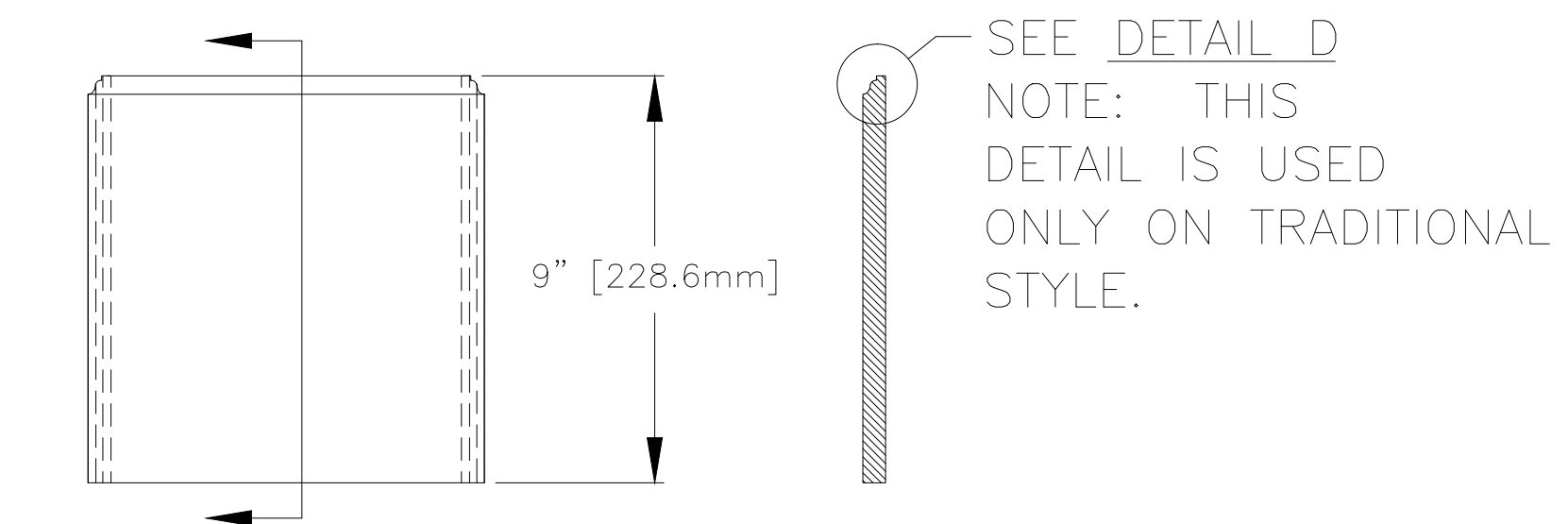
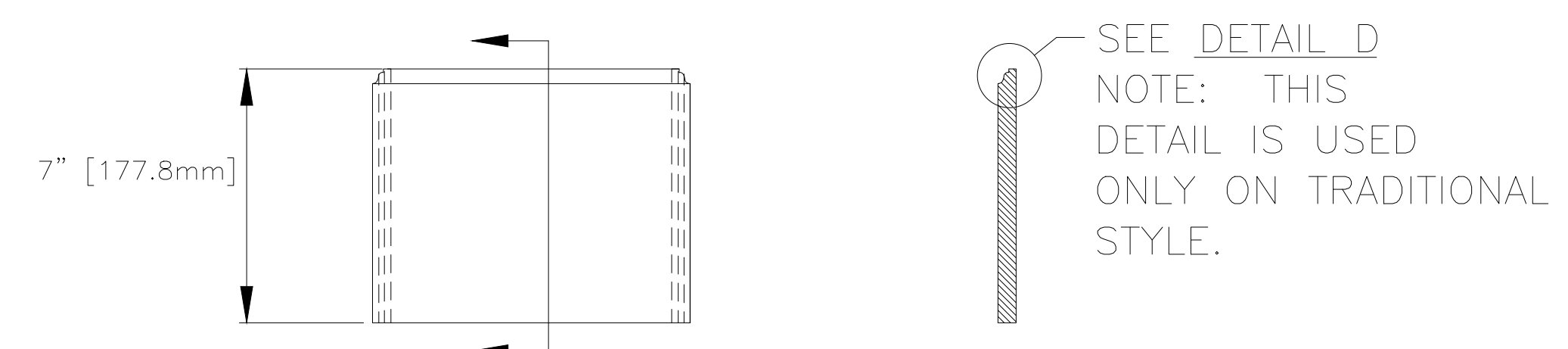
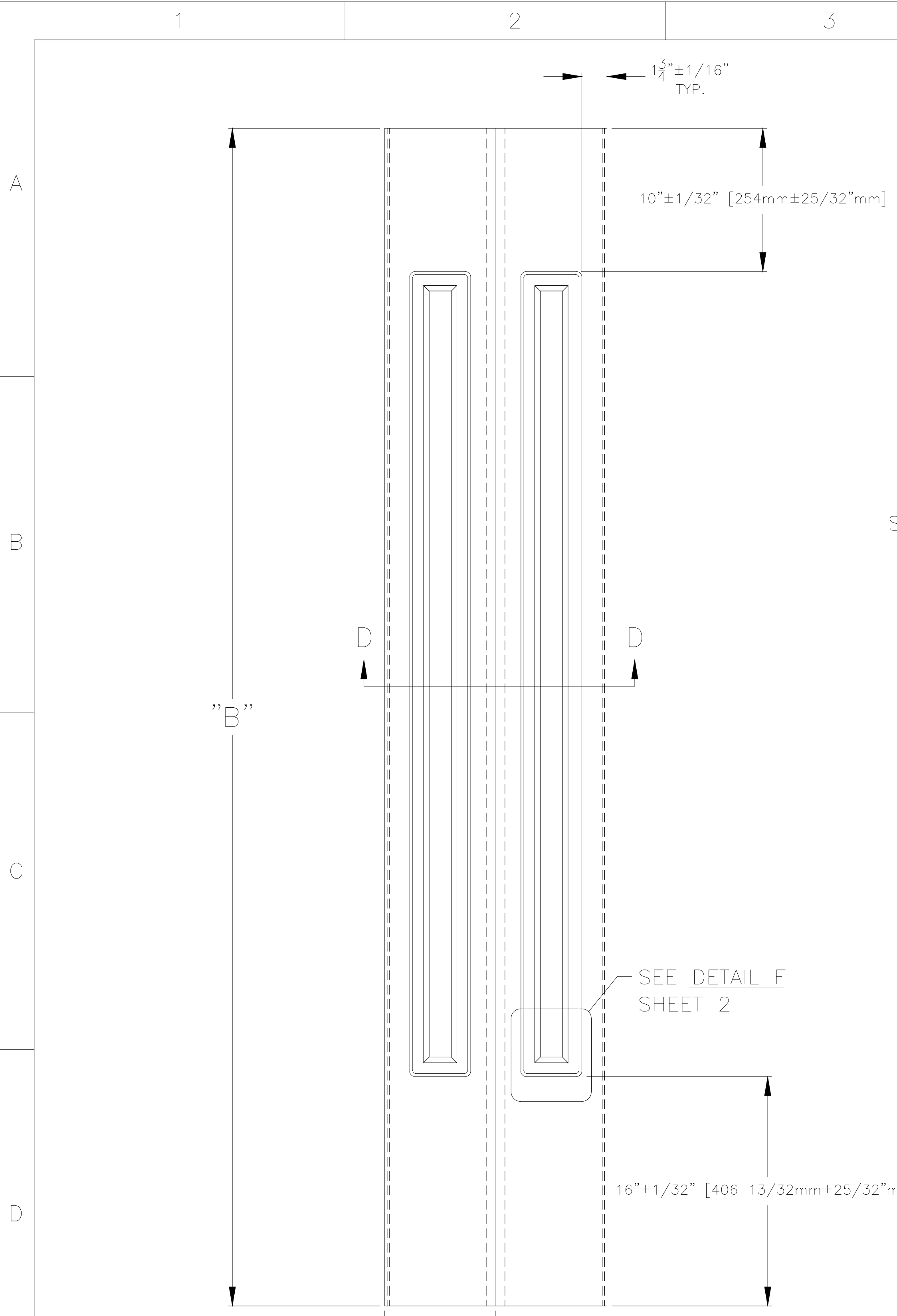
NOTE: 4 CLEATS REQUIRED PER KIT

Qty.	Style	Actual "E"	"E" Tolerance
4	TRADITIONAL	SEE TABLE	+1/16" [1.6mm] -0" [0mm]



TITLE			
PREMIUM SELECT SQUARE FLUTED (SFL)			
PREMIUM SELECT COLUMN WRAP SQUARE FLUTED KIT			
SIZE	QUOTED ITEM NUMBER	DRWG NO.	REV
D			0
DRAWN BY	DATE	CHECKED BY	CHECKED BY
HL	1/22/18		
SCALE	DO NOT SCALE DRAWING	SHEET	OF
NONE		2	2
UNLESS OTHERWISE SPECIFIED, ALL DIMENSIONS ARE IN INCHES			

ECO NUMBER	ZONE	REV	DESCRIPTION	DATE	APPROVED

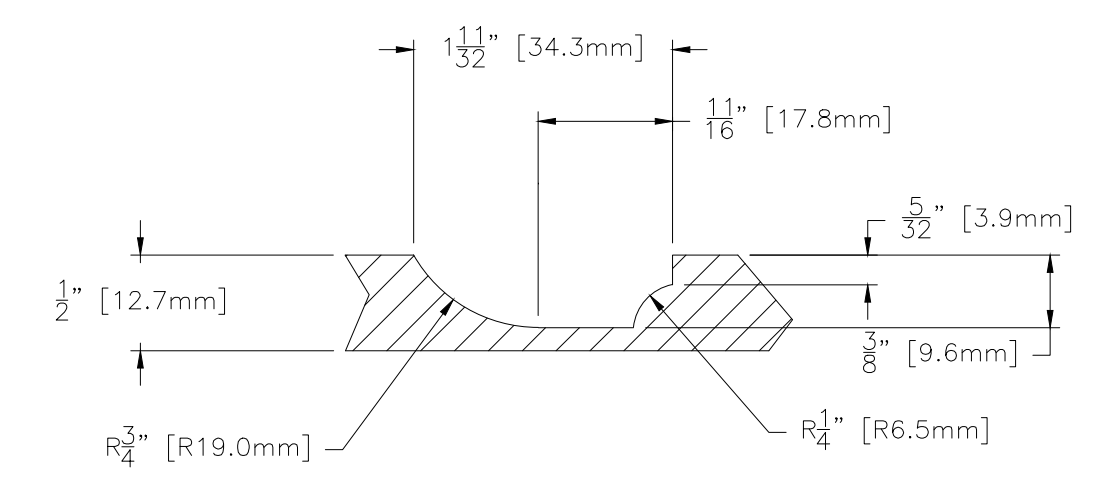


TRADITIONAL CAP DIMENSIONS

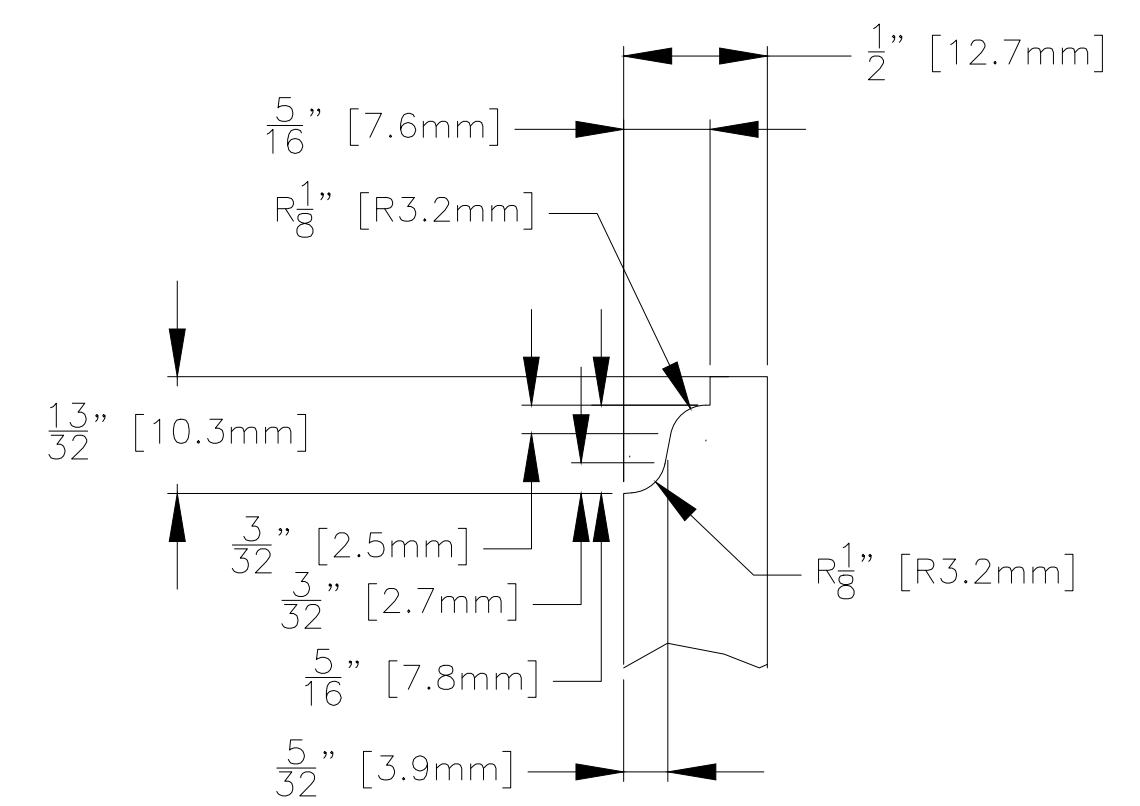
TRADITIONAL BASE DIMENSIONS

Qty.	Style	Actual "C"	"C" Tolerance
2	TRADITIONAL	SEE TABLE	+1/16" [1.6mm] -0" [0mm]

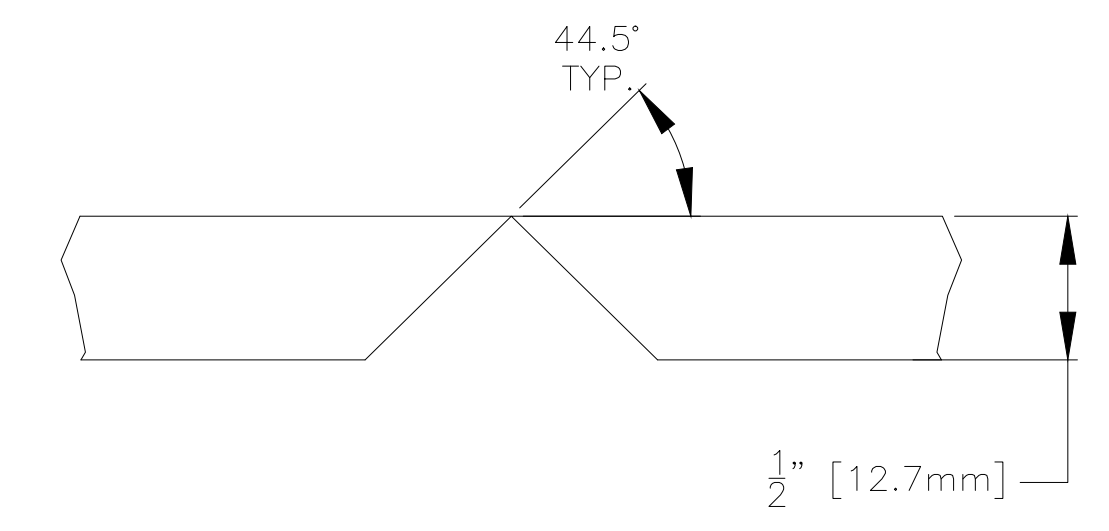
Qty.	Style	Actual "D"	"D" Tolerance
2	TRADITIONAL	SEE TABLE	+1/16" [1.6mm] -0" [0mm]



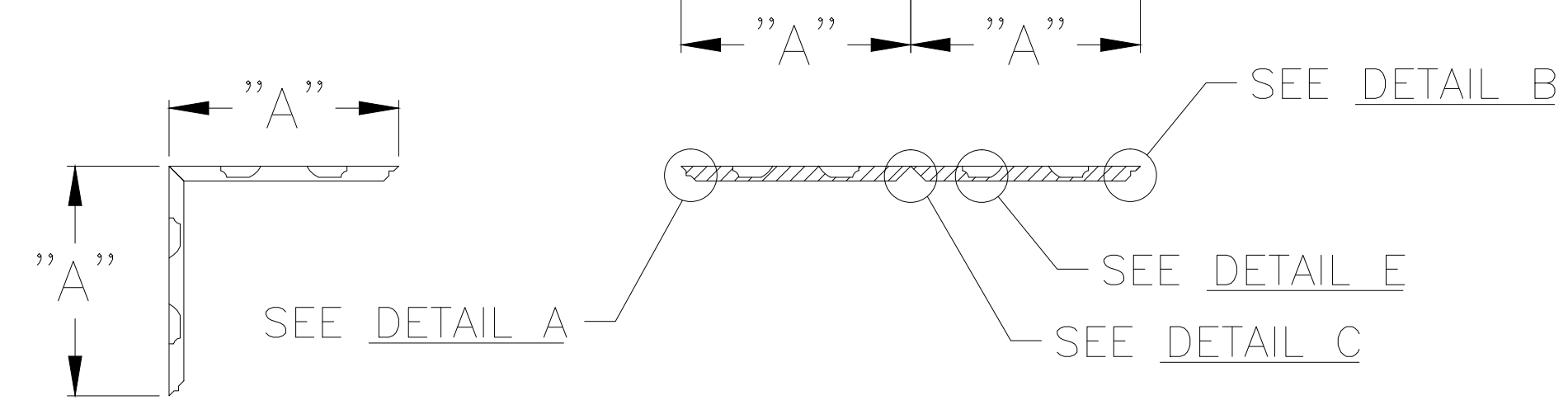
DETAIL E
SCALE: 1" = 1"



DETAIL D
SCALE: 1.5" = 1"

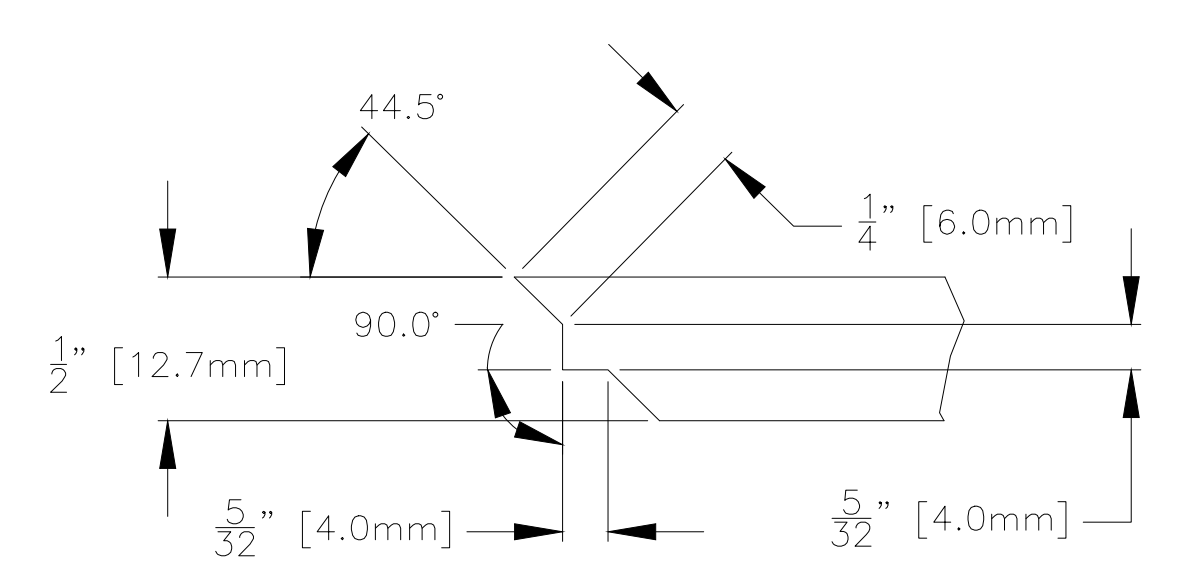


DETAIL C
SCALE: 1.5" = 1"

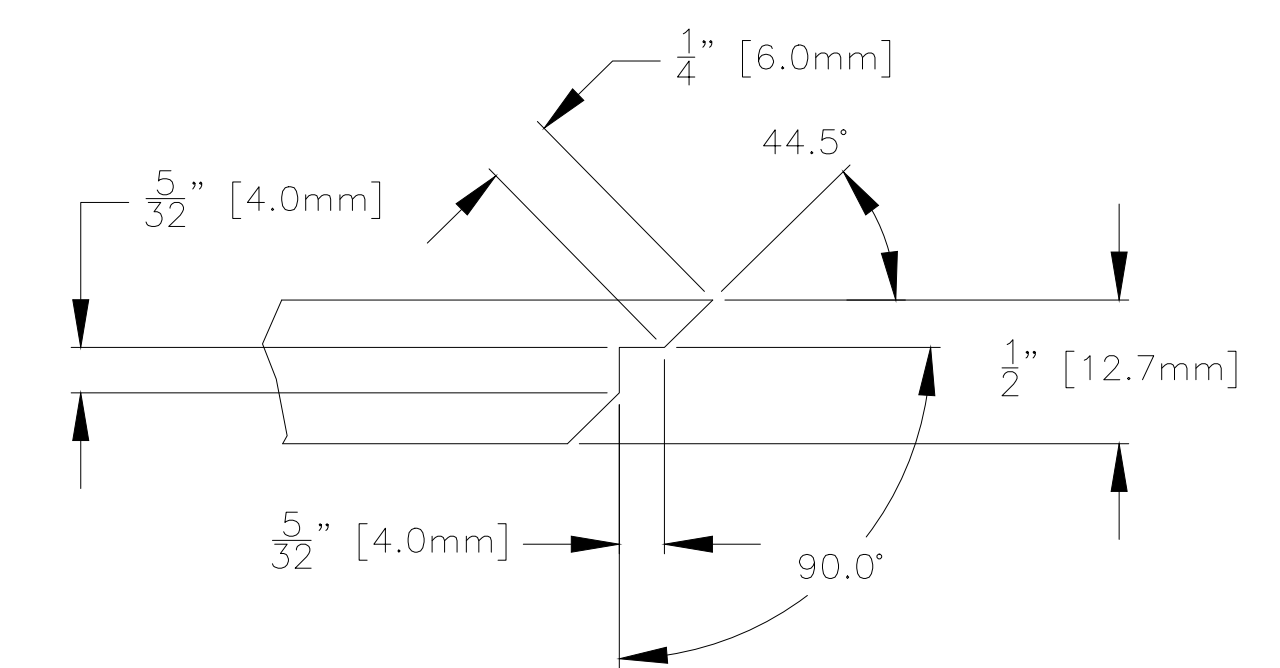


SHAFT DIMENSIONS

Qty.	Nominal "A"	Actual "A"	"A" Tolerance	Nominal/Actual "B"	"B" Tolerance
2	SEE TABLE	SEE TABLE	+0" [0mm] -1/16" [1.6mm]	SEE TABLE	+1/4" [6.4mm] -0" [0mm]



DETAIL A
SCALE: 1.5" = 1"



DETAIL B
SCALE: 1.5" = 1"

FYRON

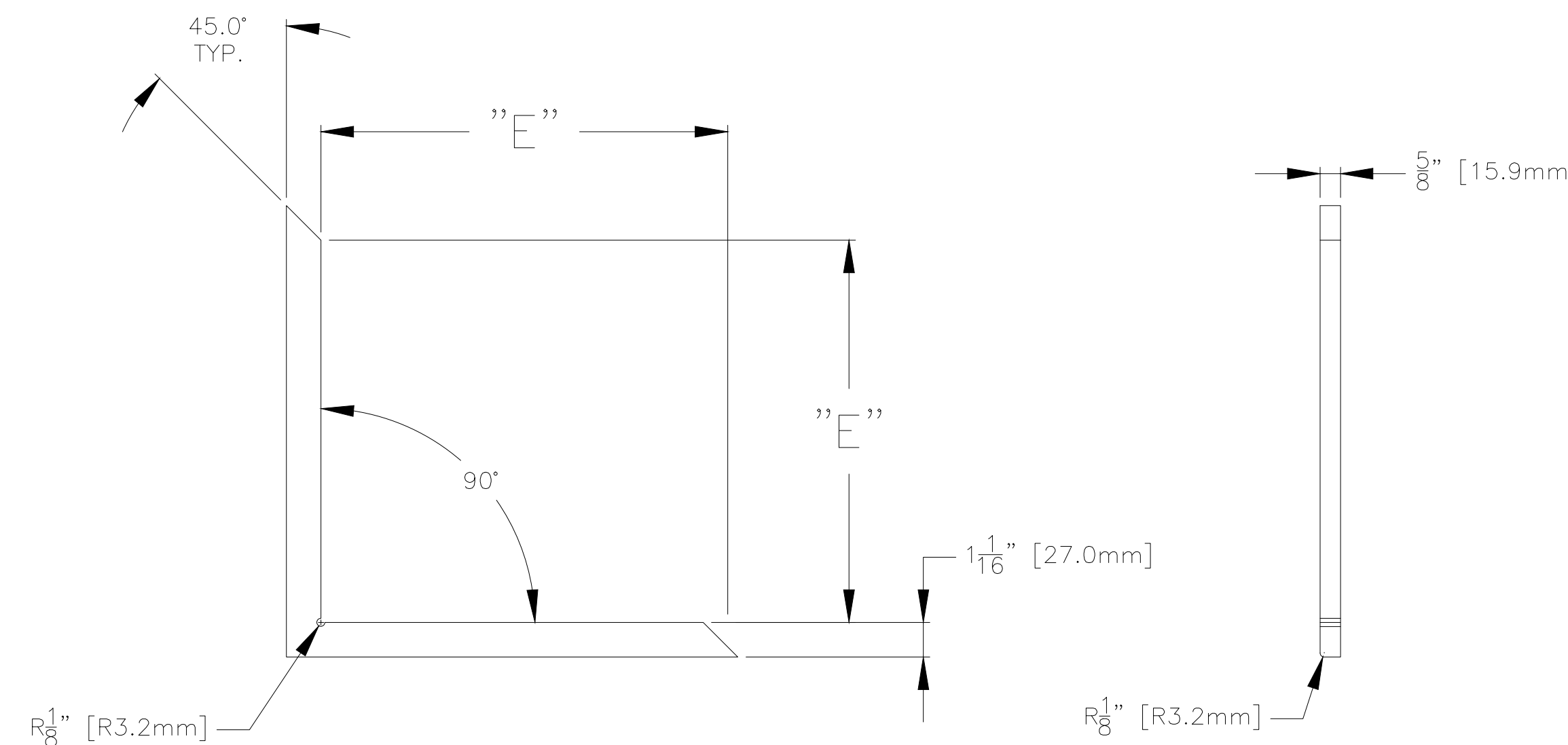
TITLE: PREMIUM SELECT SQUARE RAISED (SRS)
PREMIUM SELECT COLUMN WRAPSQUARE RAISED PANEL KIT

SIZE	QUOTED ITEM NUMBER	DRWG NO.	REV
D			0
DRAWN BY	DATE	CHECKED BY	CHECKED BY
HL	1/22/18		
SCALE	DO NOT SCALE DRAWING	SHEET	1 OF 2
UNLESS OTHERWISE SPECIFIED, ALL DIMENSIONS ARE IN INCHES			

ECO NUMBER	ZONE	REV	DESCRIPTION	DATE	APPROVED

PART NUMBER (Part Number)	1/2" THICK COLUMN (-SA Part Number)	Nominal "A"	Actual "A"	"A" Tolerance	Nominal/Actual "B"	"B" TOLERANCE	1/2" THICK CAP (-SA Part Number)	Style Cap	Actual "C"	"C" Tolerance	1/2" THICK BASE (-SA Part Number)	Style Base	Actual "D"	"D" Tolerance
CWPM8X72SRS	CW4NTRP8X8X72-SA	8"	7 3/4" [196.9mm]	+0" [0mm] -1/16" [1.6mm]	72" [1828.8mm]	+1/4" [6.4mm] -0" [0mm]	CW8TRCAP-SA	TRADITIONAL	7 7/8" [200.0mm]	+1/16" [1.6mm] -0" [0mm]	CW8TRBASE-SA	TRADITIONAL	7 7/8" [200.0mm]	+1/16" [1.6mm] -0" [0mm]
CWPM8X96SRS	CW4NTRP8X8X96-SA	8"	7 3/4" [196.9mm]	+0" [0mm] -1/16" [1.6mm]	96" [2438.4mm]	+1/4" [6.4mm] -0" [0mm]	CW8TRCAP-SA	TRADITIONAL	7 7/8" [200.0mm]	+1/16" [1.6mm] -0" [0mm]	CW8TRBASE-SA	TRADITIONAL	7 7/8" [200.0mm]	+1/16" [1.6mm] -0" [0mm]
CWPM8X108SRS	CW4NTRP8X8X108-SA	8"	7 3/4" [196.9mm]	+0" [0mm] -1/16" [1.6mm]	108" [2743.2mm]	+1/4" [6.4mm] -0" [0mm]	CW8TRCAP-SA	TRADITIONAL	7 7/8" [200.0mm]	+1/16" [1.6mm] -0" [0mm]	CW8TRBASE-SA	TRADITIONAL	7 7/8" [200.0mm]	+1/16" [1.6mm] -0" [0mm]
CWPM8X120SRS	CW4NTRP8X8X120-SA	8"	7 3/4" [196.9mm]	+0" [0mm] -1/16" [1.6mm]	120" [3048.0mm]	+1/4" [6.4mm] -0" [0mm]	CW8TRCAP-SA	TRADITIONAL	7 7/8" [200.0mm]	+1/16" [1.6mm] -0" [0mm]	CW8TRBASE-SA	TRADITIONAL	7 7/8" [200.0mm]	+1/16" [1.6mm] -0" [0mm]
CWPM8X144SRS	CW4NTRP8X8X144-SA	8"	7 3/4" [196.9mm]	+0" [0mm] -1/16" [1.6mm]	144" [3657.6mm]	+1/4" [6.4mm] -0" [0mm]	CW8TRCAP-SA	TRADITIONAL	7 7/8" [200.0mm]	+1/16" [1.6mm] -0" [0mm]	CW8TRBASE-SA	TRADITIONAL	7 7/8" [200.0mm]	+1/16" [1.6mm] -0" [0mm]
CWPM10X72SRS	CW4NTRP10X10X72-SA	10"	9 3/4" [247.7mm]	+0" [0mm] -1/16" [1.6mm]	72" [1828.8mm]	+1/4" [6.4mm] -0" [0mm]	CW10TRCAP-SA	TRADITIONAL	9 7/8" [250.8mm]	+1/16" [1.6mm] -0" [0mm]	CW10TRBASE-SA	TRADITIONAL	9 7/8" [250.8mm]	+1/16" [1.6mm] -0" [0mm]
CWPM10X96SRS	CW4NTRP10X10X96-SA	10"	9 3/4" [247.7mm]	+0" [0mm] -1/16" [1.6mm]	96" [2438.4mm]	+1/4" [6.4mm] -0" [0mm]	CW10TRCAP-SA	TRADITIONAL	9 7/8" [250.8mm]	+1/16" [1.6mm] -0" [0mm]	CW10TRBASE-SA	TRADITIONAL	9 7/8" [250.8mm]	+1/16" [1.6mm] -0" [0mm]
CWPM10X108SRS	CW4NTRP10X10X108-SA	10"	9 3/4" [247.7mm]	+0" [0mm] -1/16" [1.6mm]	108" [2743.2mm]	+1/4" [6.4mm] -0" [0mm]	CW10TRCAP-SA	TRADITIONAL	9 7/8" [250.8mm]	+1/16" [1.6mm] -0" [0mm]	CW10TRBASE-SA	TRADITIONAL	9 7/8" [250.8mm]	+1/16" [1.6mm] -0" [0mm]
CWPM10X120SRS	CW4NTRP10X10X120-SA	10"	9 3/4" [247.7mm]	+0" [0mm] -1/16" [1.6mm]	120" [3048.0mm]	+1/4" [6.4mm] -0" [0mm]	CW10TRCAP-SA	TRADITIONAL	9 7/8" [250.8mm]	+1/16" [1.6mm] -0" [0mm]	CW10TRBASE-SA	TRADITIONAL	9 7/8" [250.8mm]	+1/16" [1.6mm] -0" [0mm]
CWPM10X144SRS	CW4NTRP10X10X144-SA	10"	9 3/4" [247.7mm]	+0" [0mm] -1/16" [1.6mm]	144" [3657.6mm]	+1/4" [6.4mm] -0" [0mm]	CW10TRCAP-SA	TRADITIONAL	9 7/8" [250.8mm]	+1/16" [1.6mm] -0" [0mm]	CW10TRBASE-SA	TRADITIONAL	9 7/8" [250.8mm]	+1/16" [1.6mm] -0" [0mm]
CWPM12X72SRS	CW4NTRP12X12X72-SA	12"	11 3/4" [298.5mm]	+0" [0mm] -1/16" [1.6mm]	72" [1828.8mm]	+1/4" [6.4mm] -0" [0mm]	CW12TRCAP-SA	TRADITIONAL	11 7/8" [301.6mm]	+1/16" [1.6mm] -0" [0mm]	CW12TRBASE-SA	TRADITIONAL	11 7/8" [301.6mm]	+1/16" [1.6mm] -0" [0mm]
CWPM12X96SRS	CW4NTRP12X12X96-SA	12"	11 3/4" [298.5mm]	+0" [0mm] -1/16" [1.6mm]	96" [2438.4mm]	+1/4" [6.4mm] -0" [0mm]	CW12TRCAP-SA	TRADITIONAL	11 7/8" [301.6mm]	+1/16" [1.6mm] -0" [0mm]	CW12TRBASE-SA	TRADITIONAL	11 7/8" [301.6mm]	+1/16" [1.6mm] -0" [0mm]
CWPM12X108SRS	CW4NTRP12X12X108-SA	12"	11 3/4" [298.5mm]	+0" [0mm] -1/16" [1.6mm]	108" [2743.2mm]	+1/4" [6.4mm] -0" [0mm]	CW12TRCAP-SA	TRADITIONAL	11 7/8" [301.6mm]	+1/16" [1.6mm] -0" [0mm]	CW12TRBASE-SA	TRADITIONAL	11 7/8" [301.6mm]	+1/16" [1.6mm] -0" [0mm]
CWPM12X120SRS	CW4NTRP12X12X120-SA	12"	11 3/4" [298.5mm]	+0" [0mm] -1/16" [1.6mm]	120" [3048.0mm]	+1/4" [6.4mm] -0" [0mm]	CW12TRCAP-SA	TRADITIONAL	11 7/8" [301.6mm]	+1/16" [1.6mm] -0" [0mm]	CW12TRBASE-SA	TRADITIONAL	11 7/8" [301.6mm]	+1/16" [1.6mm] -0" [0mm]
CWPM12X144SRS	CW4NTRP12X12X144-SA	12"	11 3/4" [298.5mm]	+0" [0mm] -1/16" [1.6mm]	144" [3657.6mm]	+1/4" [6.4mm] -0" [0mm]	CW12TRCAP-SA	TRADITIONAL	11 7/8" [301.6mm]	+1/16" [1.6mm] -0" [0mm]	CW12TRBASE-SA	TRADITIONAL	11 7/8" [301.6mm]	+1/16" [1.6mm] -0" [0mm]

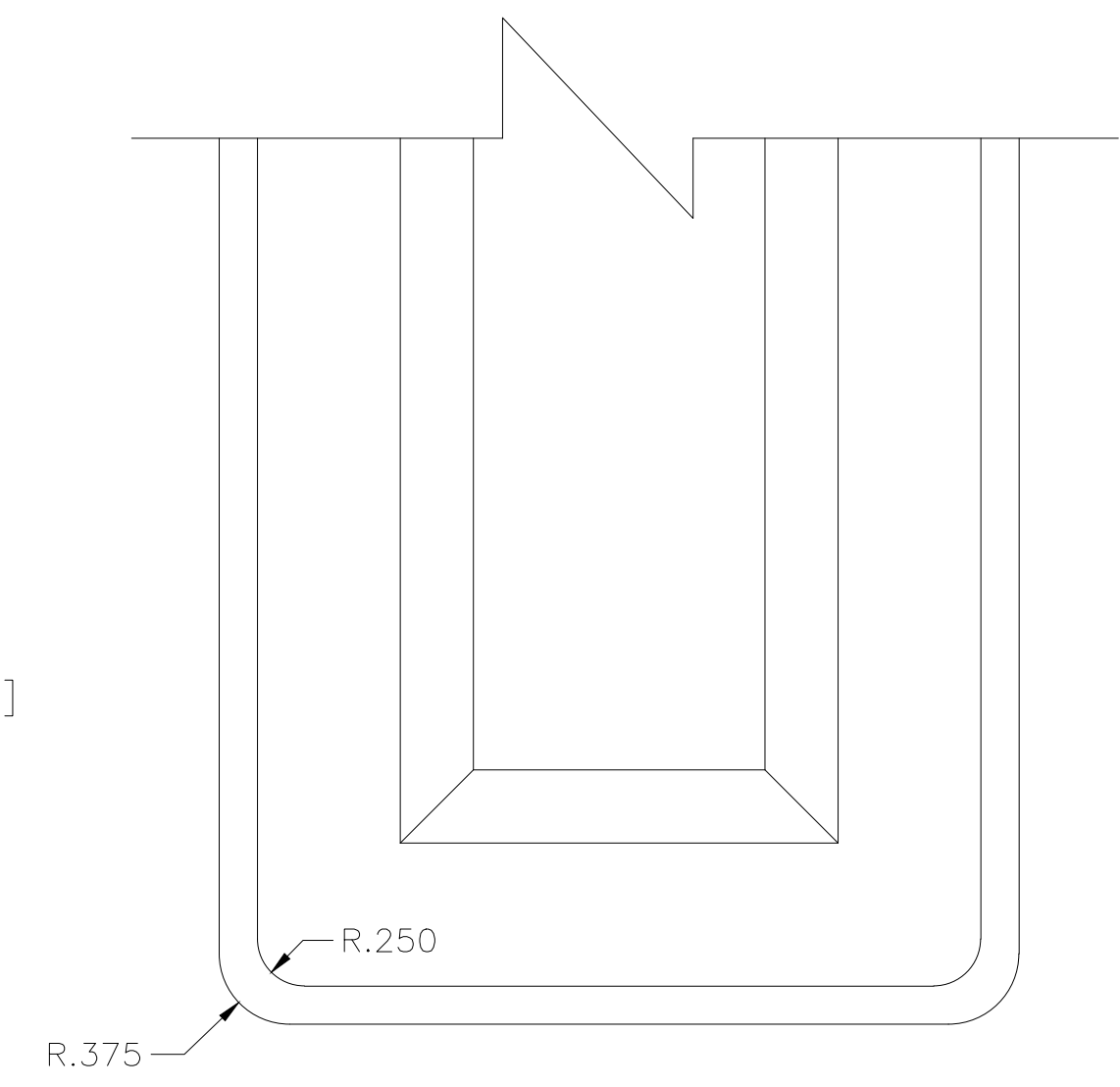
PART NUMBER (Part Number)	5/8" THICK CLEAT (-SA Part Number)	Style Cleat	"E"	"E" Tolerance
CWPM8X72SFT	CW8CLT1-1/16-SA	TRADITIONAL	7 25/32" [197.6mm]	+1/16" [1.6mm] -0" [0mm]
CWPM8X96SFT	CW8CLT1-1/16-SA	TRADITIONAL	7 25/32" [197.6mm]	+1/16" [1.6mm] -0" [0mm]
CWPM8X108SFT	CW8CLT1-1/16-SA	TRADITIONAL	7 25/32" [197.6mm]	+1/16" [1.6mm] -0" [0mm]
CWPM8X120SFT	CW8CLT1-1/16-SA	TRADITIONAL	7 25/32" [197.6mm]	+1/16" [1.6mm] -0" [0mm]
CWPM8X144SFT	CW8CLT1-1/16-SA	TRADITIONAL	7 25/32" [197.6mm]	+1/16" [1.6mm] -0" [0mm]
CWPM10X72SFT	CW10CLT1-1/16-SA	TRADITIONAL	9 25/32" [248.4mm]	+1/16" [1.6mm] -0" [0mm]
CWPM10X96SFT	CW10CLT1-1/16-SA	TRADITIONAL	9 25/32" [248.4mm]	+1/16" [1.6mm] -0" [0mm]
CWPM10X108SFT	CW10CLT1-1/16-SA	TRADITIONAL	9 25/32" [248.4mm]	+1/16" [1.6mm] -0" [0mm]
CWPM10X120SFT	CW10CLT1-1/16-SA	TRADITIONAL	9 25/32" [248.4mm]	+1/16" [1.6mm] -0" [0mm]
CWPM10X144SFT	CW10CLT1-1/16-SA	TRADITIONAL	9 25/32" [248.4mm]	+1/16" [1.6mm] -0" [0mm]
CWPM12X72SFT	CW12CLT1-1/16-SA	TRADITIONAL	11 25/32" [299.2mm]	+1/16" [1.6mm] -0" [0mm]
CWPM12X96SFT	CW12CLT1-1/16-SA	TRADITIONAL	11 25/32" [299.2mm]	+1/16" [1.6mm] -0" [0mm]
CWPM12X108SFT	CW12CLT1-1/16-SA	TRADITIONAL	11 25/32" [299.2mm]	+1/16" [1.6mm] -0" [0mm]
CWPM12X120SFT	CW12CLT1-1/16-SA	TRADITIONAL	11 25/32" [299.2mm]	+1/16" [1.6mm] -0" [0mm]
CWPM12X144SFT	CW12CLT1-1/16-SA	TRADITIONAL	11 25/32" [299.2mm]	+1/16" [1.6mm] -0" [0mm]



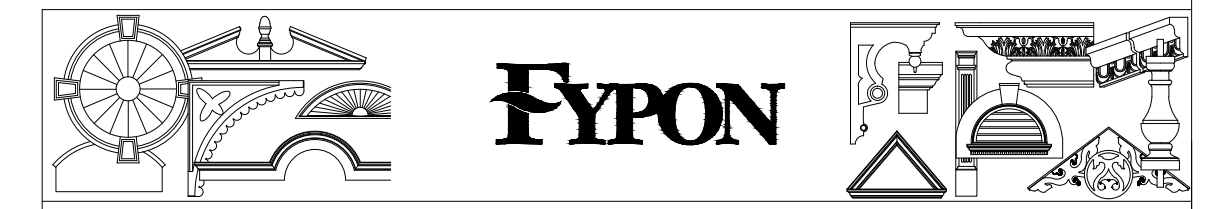
CLEAT DIMENSIONS

NOTE: 4 CLEATS REQUIRED PER KIT

Qty.	Style	Actual "E"	"E" Tolerance
4	TRADITIONAL	SEE TABLE	+1/16" [1.6mm] -0" [0mm]

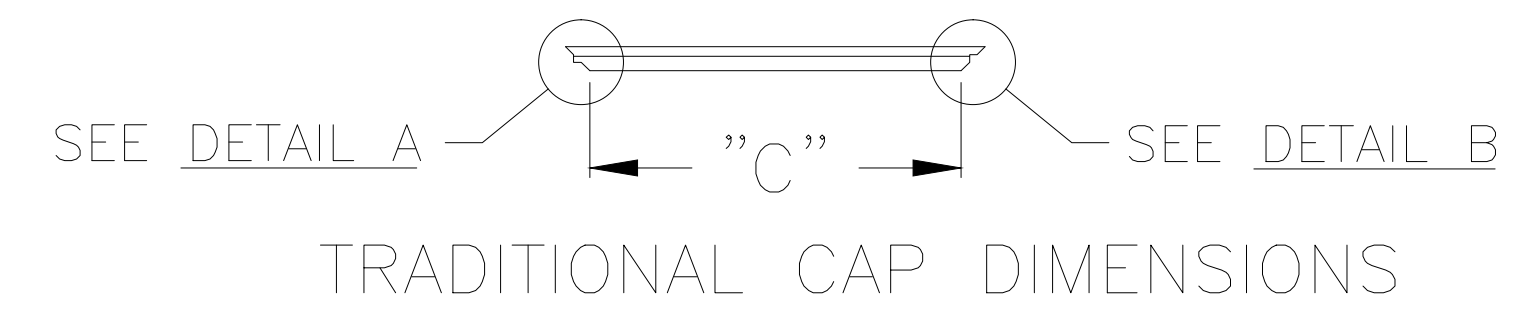
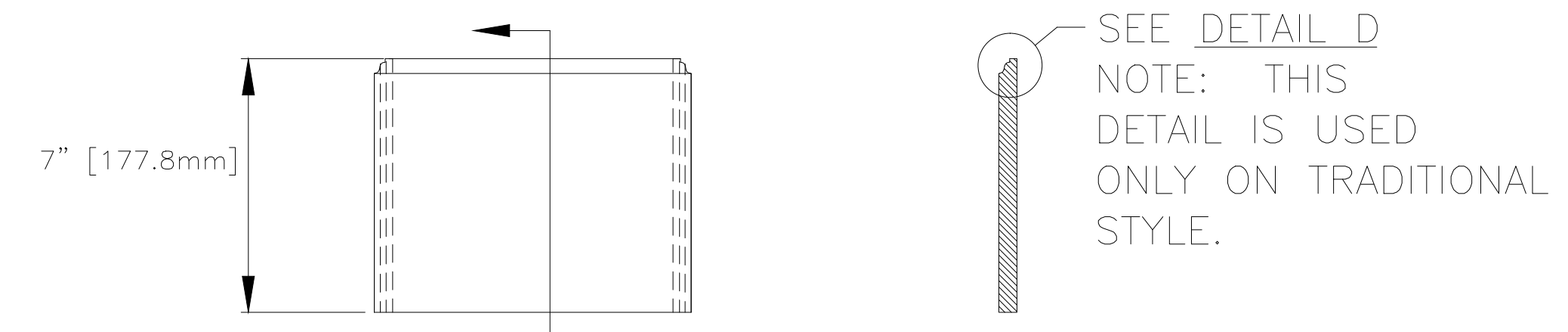
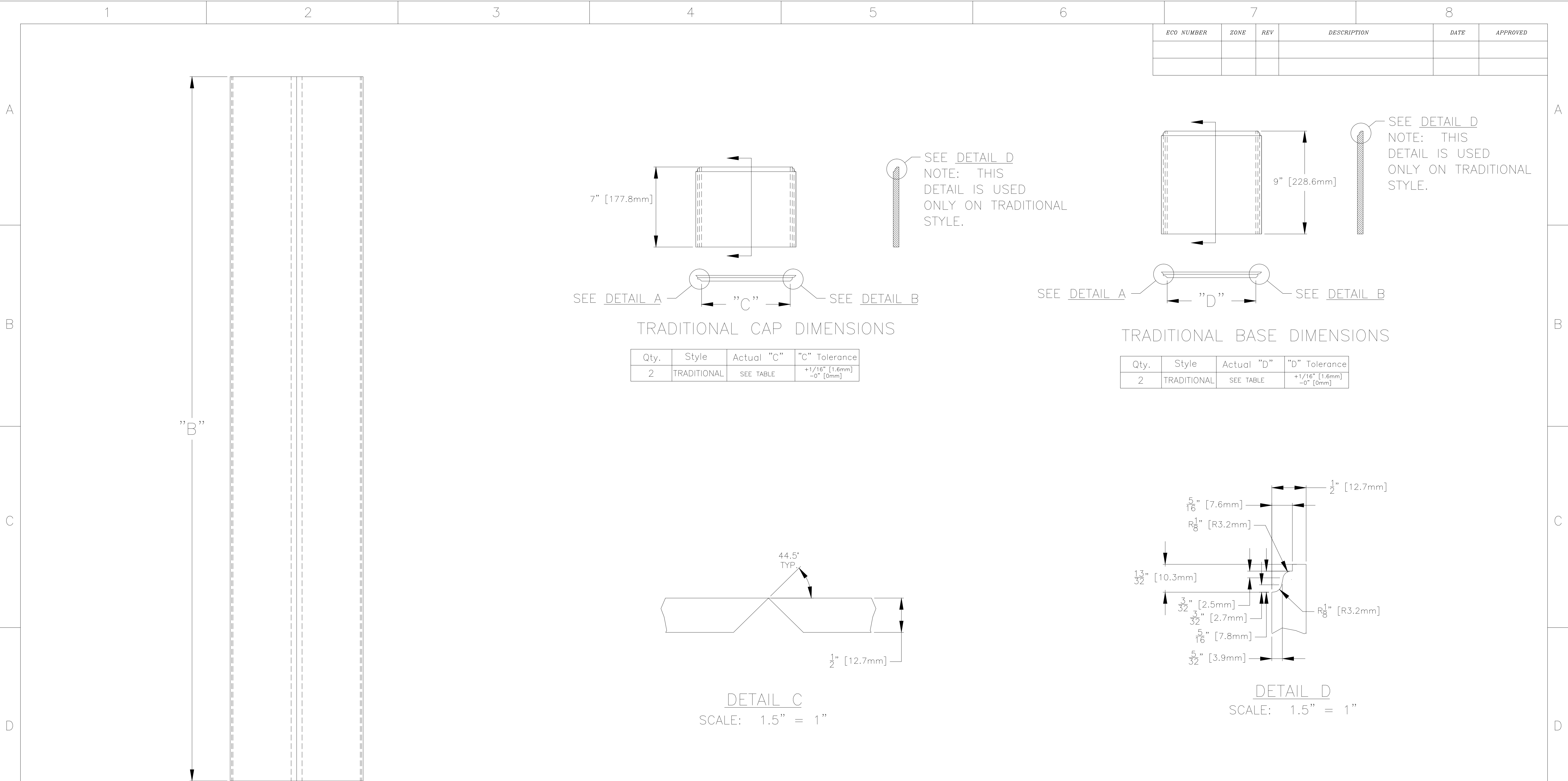


DETAIL F
SCALE: 1.5" = 1"

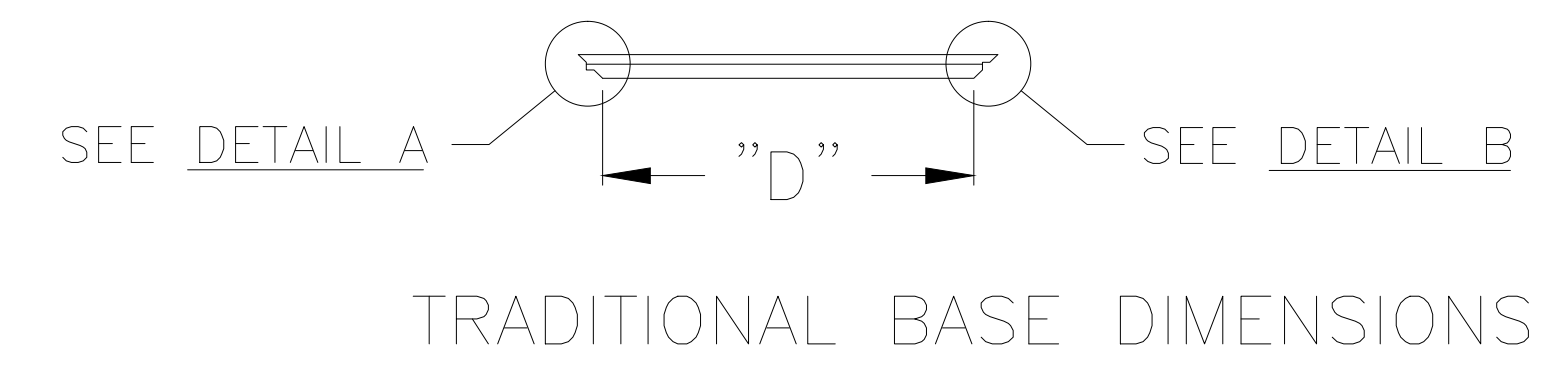
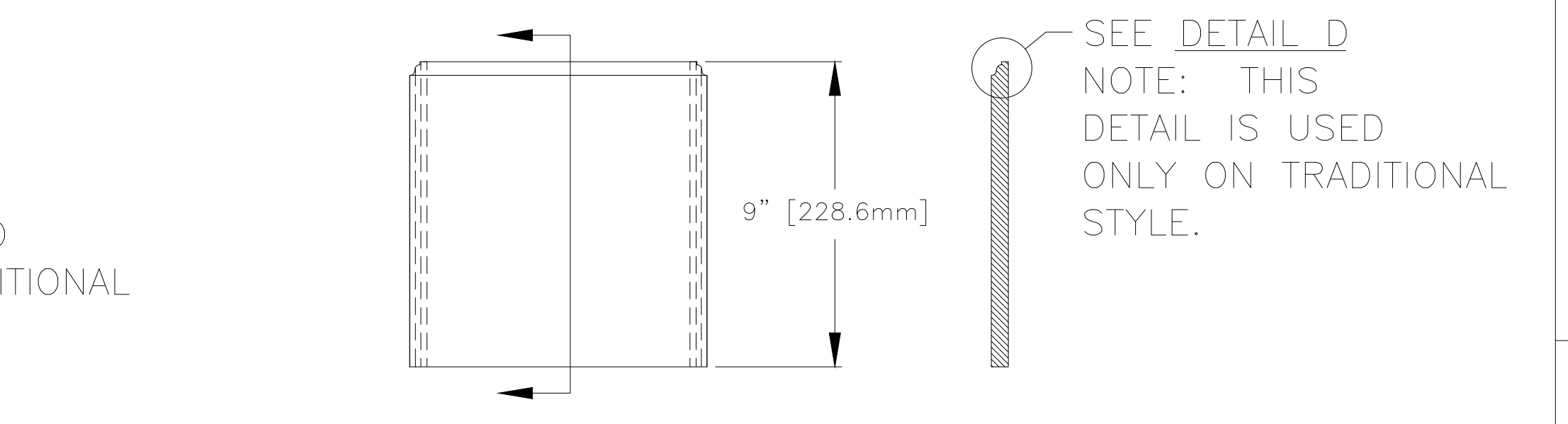


TITLE PREMIUM SELECT SQUARE RAISED (SRS)			
PREMIUM SELECT COLUMN WRAPSQUARE RAISED PANEL KIT			
SIZE D	QUOTED ITEM NUMBER	DRWG NO.	REV 0
DRAWN BY HL	DATE 1/22/18	CHECKED BY	CHECKED BY
SCALE NONE	DO NOT SCALE DRAWING	SHEET 2	OF 2
UNLESS OTHERWISE SPECIFIED, ALL DIMENSIONS ARE IN INCHES			

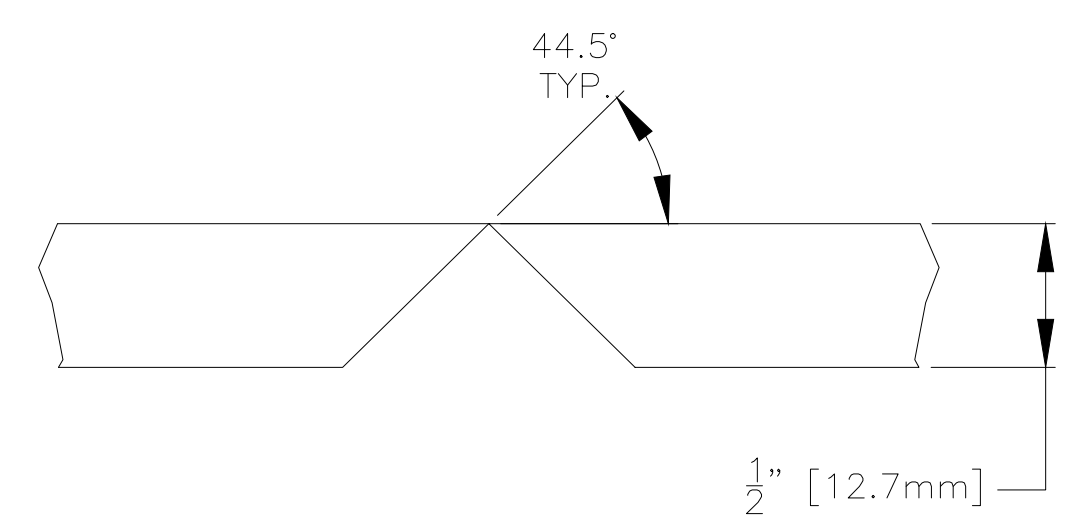
ECO NUMBER	ZONE	REV	DESCRIPTION	DATE	APPROVED



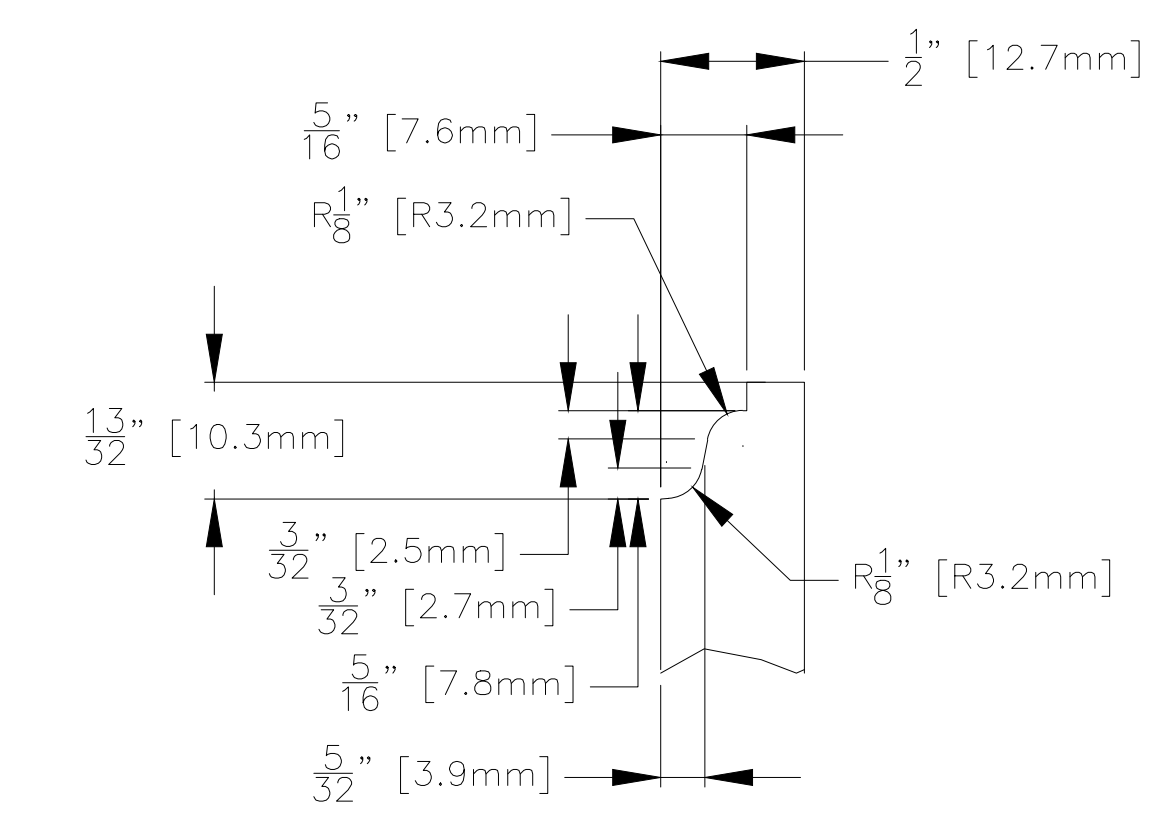
Qty.	Style	Actual "C"	"C" Tolerance
2	TRADITIONAL	SEE TABLE	+1/16" [1.6mm] -0" [0mm]



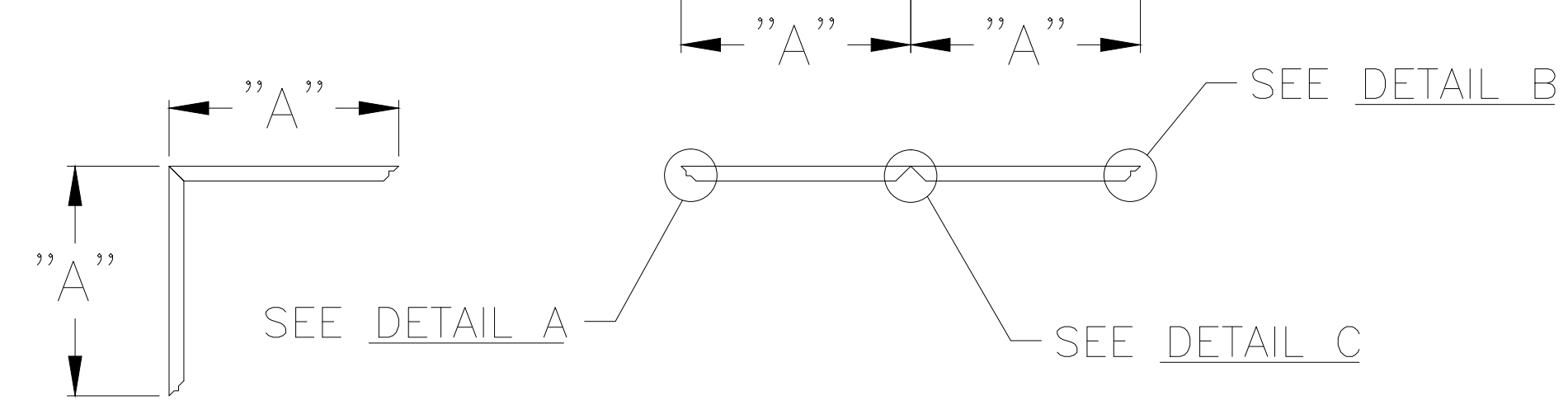
Qty.	Style	Actual "D"	"D" Tolerance
2	TRADITIONAL	SEE TABLE	+1/16" [1.6mm] -0" [0mm]



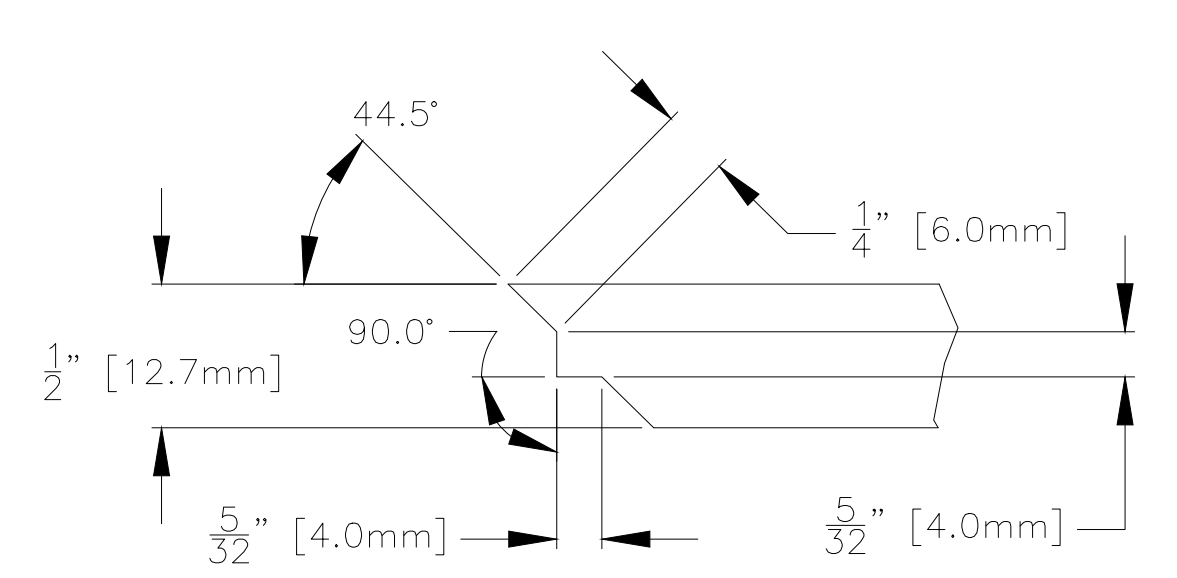
DETAIL C
SCALE: 1.5" = 1"



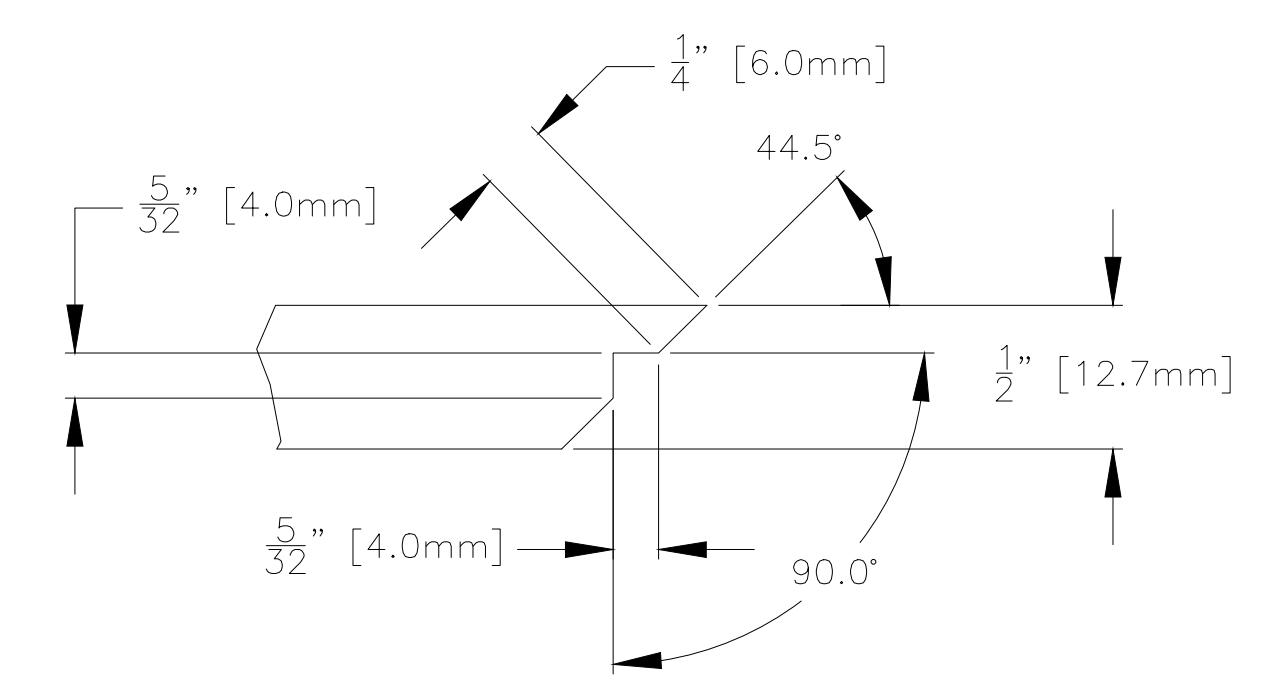
DETAIL D
SCALE: 1.5" = 1"



Qty.	Nominal "A"	Actual "A"	"A" Tolerance	Nominal/Actual "B"	"B" Tolerance
2	SEE TABLE	SEE TABLE	+0" [0mm] -1/16" [1.6mm]	SEE TABLE	+1/4" [6.4mm] -0" [0mm]



DETAIL A
SCALE: 1.5" = 1"



DETAIL B
SCALE: 1.5" = 1"

FYPON

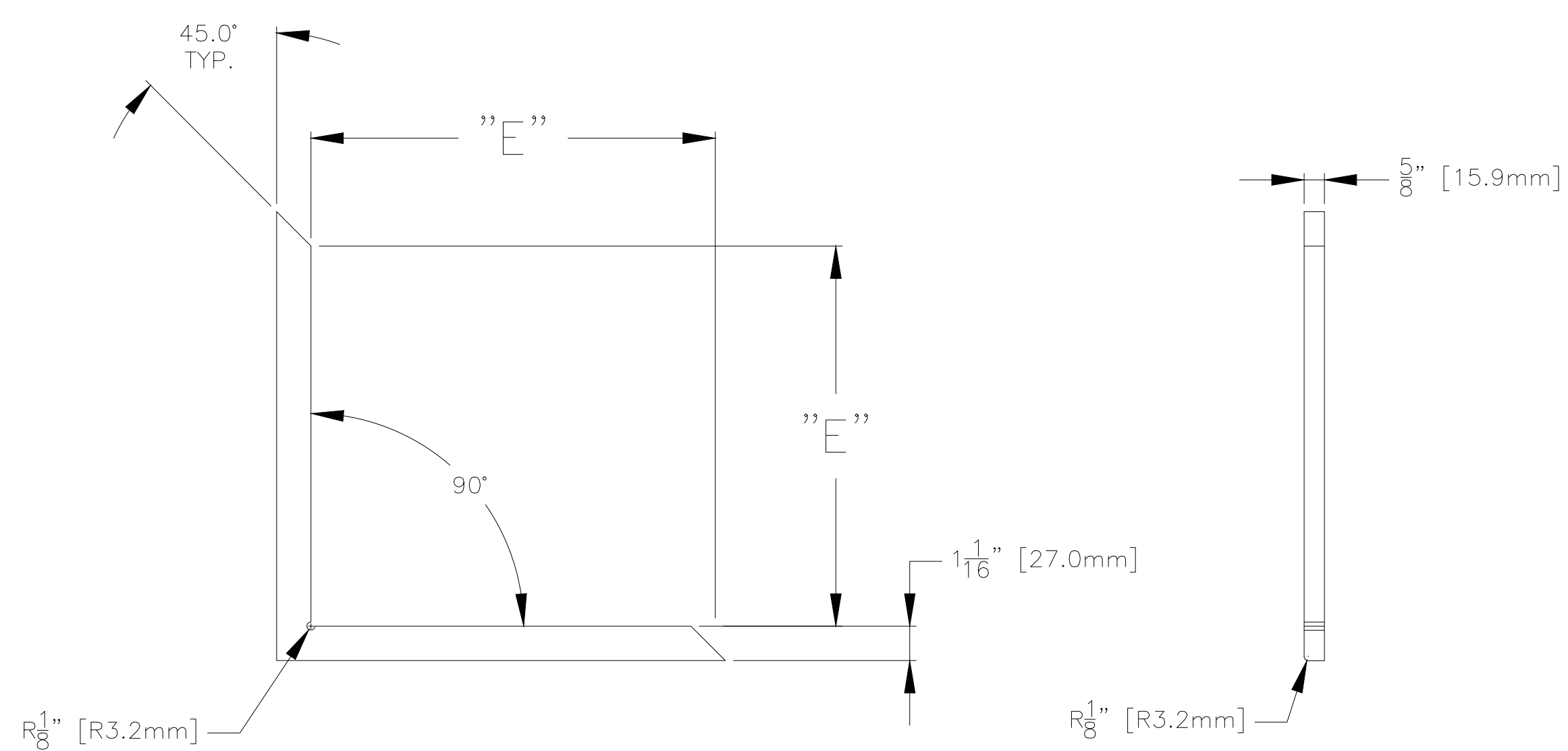
TITLE: PREMIUM SELECT SQUARE FLAT (SFT)
PREMIUM SELECT COLUMN WRAP SQUARE FLAT KIT

SIZE	QUOTED ITEM NUMBER	DRWG NO.	REV
D			0
DRAWN BY	DATE	CHECKED BY	CHECKED BY
HL	1/10/18		
SCALE	DO NOT SCALE DRAWING	SHEET	1 OF 2
UNLESS OTHERWISE SPECIFIED, ALL DIMENSIONS ARE IN INCHES			

ECO NUMBER	ZONE	REV	DESCRIPTION	DATE	APPROVED

PART NUMBER (Part Number)	1/2" THICK COLUMN (-SA Part Number)	Nominal "A"	Actual "A"	"A" Tolerance	Nominal/Actual "B"	"B" TOLERANCE	1/2" THICK CAP (-SA Part Number)	Style Cap	Actual "C"	"C" Tolerance	1/2" THICK BASE (-SA Part Number)	Style Base	Actual "D"	"D" Tolerance
CWPM6X72SFT	CW4NTPL6X6X72-SA	6"	5 3/4" [146.1mm]	+0" [0mm] -1/16" [1.6mm]	72" [1828.8mm]	+1/4" [6.4mm] -0" [0mm]	CW6TRCAP-SA	TRADITIONAL	5 7/8" [149.2mm]	+1/16" [1.6mm] -0" [0mm]	CW6TRBASE-SA	TRADITIONAL	5 7/8" [149.2mm]	+1/16" [1.6mm] -0" [0mm]
CWPM6X96SFT	CW4NTPL6X6X96-SA	6"	5 3/4" [146.1mm]	+0" [0mm] -1/16" [1.6mm]	96" [2438.4mm]	+1/4" [6.4mm] -0" [0mm]	CW6TRCAP-SA	TRADITIONAL	5 7/8" [149.2mm]	+1/16" [1.6mm] -0" [0mm]	CW6TRBASE-SA	TRADITIONAL	5 7/8" [149.2mm]	+1/16" [1.6mm] -0" [0mm]
CWPM6X108SFT	CW4NTPL6X6X108-SA	6"	5 3/4" [146.1mm]	+0" [0mm] -1/16" [1.6mm]	108" [2743.2mm]	+1/4" [6.4mm] -0" [0mm]	CW6TRCAP-SA	TRADITIONAL	5 7/8" [149.2mm]	+1/16" [1.6mm] -0" [0mm]	CW6TRBASE-SA	TRADITIONAL	5 7/8" [149.2mm]	+1/16" [1.6mm] -0" [0mm]
CWPM6X120SFT	CW4NTPL6X6X120-SA	6"	5 3/4" [146.1mm]	+0" [0mm] -1/16" [1.6mm]	120" [3048.0mm]	+1/4" [6.4mm] -0" [0mm]	CW6TRCAP-SA	TRADITIONAL	5 7/8" [149.2mm]	+1/16" [1.6mm] -0" [0mm]	CW6TRBASE-SA	TRADITIONAL	5 7/8" [149.2mm]	+1/16" [1.6mm] -0" [0mm]
CWPM6X144SFT	CW4NTPL6X6X144-SA	6"	5 3/4" [146.1mm]	+0" [0mm] -1/16" [1.6mm]	144" [3657.6mm]	+1/4" [6.4mm] -0" [0mm]	CW6TRCAP-SA	TRADITIONAL	5 7/8" [149.2mm]	+1/16" [1.6mm] -0" [0mm]	CW6TRBASE-SA	TRADITIONAL	5 7/8" [149.2mm]	+1/16" [1.6mm] -0" [0mm]
CWPM8X72SFT	CW4NTPL8X8X72-SA	8"	7 3/4" [196.9mm]	+0" [0mm] -1/16" [1.6mm]	72" [1828.8mm]	+1/4" [6.4mm] -0" [0mm]	CW8TRCAP-SA	TRADITIONAL	7 7/8" [200.0mm]	+1/16" [1.6mm] -0" [0mm]	CW8TRBASE-SA	TRADITIONAL	7 7/8" [200.0mm]	+1/16" [1.6mm] -0" [0mm]
CWPM8X96SFT	CW4NTPL8X8X96-SA	8"	7 3/4" [196.9mm]	+0" [0mm] -1/16" [1.6mm]	96" [2438.4mm]	+1/4" [6.4mm] -0" [0mm]	CW8TRCAP-SA	TRADITIONAL	7 7/8" [200.0mm]	+1/16" [1.6mm] -0" [0mm]	CW8TRBASE-SA	TRADITIONAL	7 7/8" [200.0mm]	+1/16" [1.6mm] -0" [0mm]
CWPM8X108SFT	CW4NTPL8X8X108-SA	8"	7 3/4" [196.9mm]	+0" [0mm] -1/16" [1.6mm]	108" [2743.2mm]	+1/4" [6.4mm] -0" [0mm]	CW8TRCAP-SA	TRADITIONAL	7 7/8" [200.0mm]	+1/16" [1.6mm] -0" [0mm]	CW8TRBASE-SA	TRADITIONAL	7 7/8" [200.0mm]	+1/16" [1.6mm] -0" [0mm]
CWPM8X120SFT	CW4NTPL8X8X120-SA	8"	7 3/4" [196.9mm]	+0" [0mm] -1/16" [1.6mm]	120" [3048.0mm]	+1/4" [6.4mm] -0" [0mm]	CW8TRCAP-SA	TRADITIONAL	7 7/8" [200.0mm]	+1/16" [1.6mm] -0" [0mm]	CW8TRBASE-SA	TRADITIONAL	7 7/8" [200.0mm]	+1/16" [1.6mm] -0" [0mm]
CWPM8X144SFT	CW4NTPL8X8X144-SA	8"	7 3/4" [196.9mm]	+0" [0mm] -1/16" [1.6mm]	144" [3657.6mm]	+1/4" [6.4mm] -0" [0mm]	CW8TRCAP-SA	TRADITIONAL	7 7/8" [200.0mm]	+1/16" [1.6mm] -0" [0mm]	CW8TRBASE-SA	TRADITIONAL	7 7/8" [200.0mm]	+1/16" [1.6mm] -0" [0mm]
CWPM10X72SFT	CW4NTPL10X10X72-SA	10"	9 3/4" [247.7mm]	+0" [0mm] -1/16" [1.6mm]	72" [1828.8mm]	+1/4" [6.4mm] -0" [0mm]	CW10TRCAP-SA	TRADITIONAL	9 7/8" [250.8mm]	+1/16" [1.6mm] -0" [0mm]	CW10TRBASE-SA	TRADITIONAL	9 7/8" [250.8mm]	+1/16" [1.6mm] -0" [0mm]
CWPM10X96SFT	CW4NTPL10X10X96-SA	10"	9 3/4" [247.7mm]	+0" [0mm] -1/16" [1.6mm]	96" [2438.4mm]	+1/4" [6.4mm] -0" [0mm]	CW10TRCAP-SA	TRADITIONAL	9 7/8" [250.8mm]	+1/16" [1.6mm] -0" [0mm]	CW10TRBASE-SA	TRADITIONAL	9 7/8" [250.8mm]	+1/16" [1.6mm] -0" [0mm]
CWPM10X108SFT	CW4NTPL10X10X108-SA	10"	9 3/4" [247.7mm]	+0" [0mm] -1/16" [1.6mm]	108" [2743.2mm]	+1/4" [6.4mm] -0" [0mm]	CW10TRCAP-SA	TRADITIONAL	9 7/8" [250.8mm]	+1/16" [1.6mm] -0" [0mm]	CW10TRBASE-SA	TRADITIONAL	9 7/8" [250.8mm]	+1/16" [1.6mm] -0" [0mm]
CWPM10X120SFT	CW4NTPL10X10X120-SA	10"	9 3/4" [247.7mm]	+0" [0mm] -1/16" [1.6mm]	120" [3048.0mm]	+1/4" [6.4mm] -0" [0mm]	CW10TRCAP-SA	TRADITIONAL	9 7/8" [250.8mm]	+1/16" [1.6mm] -0" [0mm]	CW10TRBASE-SA	TRADITIONAL	9 7/8" [250.8mm]	+1/16" [1.6mm] -0" [0mm]
CWPM10X144SFT	CW4NTPL10X10X144-SA	10"	9 3/4" [247.7mm]	+0" [0mm] -1/16" [1.6mm]	144" [3657.6mm]	+1/4" [6.4mm] -0" [0mm]	CW10TRCAP-SA	TRADITIONAL	9 7/8" [250.8mm]	+1/16" [1.6mm] -0" [0mm]	CW10TRBASE-SA	TRADITIONAL	9 7/8" [250.8mm]	+1/16" [1.6mm] -0" [0mm]
CWPM12X72SFT	CW4NTPL12X12X72-SA	12"	11 3/4" [298.5mm]	+0" [0mm] -1/16" [1.6mm]	72" [1828.8mm]	+1/4" [6.4mm] -0" [0mm]	CW12TRCAP-SA	TRADITIONAL	11 7/8" [301.6mm]	+1/16" [1.6mm] -0" [0mm]	CW12TRBASE-SA	TRADITIONAL	11 7/8" [301.6mm]	+1/16" [1.6mm] -0" [0mm]
CWPM12X96SFT	CW4NTPL12X12X96-SA	12"	11 3/4" [298.5mm]	+0" [0mm] -1/16" [1.6mm]	96" [2438.4mm]	+1/4" [6.4mm] -0" [0mm]	CW12TRCAP-SA	TRADITIONAL	11 7/8" [301.6mm]	+1/16" [1.6mm] -0" [0mm]	CW12TRBASE-SA	TRADITIONAL	11 7/8" [301.6mm]	+1/16" [1.6mm] -0" [0mm]
CWPM12X108SFT	CW4NTPL12X12X108-SA	12"	11 3/4" [298.5mm]	+0" [0mm] -1/16" [1.6mm]	108" [2743.2mm]	+1/4" [6.4mm] -0" [0mm]	CW12TRCAP-SA	TRADITIONAL	11 7/8" [301.6mm]	+1/16" [1.6mm] -0" [0mm]	CW12TRBASE-SA	TRADITIONAL	11 7/8" [301.6mm]	+1/16" [1.6mm] -0" [0mm]
CWPM12X120SFT	CW4NTPL12X12X120-SA	12"	11 3/4" [298.5mm]	+0" [0mm] -1/16" [1.6mm]	120" [3048.0mm]	+1/4" [6.4mm] -0" [0mm]	CW12TRCAP-SA	TRADITIONAL	11 7/8" [301.6mm]	+1/16" [1.6mm] -0" [0mm]	CW12TRBASE-SA	TRADITIONAL	11 7/8" [301.6mm]	+1/16" [1.6mm] -0" [0mm]
CWPM12X144SFT	CW4NTPL12X12X144-SA	12"	11 3/4" [298.5mm]	+0" [0mm] -1/16" [1.6mm]	144" [3657.6mm]	+1/4" [6.4mm] -0" [0mm]	CW12TRCAP-SA	TRADITIONAL	11 7/8" [301.6mm]	+1/16" [1.6mm] -0" [0mm]	CW12TRBASE-SA	TRADITIONAL	11 7/8" [301.6mm]	+1/16" [1.6mm] -0" [0mm]

PART NUMBER (Part Number)	5/8" THICK CLEAT (-SA Part Number)	Style Cleat	"E"	"E" Tolerance
CWPM6X72SFT	CW6CLT1-1/16-SA	TRADITIONAL	5 25/32" [146.8mm]	+1/16" [1.6mm] -0" [0mm]
CWPM6X96SFT	CW6CLT1-1/16-SA	TRADITIONAL	5 25/32" [146.8mm]	+1/16" [1.6mm] -0" [0mm]
CWPM6X108SFT	CW6CLT1-1/16-SA	TRADITIONAL	5 25/32" [146.8mm]	+1/16" [1.6mm] -0" [0mm]
CWPM6X120SFT	CW6CLT1-1/16-SA	TRADITIONAL	5 25/32" [146.8mm]	+1/16" [1.6mm] -0" [0mm]
CWPM6X144SFT	CW6CLT1-1/16-SA	TRADITIONAL	5 25/32" [146.8mm]	+1/16" [1.6mm] -0" [0mm]
CWPM8X72SFT	CW8CLT1-1/16-SA	TRADITIONAL	7 25/32" [197.6mm]	+1/16" [1.6mm] -0" [0mm]
CWPM8X96SFT	CW8CLT1-1/16-SA	TRADITIONAL	7 25/32" [197.6mm]	+1/16" [1.6mm] -0" [0mm]
CWPM8X108SFT	CW8CLT1-1/16-SA	TRADITIONAL	7 25/32" [197.6mm]	+1/16" [1.6mm] -0" [0mm]
CWPM8X120SFT	CW8CLT1-1/16-SA	TRADITIONAL	7 25/32" [197.6mm]	+1/16" [1.6mm] -0" [0mm]
CWPM8X144SFT	CW8CLT1-1/16-SA	TRADITIONAL	7 25/32" [197.6mm]	+1/16" [1.6mm] -0" [0mm]
CWPM10X72SFT	CW10CLT1-1/16-SA	TRADITIONAL	9 25/32" [248.4mm]	+1/16" [1.6mm] -0" [0mm]
CWPM10X96SFT	CW10CLT1-1/16-SA	TRADITIONAL	9 25/32" [248.4mm]	+1/16" [1.6mm] -0" [0mm]
CWPM10X108SFT	CW10CLT1-1/16-SA	TRADITIONAL	9 25/32" [248.4mm]	+1/16" [1.6mm] -0" [0mm]
CWPM10X120SFT	CW10CLT1-1/16-SA	TRADITIONAL	9 25/32" [248.4mm]	+1/16" [1.6mm] -0" [0mm]
CWPM10X144SFT	CW10CLT1-1/16-SA	TRADITIONAL	9 25/32" [248.4mm]	+1/16" [1.6mm] -0" [0mm]
CWPM12X72SFT	CW12CLT1-1/16-SA	TRADITIONAL	11 25/32" [299.2mm]	+1/16" [1.6mm] -0" [0mm]
CWPM12X96SFT	CW12CLT1-1/16-SA	TRADITIONAL	11 25/32" [299.2mm]	+1/16" [1.6mm] -0" [0mm]
CWPM12X108SFT	CW12CLT1-1/16-SA	TRADITIONAL	11 25/32" [299.2mm]	+1/16" [1.6mm] -0" [0mm]
CWPM12X120SFT	CW12CLT1-1/16-SA	TRADITIONAL	11 25/32" [299.2mm]	+1/16" [1.6mm] -0" [0mm]
CWPM12X144SFT	CW12CLT1-1/16-SA	TRADITIONAL	11 25/32" [299.2mm]	+1/16" [1.6mm] -0" [0mm]



CLEAT DIMENSIONS

NOTE: 4 CLEATS REQUIRED PER KIT

Qty.	Style	Actual "E"	"E" Tolerance
4	TRADITIONAL	SEE TABLE	+1/16" [1.6mm] -0" [0mm]



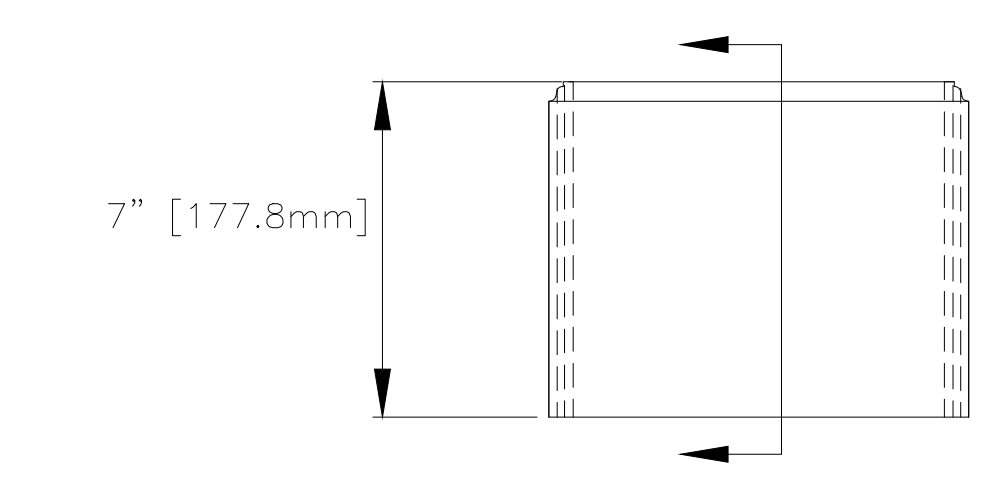
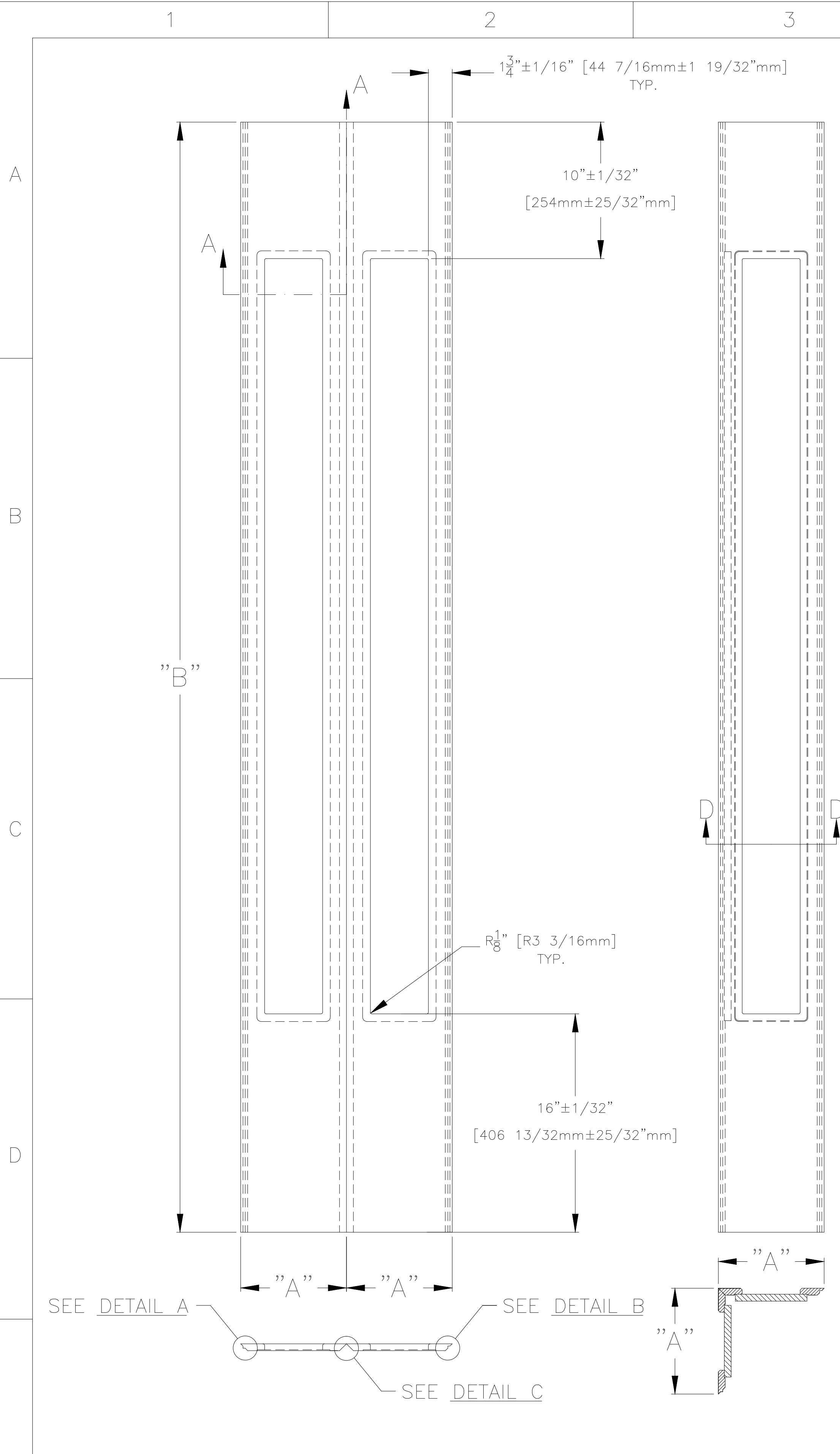
TITLE PREMIUM SELECT SQUARE FLAT (SFT)

PREMIUM SELECT COLUMN WRAP SQUARE FLAT KIT

SIZE	QUOTED ITEM NUMBER	DRWG NO.	REV
D			0
DRAWN BY	HL	DATE 1/10/18	CHECKED BY
SCALE	NONE	DO NOT SCALE DRAWING	SHEET 2 OF 2

UNLESS OTHERWISE SPECIFIED, ALL DIMENSIONS ARE IN INCHES

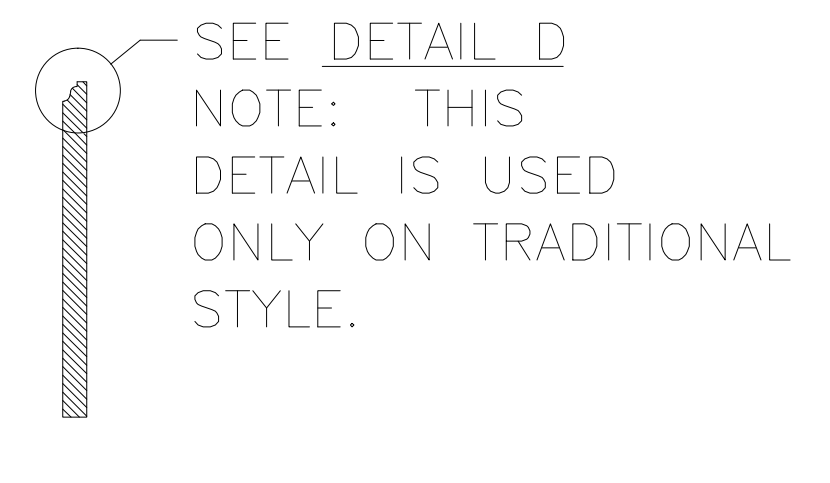
ECO NUMBER	ZONE	REV	DESCRIPTION	DATE	APPROVED



SEE DETAIL A "C" SEE DETAIL B

TRADITIONAL CAP DIMENSIONS

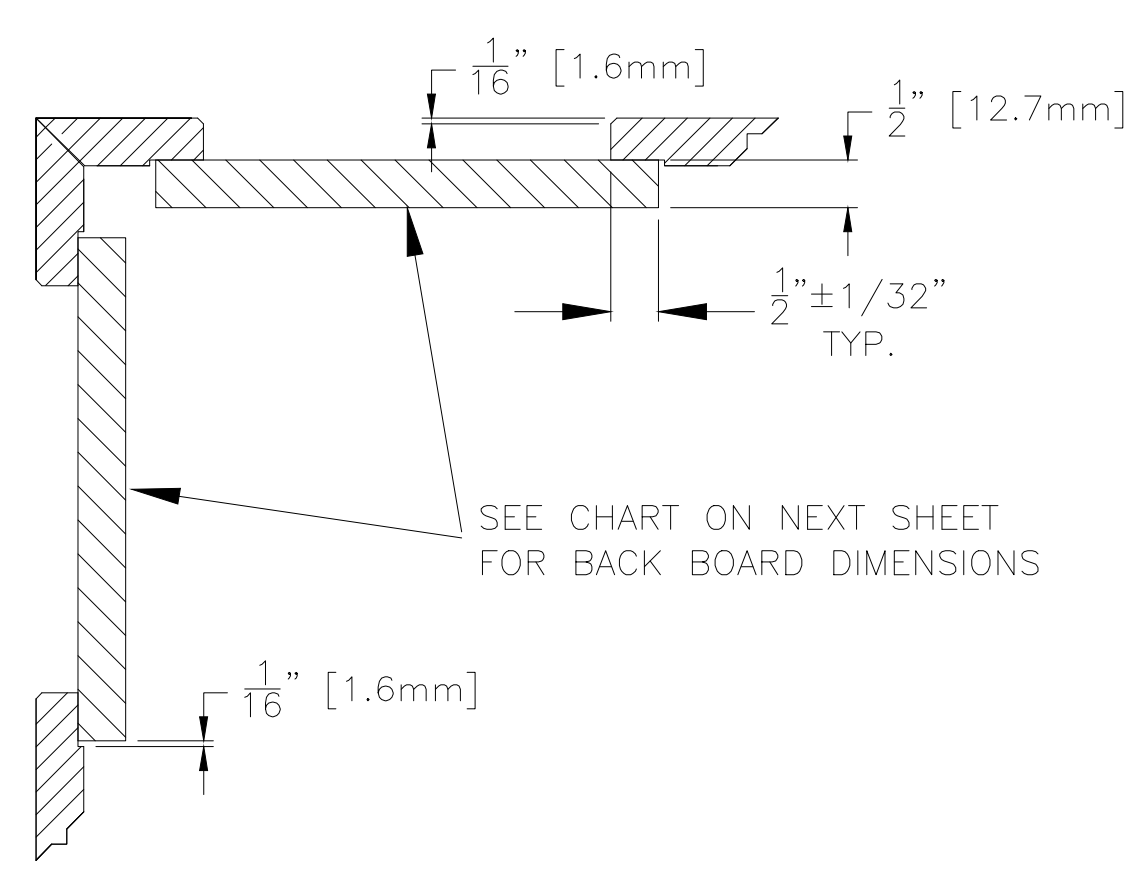
Qty.	Style	Actual "C"	"C" Tolerance
2	TRADITIONAL	SEE TABLE	+1/16" [1.6mm] -0" [0mm]



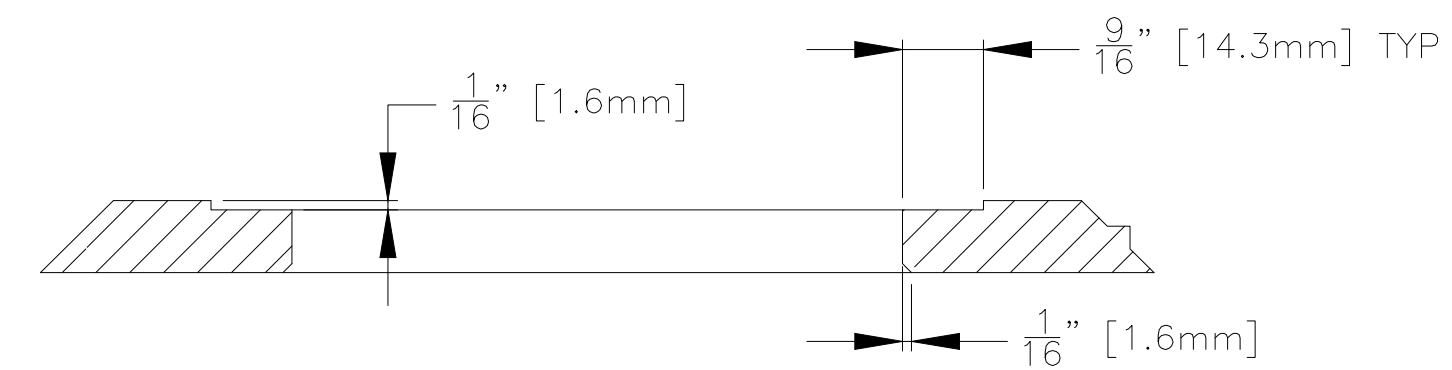
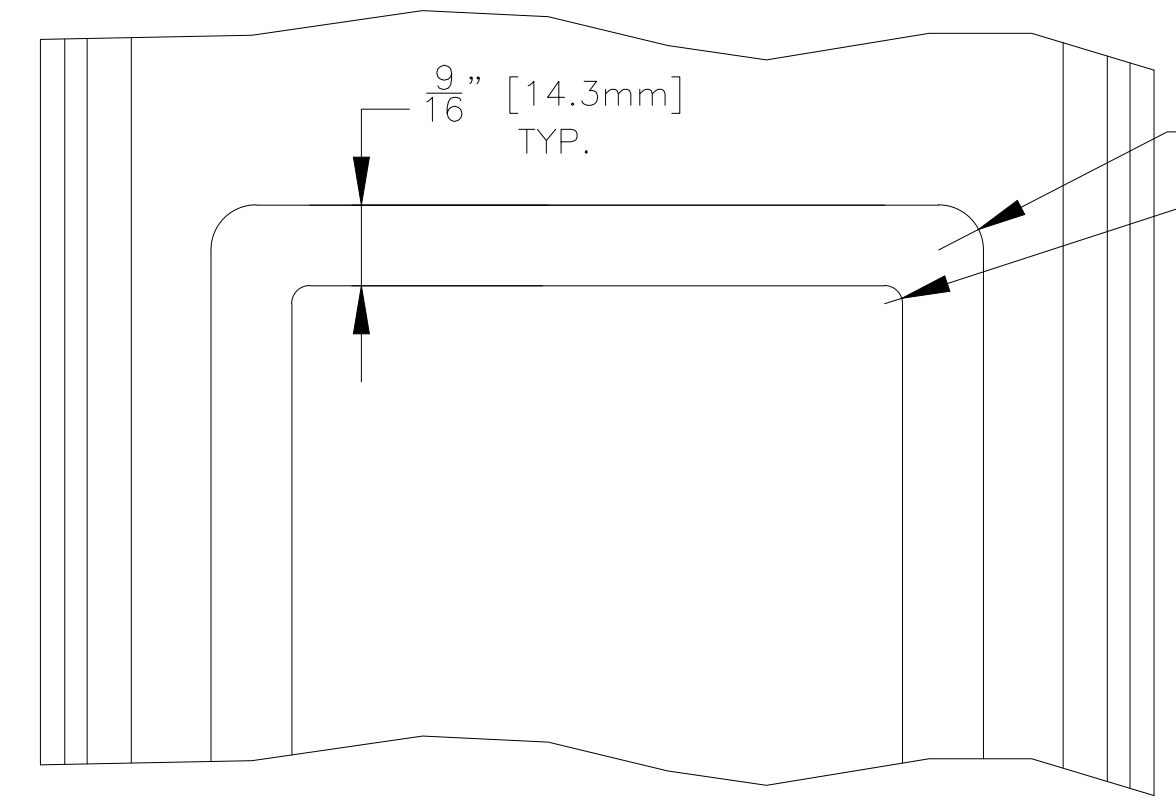
SEE DETAIL A "D" SEE DETAIL B

TRADITIONAL BASE DIMENSIONS

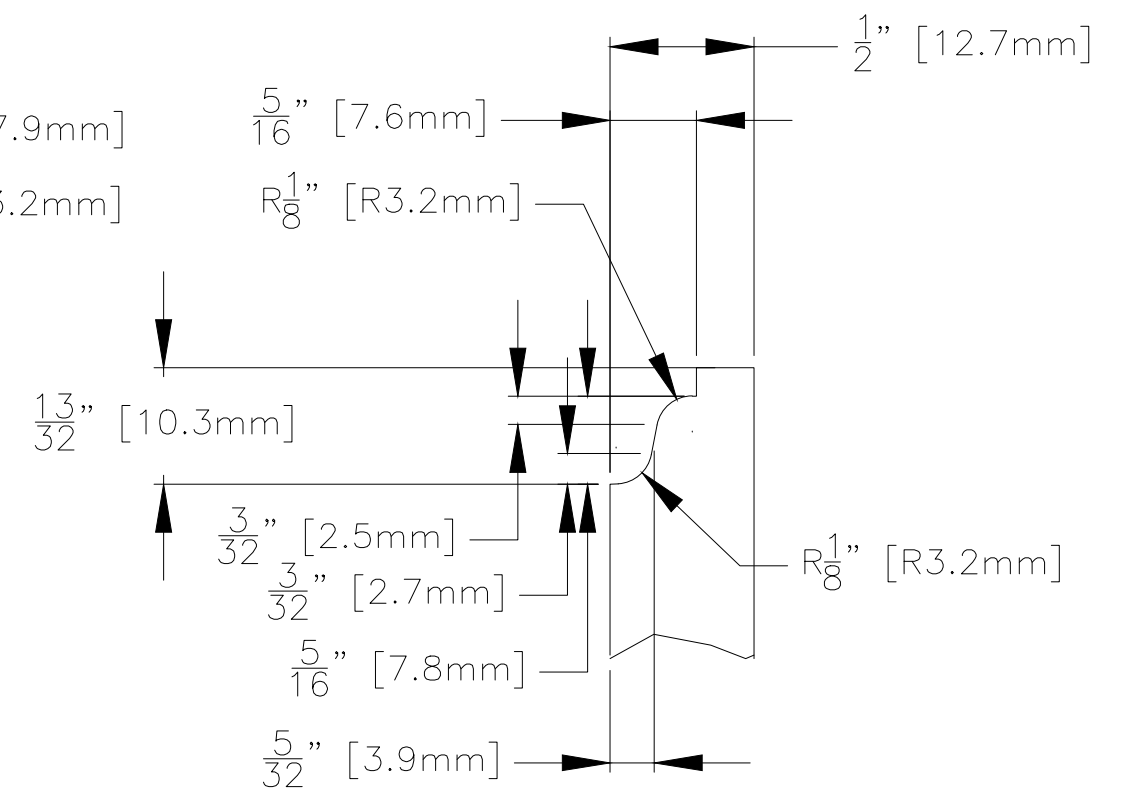
Qty.	Style	Actual "D"	"D" Tolerance
2	TRADITIONAL	SEE TABLE	+1/16" [1.6mm] -0" [0mm]



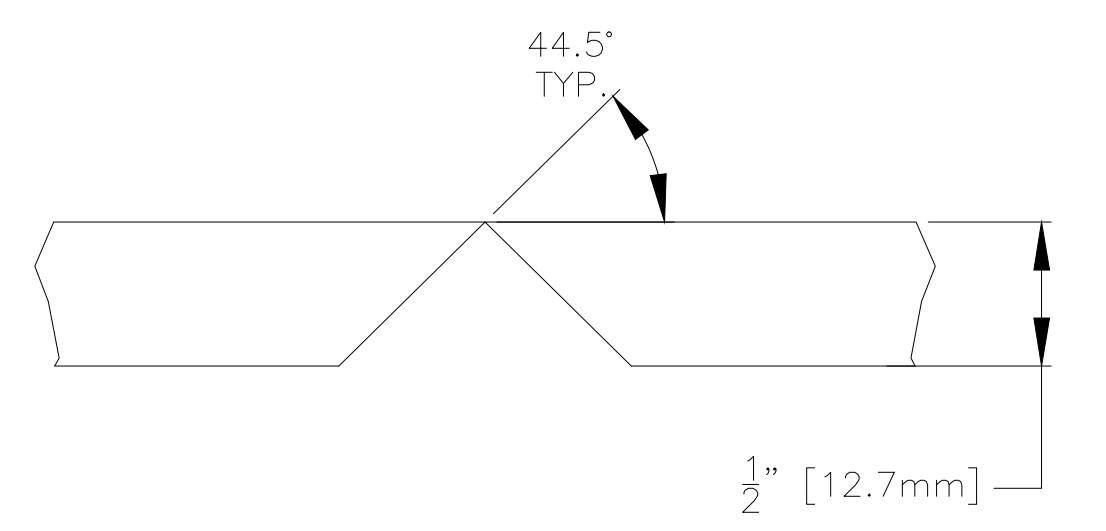
SECTION D-D
SCALE: 1/2" = 1"



SECTION A-A
SCALE: .75" = 1"



DETAIL D
SCALE: 1.5" = 1"

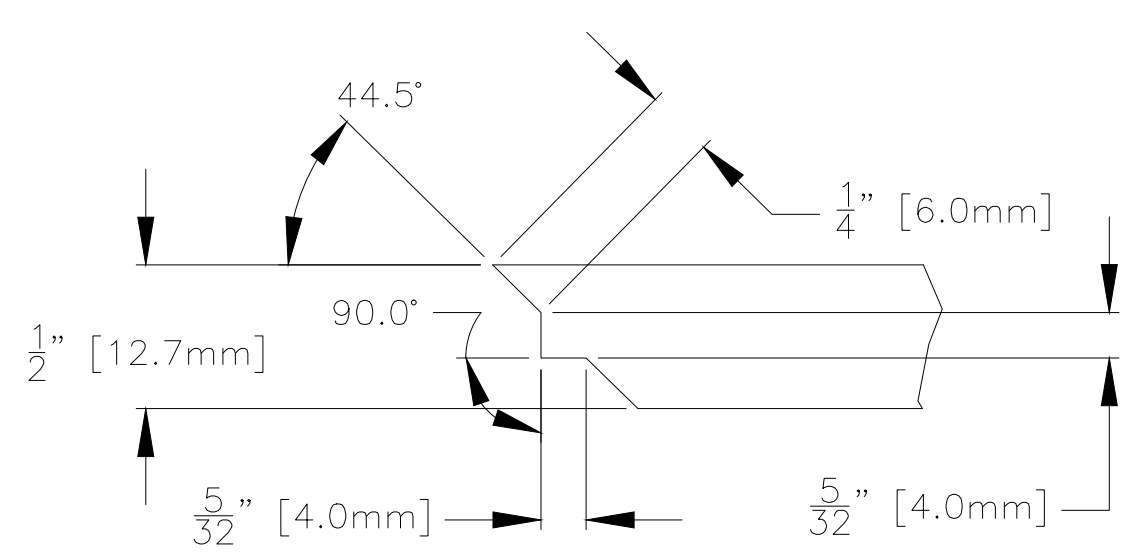


DETAIL C
SCALE: 1.5" = 1"

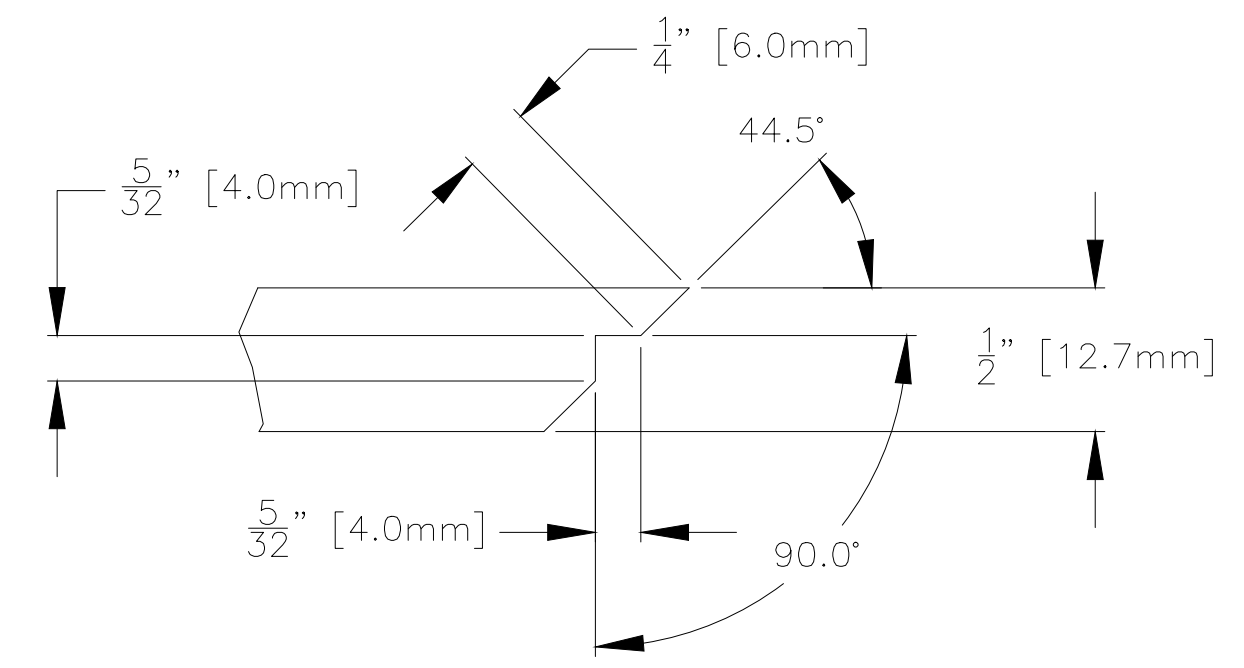
SEE DETAIL A, SEE DETAIL B, SEE DETAIL C

SHAFT DIMENSIONS

Qty.	Nominal "A"	Actual "A"	"A" Tolerance	Nominal/Actual "B"	"B" Tolerance
2	SEE TABLE	SEE TABLE	+0" [0mm] -1/16" [1.6mm]	SEE TABLE	+1/4" [6.4mm] -0" [0mm]



DETAIL A
SCALE: 1.5" = 1"



DETAIL B
SCALE: 1.5" = 1"

FYPON

TITLE: PREMIUM SELECT SQUARE RECESSED (SRC)
 PREMIUM SELECT COLUMN WRAP SQUARE RECESSED PANEL KIT

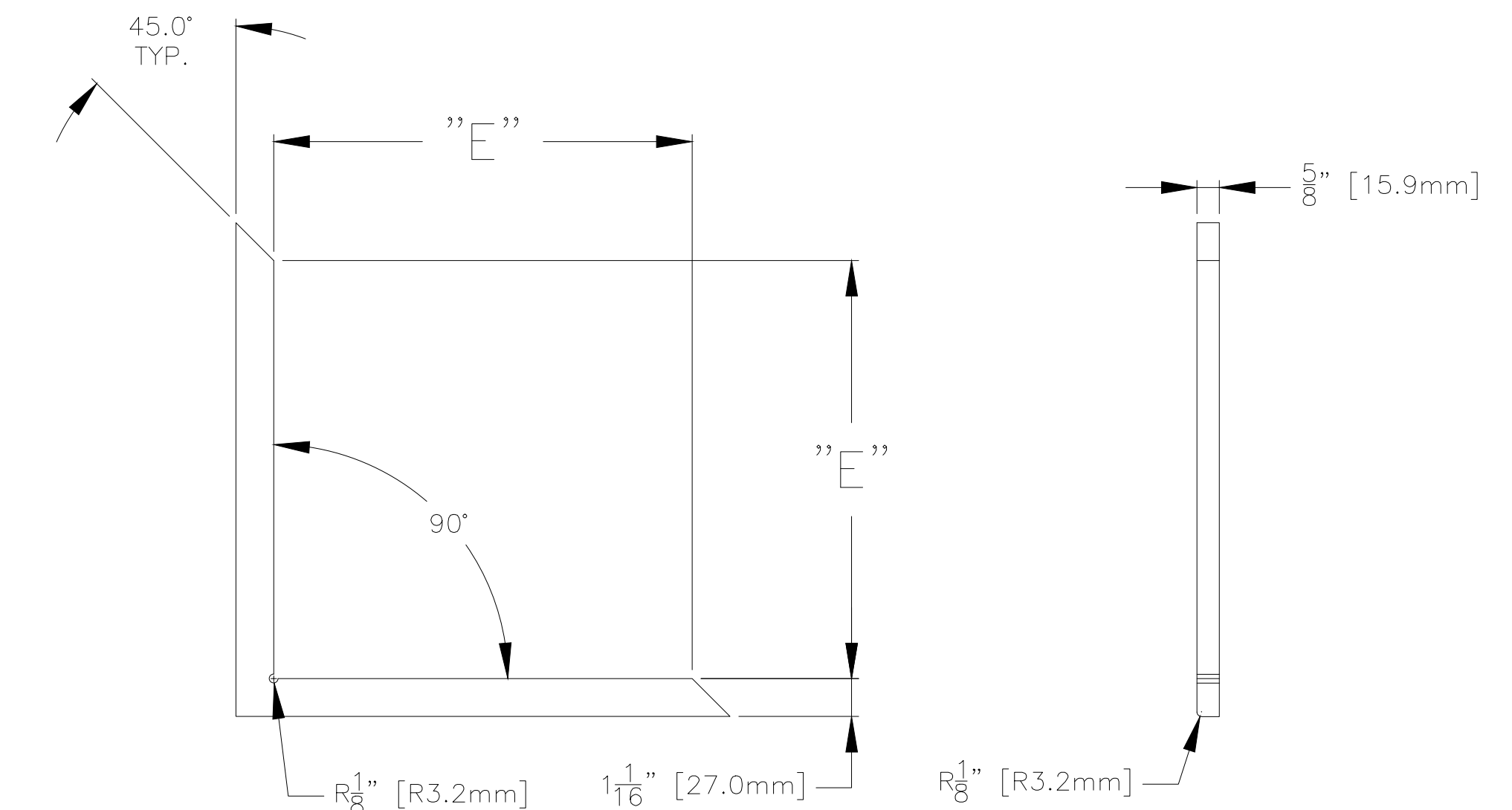
SIZE D	QUOTED ITEM NUMBER	DRWG NO.	REV 0
DRAWN BY HL	DATE 6/8/17	CHECKED BY	CHECKED BY
SCALE NONE	DO NOT SCALE DRAWING	SHEET 1 OF 2	

UNLESS OTHERWISE SPECIFIED, ALL DIMENSIONS ARE IN INCHES

ECO NUMBER	ZONE	REV	DESCRIPTION	DATE	APPROVED

PART NUMBER (Part Number)	1/2" thick COLUMN (-SA Part Number)	Nominal "A"	Actual "A"	"A" Tolerance	Nominal/Actual "B"	"B" TOLERANCE	1/2" thick CAP (-SA Part Number)	Style Cap	Actual "C"	"C" Tolerance	1/2" thick BASE (-SA Part Number)	Style Base	Actual "D"	"D" Tolerance
CWPM8X72SRC	CW4NTRC8X8X72-SA	8"	7 3/4" [196.9mm]	+0" [0mm] -1/16" [1.6mm]	72" [1828.8mm]	+1/4" [6.4mm] -0" [0mm]	CW8TRCAP-SA	TRADITIONAL	7 7/8" [200.0mm]	+1/16" [1.6mm] -0" [0mm]	CW8TRBASE-SA	TRADITIONAL	7 7/8" [200.0mm]	+1/16" [1.6mm] -0" [0mm]
CWPM8X96SRC	CW4NTRC8X8X96-SA	8"	7 3/4" [196.9mm]	+0" [0mm] -1/16" [1.6mm]	96" [2438.4mm]	+1/4" [6.4mm] -0" [0mm]	CW8TRCAP-SA	TRADITIONAL	7 7/8" [200.0mm]	+1/16" [1.6mm] -0" [0mm]	CW8TRBASE-SA	TRADITIONAL	7 7/8" [200.0mm]	+1/16" [1.6mm] -0" [0mm]
CWPM8X108SRC	CW4NTRC8X8X108-SA	8"	7 3/4" [196.9mm]	+0" [0mm] -1/16" [1.6mm]	108" [2743.2mm]	+1/4" [6.4mm] -0" [0mm]	CW8TRCAP-SA	TRADITIONAL	7 7/8" [200.0mm]	+1/16" [1.6mm] -0" [0mm]	CW8TRBASE-SA	TRADITIONAL	7 7/8" [200.0mm]	+1/16" [1.6mm] -0" [0mm]
CWPM8X120SRC	CW4NTRC8X8X120-SA	8"	7 3/4" [196.9mm]	+0" [0mm] -1/16" [1.6mm]	120" [3048.0mm]	+1/4" [6.4mm] -0" [0mm]	CW8TRCAP-SA	TRADITIONAL	7 7/8" [200.0mm]	+1/16" [1.6mm] -0" [0mm]	CW8TRBASE-SA	TRADITIONAL	7 7/8" [200.0mm]	+1/16" [1.6mm] -0" [0mm]
CWPM8X144SRC	CW4NTRC8X8X144-SA	8"	7 3/4" [196.9mm]	+0" [0mm] -1/16" [1.6mm]	144" [3657.6mm]	+1/4" [6.4mm] -0" [0mm]	CW8TRCAP-SA	TRADITIONAL	7 7/8" [200.0mm]	+1/16" [1.6mm] -0" [0mm]	CW8TRBASE-SA	TRADITIONAL	7 7/8" [200.0mm]	+1/16" [1.6mm] -0" [0mm]
CWPM10X72SRC	CW4NTRC10X10X72-SA	10"	9 3/4" [247.7mm]	+0" [0mm] -1/16" [1.6mm]	72" [1828.8mm]	+1/4" [6.4mm] -0" [0mm]	CW10TRCAP-SA	TRADITIONAL	9 7/8" [250.8mm]	+1/16" [1.6mm] -0" [0mm]	CW10TRBASE-SA	TRADITIONAL	9 7/8" [250.8mm]	+1/16" [1.6mm] -0" [0mm]
CWPM10X96SRC	CW4NTRC10X10X96-SA	10"	9 3/4" [247.7mm]	+0" [0mm] -1/16" [1.6mm]	96" [2438.4mm]	+1/4" [6.4mm] -0" [0mm]	CW10TRCAP-SA	TRADITIONAL	9 7/8" [250.8mm]	+1/16" [1.6mm] -0" [0mm]	CW10TRBASE-SA	TRADITIONAL	9 7/8" [250.8mm]	+1/16" [1.6mm] -0" [0mm]
CWPM10X108SRC	CW4NTRC10X10X108-SA	10"	9 3/4" [247.7mm]	+0" [0mm] -1/16" [1.6mm]	108" [2743.2mm]	+1/4" [6.4mm] -0" [0mm]	CW10TRCAP-SA	TRADITIONAL	9 7/8" [250.8mm]	+1/16" [1.6mm] -0" [0mm]	CW10TRBASE-SA	TRADITIONAL	9 7/8" [250.8mm]	+1/16" [1.6mm] -0" [0mm]
CWPM10X120SRC	CW4NTRC10X10X120-SA	10"	9 3/4" [247.7mm]	+0" [0mm] -1/16" [1.6mm]	120" [3048.0mm]	+1/4" [6.4mm] -0" [0mm]	CW10TRCAP-SA	TRADITIONAL	9 7/8" [250.8mm]	+1/16" [1.6mm] -0" [0mm]	CW10TRBASE-SA	TRADITIONAL	9 7/8" [250.8mm]	+1/16" [1.6mm] -0" [0mm]
CWPM10X144SRC	CW4NTRC10X10X144-SA	10"	9 3/4" [247.7mm]	+0" [0mm] -1/16" [1.6mm]	144" [3657.6mm]	+1/4" [6.4mm] -0" [0mm]	CW10TRCAP-SA	TRADITIONAL	9 7/8" [250.8mm]	+1/16" [1.6mm] -0" [0mm]	CW10TRBASE-SA	TRADITIONAL	9 7/8" [250.8mm]	+1/16" [1.6mm] -0" [0mm]
CWPM12X72SRC	CW4NTRC12X12X72-SA	12"	11 3/4" [298.5mm]	+0" [0mm] -1/16" [1.6mm]	72" [1828.8mm]	+1/4" [6.4mm] -0" [0mm]	CW12TRCAP-SA	TRADITIONAL	11 7/8" [301.6mm]	+1/16" [1.6mm] -0" [0mm]	CW12TRBASE-SA	TRADITIONAL	11 7/8" [301.6mm]	+1/16" [1.6mm] -0" [0mm]
CWPM12X96SRC	CW4NTRC12X12X96-SA	12"	11 3/4" [298.5mm]	+0" [0mm] -1/16" [1.6mm]	96" [2438.4mm]	+1/4" [6.4mm] -0" [0mm]	CW12TRCAP-SA	TRADITIONAL	11 7/8" [301.6mm]	+1/16" [1.6mm] -0" [0mm]	CW12TRBASE-SA	TRADITIONAL	11 7/8" [301.6mm]	+1/16" [1.6mm] -0" [0mm]
CWPM12X108SRC	CW4NTRC12X12X108-SA	12"	11 3/4" [298.5mm]	+0" [0mm] -1/16" [1.6mm]	108" [2743.2mm]	+1/4" [6.4mm] -0" [0mm]	CW12TRCAP-SA	TRADITIONAL	11 7/8" [301.6mm]	+1/16" [1.6mm] -0" [0mm]	CW12TRBASE-SA	TRADITIONAL	11 7/8" [301.6mm]	+1/16" [1.6mm] -0" [0mm]
CWPM12X120SRC	CW4NTRC12X12X120-SA	12"	11 3/4" [298.5mm]	+0" [0mm] -1/16" [1.6mm]	120" [3048.0mm]	+1/4" [6.4mm] -0" [0mm]	CW12TRCAP-SA	TRADITIONAL	11 7/8" [301.6mm]	+1/16" [1.6mm] -0" [0mm]	CW12TRBASE-SA	TRADITIONAL	11 7/8" [301.6mm]	+1/16" [1.6mm] -0" [0mm]
CWPM12X144SRC	CW4NTRC12X12X144-SA	12"	11 3/4" [298.5mm]	+0" [0mm] -1/16" [1.6mm]	144" [3657.6mm]	+1/4" [6.4mm] -0" [0mm]	CW12TRCAP-SA	TRADITIONAL	11 7/8" [301.6mm]	+1/16" [1.6mm] -0" [0mm]	CW12TRBASE-SA	TRADITIONAL	11 7/8" [301.6mm]	+1/16" [1.6mm] -0" [0mm]

PART NUMBER (Part Number)	5/8" thick CLEAT (-SA Part Number)	Style Cleat	"E"	"E" Tolerance	1/2" thick BACKER BOARD (-SA Part Number)	1/2" Thick Backer Board Dimensions	Backer Board Tolerance
CWPM8X72SRC	CW8CLT1-1/16-SA	TRADITIONAL	7 25/32" [197.6mm]	+1/16" [1.6mm] -0" [0mm]	CWNT4BKB8X8X72-SA	5 1/4" [133.4mm] x 47" [1193.8mm]	+1/16" [1.6mm] -1/16" [1.6mm]
CWPM8X96SRC	CW8CLT1-1/16-SA	TRADITIONAL	7 25/32" [197.6mm]	+1/16" [1.6mm] -0" [0mm]	CWNT4BKB8X8X96-SA	5 1/4" [133.4mm] x 71" [1803.4mm]	+1/16" [1.6mm] -1/16" [1.6mm]
CWPM8X108SRC	CW8CLT1-1/16-SA	TRADITIONAL	7 25/32" [197.6mm]	+1/16" [1.6mm] -0" [0mm]	CWNT4BKB8X8X108-SA	5 1/4" [133.4mm] x 83" [2108.2mm]	+1/16" [1.6mm] -1/16" [1.6mm]
CWPM8X120SRC	CW8CLT1-1/16-SA	TRADITIONAL	7 25/32" [197.6mm]	+1/16" [1.6mm] -0" [0mm]	CWNT4BKB8X8X120-SA	5 1/4" [133.4mm] x 95" [2413mm]	+1/16" [1.6mm] -1/16" [1.6mm]
CWPM8X144SRC	CW8CLT1-1/16-SA	TRADITIONAL	7 25/32" [197.6mm]	+1/16" [1.6mm] -0" [0mm]	CWNT4BKB8X8X144-SA	5 1/4" [133.4mm] x 119" [3022.6mm]	+1/16" [1.6mm] -1/16" [1.6mm]
CWPM10X72SRC	CW10CLT1-1/16-SA	TRADITIONAL	9 25/32" [248.4mm]	+1/16" [1.6mm] -0" [0mm]	CWNT4BKB10X10X72-SA	7 1/4" [184.2mm] x 47" [1193.8mm]	+1/16" [1.6mm] -1/16" [1.6mm]
CWPM10X96SRC	CW10CLT1-1/16-SA	TRADITIONAL	9 25/32" [248.4mm]	+1/16" [1.6mm] -0" [0mm]	CWNT4BKB10X10X96-SA	7 1/4" [184.2mm] x 71" [1803.4mm]	+1/16" [1.6mm] -1/16" [1.6mm]
CWPM10X108SRC	CW10CLT1-1/16-SA	TRADITIONAL	9 25/32" [248.4mm]	+1/16" [1.6mm] -0" [0mm]	CWNT4BKB10X10X108-SA	7 1/4" [184.2mm] x 83" [2108.2mm]	+1/16" [1.6mm] -1/16" [1.6mm]
CWPM10X120SRC	CW10CLT1-1/16-SA	TRADITIONAL	9 25/32" [248.4mm]	+1/16" [1.6mm] -0" [0mm]	CWNT4BKB10X10X120-SA	7 1/4" [184.2mm] x 95" [2413mm]	+1/16" [1.6mm] -1/16" [1.6mm]
CWPM10X144SRC	CW10CLT1-1/16-SA	TRADITIONAL	9 25/32" [248.4mm]	+1/16" [1.6mm] -0" [0mm]	CWNT4BKB10X10X144-SA	7 1/4" [184.2mm] x 119" [3022.6mm]	+1/16" [1.6mm] -1/16" [1.6mm]
CWPM12X72SRC	CW12CLT1-1/16-SA	TRADITIONAL	11 25/32" [299.2mm]	+1/16" [1.6mm] -0" [0mm]	CWNT4BKB12X12X72-SA	9 1/4" [235mm] x 47" [1193.8mm]	+1/16" [1.6mm] -1/16" [1.6mm]
CWPM12X96SRC	CW12CLT1-1/16-SA	TRADITIONAL	11 25/32" [299.2mm]	+1/16" [1.6mm] -0" [0mm]	CWNT4BKB12X12X96-SA	9 1/4" [235mm] x 71" [1803.4mm]	+1/16" [1.6mm] -1/16" [1.6mm]
CWPM12X108SRC	CW12CLT1-1/16-SA	TRADITIONAL	11 25/32" [299.2mm]	+1/16" [1.6mm] -0" [0mm]	CWNT4BKB12X12X108-SA	9 1/4" [235mm] x 83" [2108.2mm]	+1/16" [1.6mm] -1/16" [1.6mm]
CWPM12X120SRC	CW12CLT1-1/16-SA	TRADITIONAL	11 25/32" [299.2mm]	+1/16" [1.6mm] -0" [0mm]	CWNT4BKB12X12X120-SA	9 1/4" [235mm] x 95" [2413mm]	+1/16" [1.6mm] -1/16" [1.6mm]
CWPM12X144SRC	CW12CLT1-1/16-SA	TRADITIONAL	11 25/32" [299.2mm]	+1/16" [1.6mm] -0" [0mm]	CWNT4BKB12X12X144-SA	9 1/4" [235mm] x 119" [3022.6mm]	+1/16" [1.6mm] -1/16" [1.6mm]



CLEAT DIMENSIONS

NOTE: 4 CLEATS REQUIRED PER KIT

Qty.	Style	Actual "E"	"E" Tolerance
4	TRADITIONAL	SEE TABLE	+1/16" [1.6mm] -0" [0mm]



TITLE			
PREMIUM SELECT SQUARE RECESSED (SRC)			
PREMIUM SELECT COLUMN WRAP SQUARE RECESSED PANEL KIT			
SIZE	QUOTED ITEM NUMBER	DRWG NO.	REV
D			0
DRAWN BY	DATE	CHECKED BY	CHECKED BY
HL	6/28/17		
SCALE	DO NOT SCALE DRAWING	SHEET	OF
NONE		2	2
UNLESS OTHERWISE SPECIFIED, ALL DIMENSIONS ARE IN INCHES			