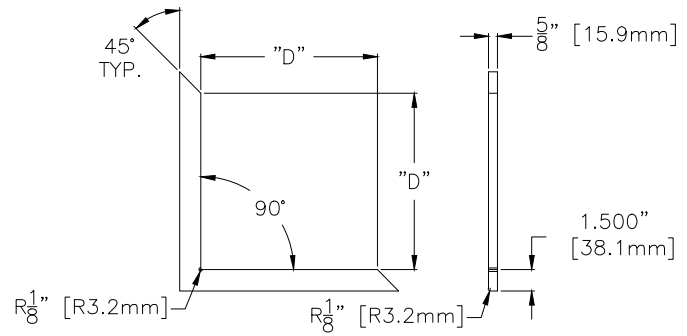
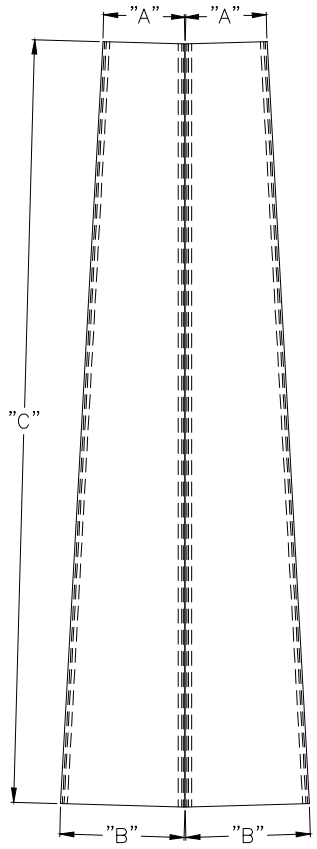


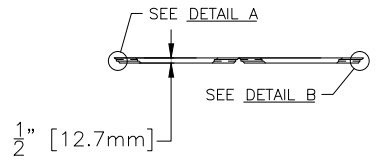
ECO NUMBER	ZONE	REV	DESCRIPTION	DATE	APPROVED

PART NUMBER (Part Number)	1/2" thick COLUMN (-SA Part Number)	Nominal "A"	Actual "A"	Nominal "B"	Actual "B"	Nominal/Actual "C"	5/8" thick CLEAT (-SA Part Number)	Style Cleat	Actual "D"	5/8" thick CLEAT (-SA Part Number)	Actual "D"
CWPMFLT8X12X60TFT	CW4TPL8X12X60-SA	8"	7 3/4" [196.9mm]	12"	11 3/4" [298.5mm]	60" [1524.0mm]	CW8CLT1-1/2-SA	CRAFTSMAN	7 25/32" [197.6mm]	CW12CLT1-1/2-SA	11 25/32" [299.2mm]
CWPMFLT8X12X66TFT	CW4TPL8X12X66-SA	8"	7 3/4" [196.9mm]	12"	11 3/4" [298.5mm]	66" [1676.4mm]	CW8CLT1-1/2-SA	CRAFTSMAN	7 25/32" [197.6mm]	CW12CLT1-1/2-SA	11 25/32" [299.2mm]
CWPMFLT8X12X72TFT	CW4TPL8X12X72-SA	8"	7 3/4" [196.9mm]	12"	11 3/4" [298.5mm]	72" [1828.8mm]	CW8CLT1-1/2-SA	CRAFTSMAN	7 25/32" [197.6mm]	CW12CLT1-1/2-SA	11 25/32" [299.2mm]
CWPMFLT11X16X60TFT	CW4TPL11X16X60-SA	11"	10 3/4" [273.1mm]	16"	15 3/4" [400.1mm]	60" [1524.0mm]	CW11CLT1-1/2-SA	CRAFTSMAN	10 25/32" [273.8mm]	CW16CLT1-1/2-SA	15 25/32" [400.8mm]
CWPMFLT11X16X66TFT	CW4TPL11X16X66-SA	11"	10 3/4" [273.1mm]	16"	15 3/4" [400.1mm]	66" [1676.4mm]	CW11CLT1-1/2-SA	CRAFTSMAN	10 25/32" [273.8mm]	CW16CLT1-1/2-SA	15 25/32" [400.8mm]
CWPMFLT11X16X72TFT	CW4TPL11X16X72-SA	11"	10 3/4" [273.1mm]	16"	15 3/4" [400.1mm]	72" [1828.8mm]	CW11CLT1-1/2-SA	CRAFTSMAN	10 25/32" [273.8mm]	CW16CLT1-1/2-SA	15 25/32" [400.8mm]



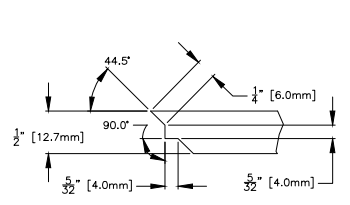
CLEAT DIMENSIONS  
NOTE: 4 CLEATS REQUIRED PER SHAFT.

Style	Qty.	CAP CLEAT "D"	Qty.	BASE CLEAT "D"	"D" Tolerance
Craftsman	2	SEE TABLE	2	SEE TABLE	+1/16" [1.6mm] -0" [0mm]

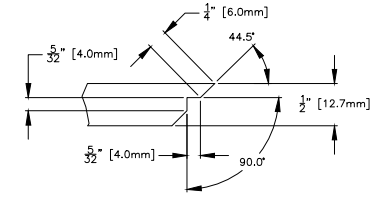


COLUMN DIMENSIONS

Qty.	Nominal "A"	Actual "A"	"A" Tolerance	Nominal "B"	Actual "B"	"B" Tolerance	Nominal/ Actual "C"	"C" Tolerance
4	SEE TABLE	SEE TABLE	+0" [0mm] -1/16" [1.6mm]	SEE TABLE	SEE TABLE	+0" [0mm] -1/16" [1.6mm]	SEE TABLE	+1/4" [6.4mm] -0" [0mm]



DETAIL A  
SCALE: 1.5" = 1"

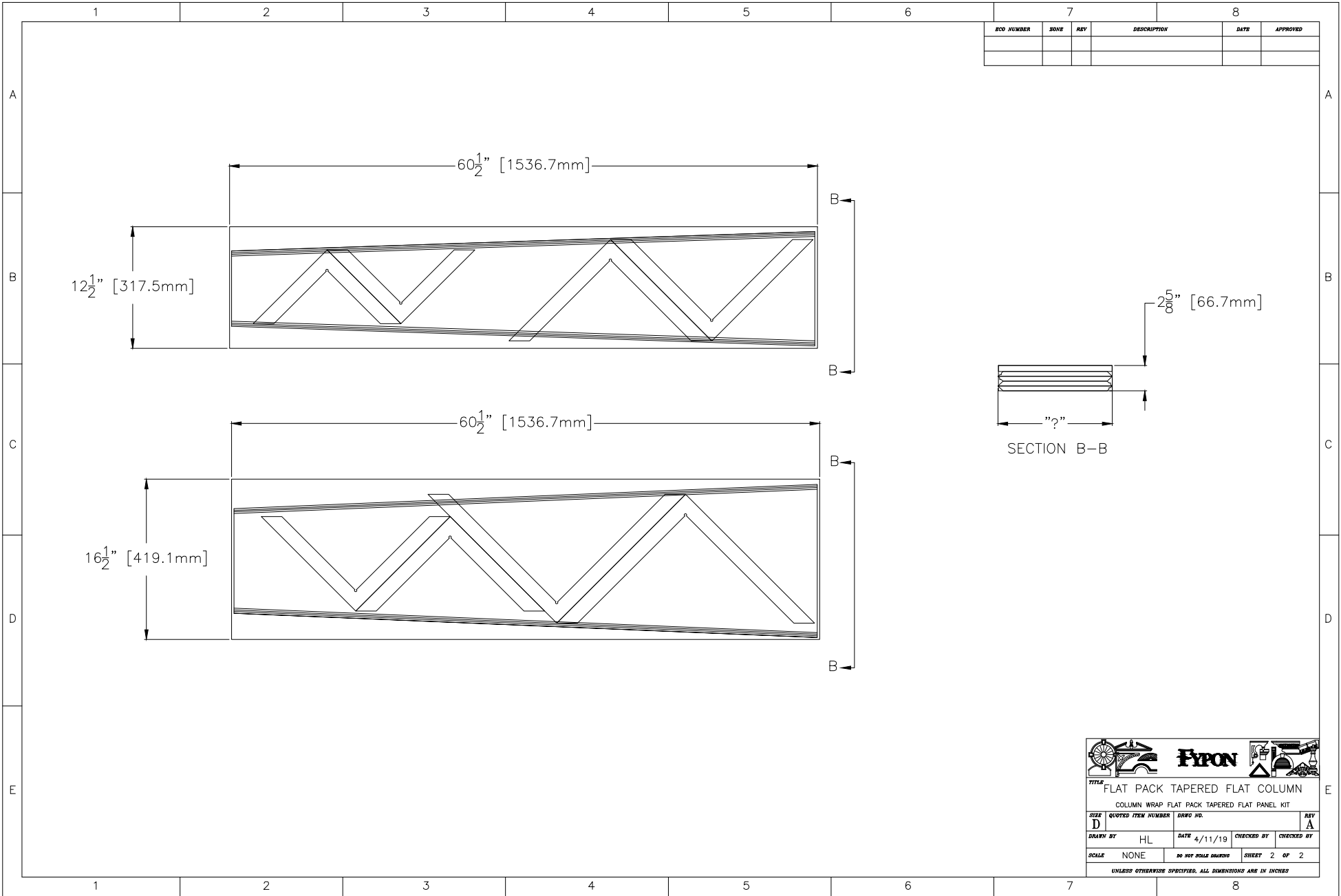


DETAIL B  
SCALE: 1.5" = 1"

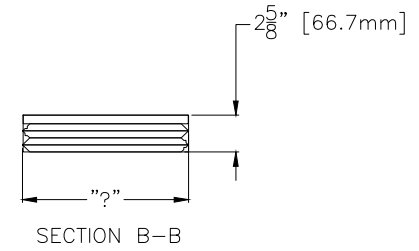
**FYRON**  
TITLE: FLAT PACK TAPERED FLAT COLUMN  
COLUMN WRAP FLAT PACK TAPERED FLAT PANEL KIT

SIZE D	QUOTED ITEM NUMBER	DRAW NO.	REV A
DRAWN BY HL	DATE 4/11/19	CHECKED BY	CHECKED BY
SCALE NONE	NO NET SCALE DRAWING	SHEET 1	OP 2

UNLESS OTHERWISE SPECIFIED, ALL DIMENSIONS ARE IN INCHES



ECO NUMBER	ZONE	REV	DESCRIPTION	DATE	APPROVED



<b>TITLE</b> FLAT PACK TAPERED FLAT COLUMN COLUMN WRAP FLAT PACK TAPERED FLAT PANEL KIT	
<b>SIZE</b> D	<b>REV</b> A
<b>QUOTED ITEM NUMBER</b> D	<b>DRWG NO.</b> A
<b>DRAWN BY</b> HL	<b>DATE</b> 4/11/19
<b>CHECKED BY</b> [Signature]	<b>CHECKED BY</b> [Signature]
<b>SCALE</b> NONE	<b>NO NET SCALE DRAWING</b> SHEET 2 OF 2
<small>UNLESS OTHERWISE SPECIFIED, ALL DIMENSIONS ARE IN INCHES</small>	