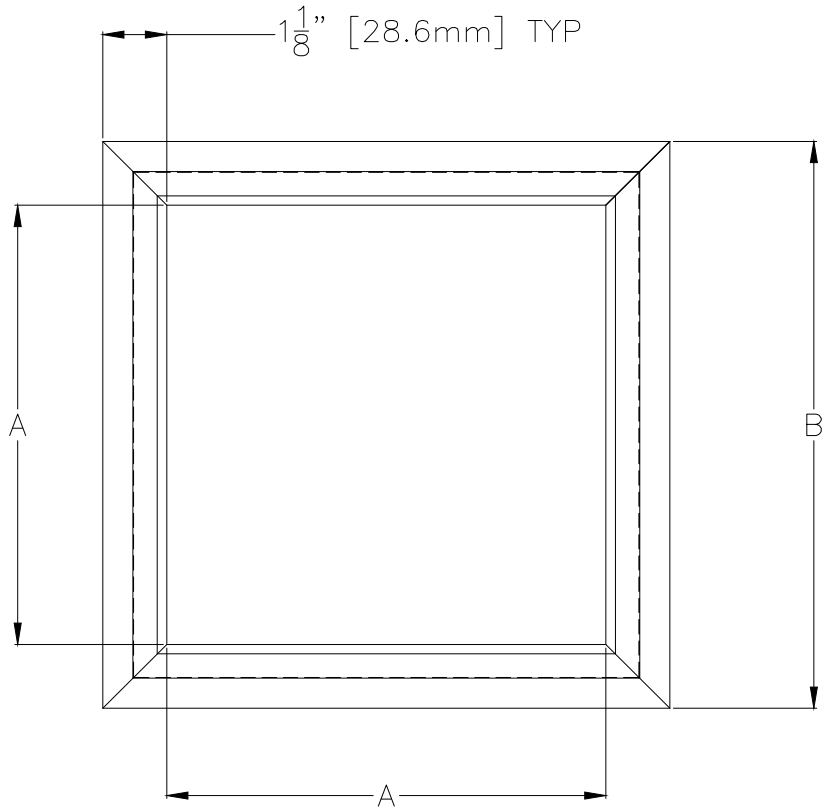
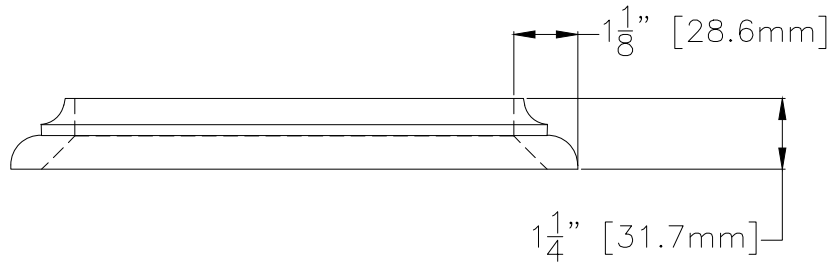


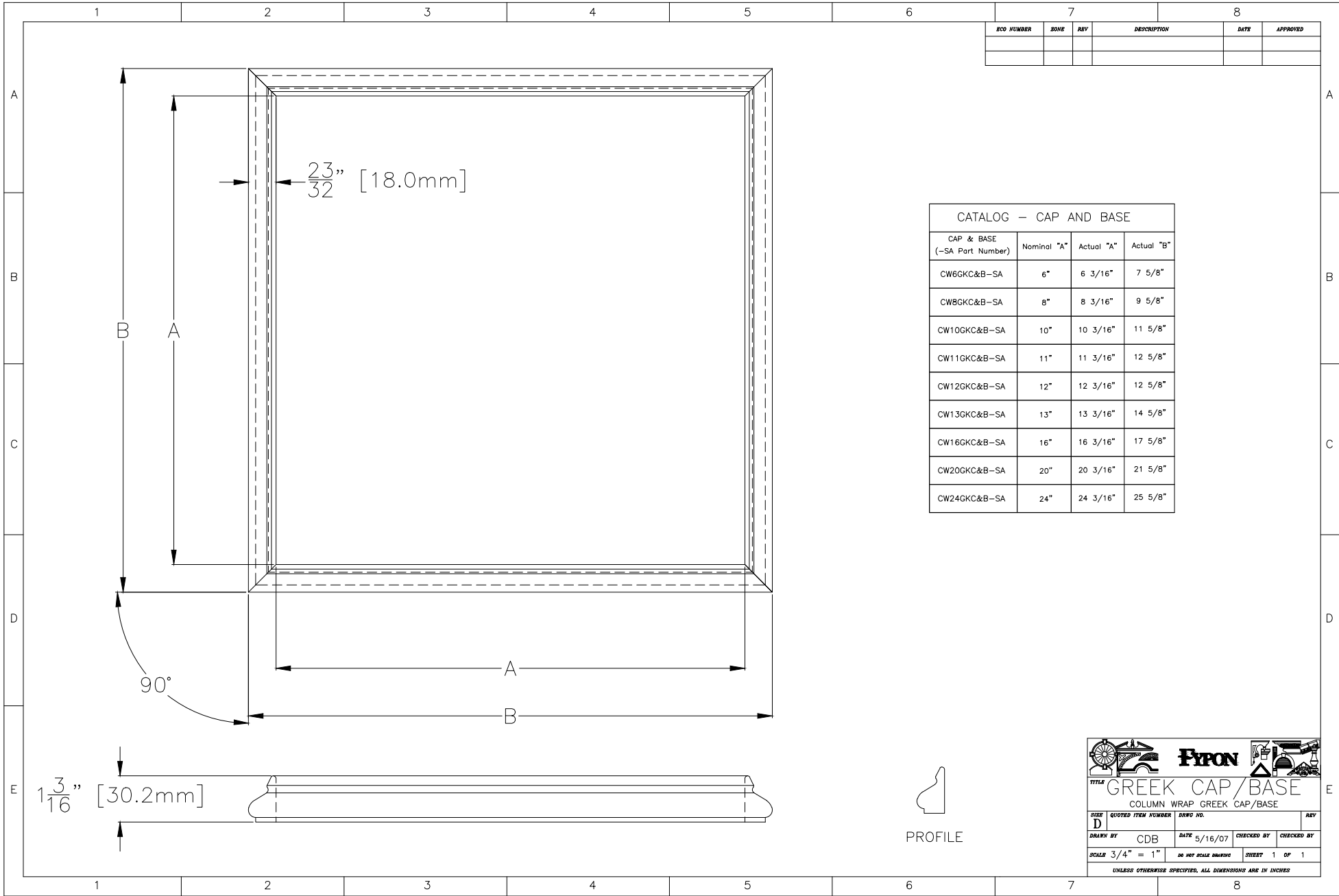
ECO NUMBER	ZONE	REV	DESCRIPTION	DATE	APPROVED



CATALOG - CAP AND BASE			
CAP & BASE (-SA Part Number)	Nominal "A"	Actual "A"	Actual "B"
CW6CFC&B-SA	6"	6 3/16"	8 7/16"
CW8CFC&B-SA	8"	8 3/16"	10 7/16"
CW10CFC&B-SA	10"	10 3/16"	12 7/16"
CW11CFC&B-SA	11"	11 3/16"	13 7/16"
CW12CFC&B-SA	12"	12 3/16"	14 7/16"
CW13CFC&B-SA	13"	13 3/16"	15 7/16"
CW16CFC&B-SA	16"	16 3/16"	18 7/16"
CW20CFC&B-SA	20"	20 3/16"	22 7/16"
CW24CFC&B-SA	24"	24 3/16"	26 7/16"



TITLE CRAFTSMAN CAP/BASE			
COLUMN WRAP CRAFTSMAN CAP/BASE			
SIZE D	QUOTED ITEM NUMBER	DRWG NO.	REV
DRAWN BY CDB	DATE 5/16/07	CHECKED BY	CHECKED BY
SCALE 3/4" = 1"		DO NOT SCALE DRAWING	SHEET 1 OF 1
UNLESS OTHERWISE SPECIFIED, ALL DIMENSIONS ARE IN INCHES			



$\frac{23}{32}$ " [18.0mm]

B

A

A

B

90°

$1\frac{3}{16}$ " [30.2mm]



PROFILE

ECO NUMBER	ZONE	REV	DESCRIPTION	DATE	APPROVED

CATALOG — CAP AND BASE				
CAP & BASE (-SA Part Number)	Nominal "A"	Actual "A"	Actual "B"	
CW6GKC&B-SA	6"	6 3/16"	7 5/8"	
CW8GKC&B-SA	8"	8 3/16"	9 5/8"	
CW10GKC&B-SA	10"	10 3/16"	11 5/8"	
CW11GKC&B-SA	11"	11 3/16"	12 5/8"	
CW12GKC&B-SA	12"	12 3/16"	12 5/8"	
CW13GKC&B-SA	13"	13 3/16"	14 5/8"	
CW16GKC&B-SA	16"	16 3/16"	17 5/8"	
CW20GKC&B-SA	20"	20 3/16"	21 5/8"	
CW24GKC&B-SA	24"	24 3/16"	25 5/8"	

FYPON

TITLE: GREEK CAP/BASE
COLUMN WRAP GREEK CAP/BASE

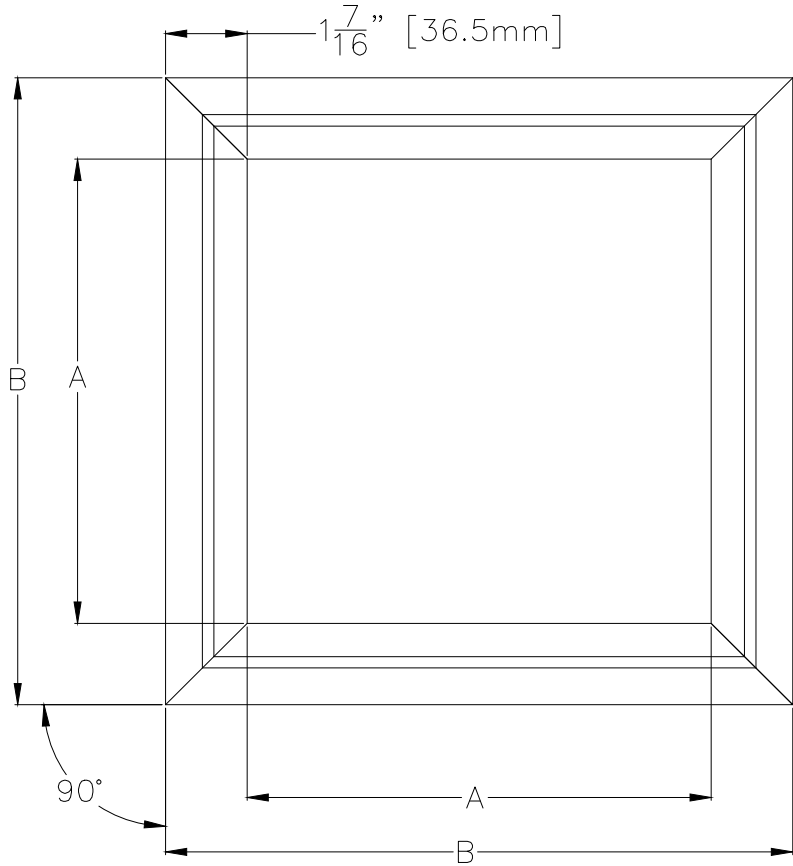
SIZE	QUOTED ITEM NUMBER	DRWG NO.	REV
D			

DRAWN BY	DATE	CHECKED BY	CHECKED BY
CDB	5/16/07		

SCALE: 3/4" = 1" DO NOT SCALE DRAWING SHEET: 1 OF 1

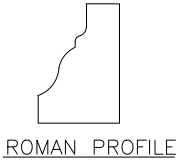
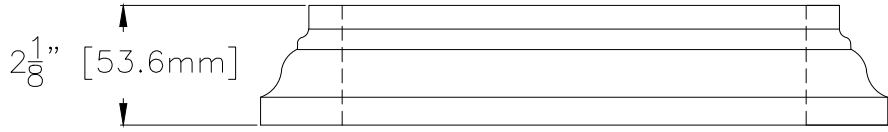
UNLESS OTHERWISE SPECIFIED, ALL DIMENSIONS ARE IN INCHES

ECO NUMBER	ZONE	REV	DESCRIPTION	DATE	APPROVED



CATALOG — CAP AND BASE

CAP & BASE (-SA Part Number)	Nominal "A"	Actual "A"	Actual "B"
CW6ROC&B-SA	6"	6 3/16"	9 1/16"
CW8ROC&B-SA	8"	8 3/16"	11 1/16"
CW10ROC&B-SA	10"	10 3/16"	13 1/16"
CW11ROC&B-SA	11"	11 3/16"	14 1/16"
CW12ROC&B-SA	12"	12 3/16"	15 1/16"
CW13ROC&B-SA	13"	13 3/16"	16 1/16"
CW16ROC&B-SA	16"	16 3/16"	19 1/16"
CW20ROC&B-SA	20"	20 3/16"	23 1/16"
CW24ROC&B-SA	24"	24 3/16"	27 1/16"



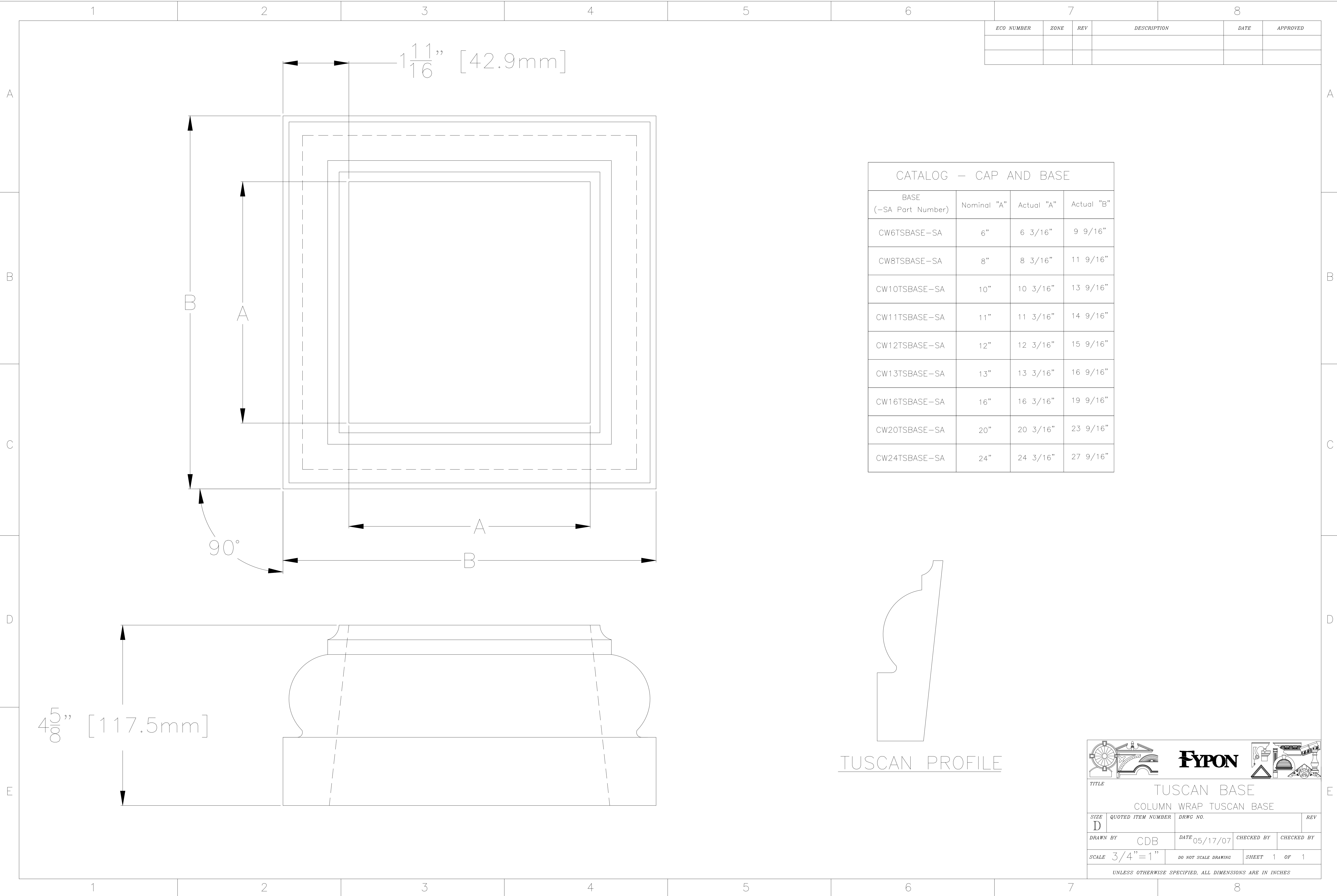
TYTON

TITLE: ROMAN CAP/BASE
COLUMN WRAP ROMAN CAP/BASE

SIZE: D	QUOTED ITEM NUMBER	DRWG NO.	REV
DRAWN BY: CDB	DATE: 5/16/07	CHECKED BY:	CHECKED BY:
SCALE: $3/4" = 1"$	DO NOT SCALE DRAWING	SHEET: 1	OF: 1

UNLESS OTHERWISE SPECIFIED, ALL DIMENSIONS ARE IN INCHES

ECO NUMBER	ZONE	REV	DESCRIPTION	DATE	APPROVED



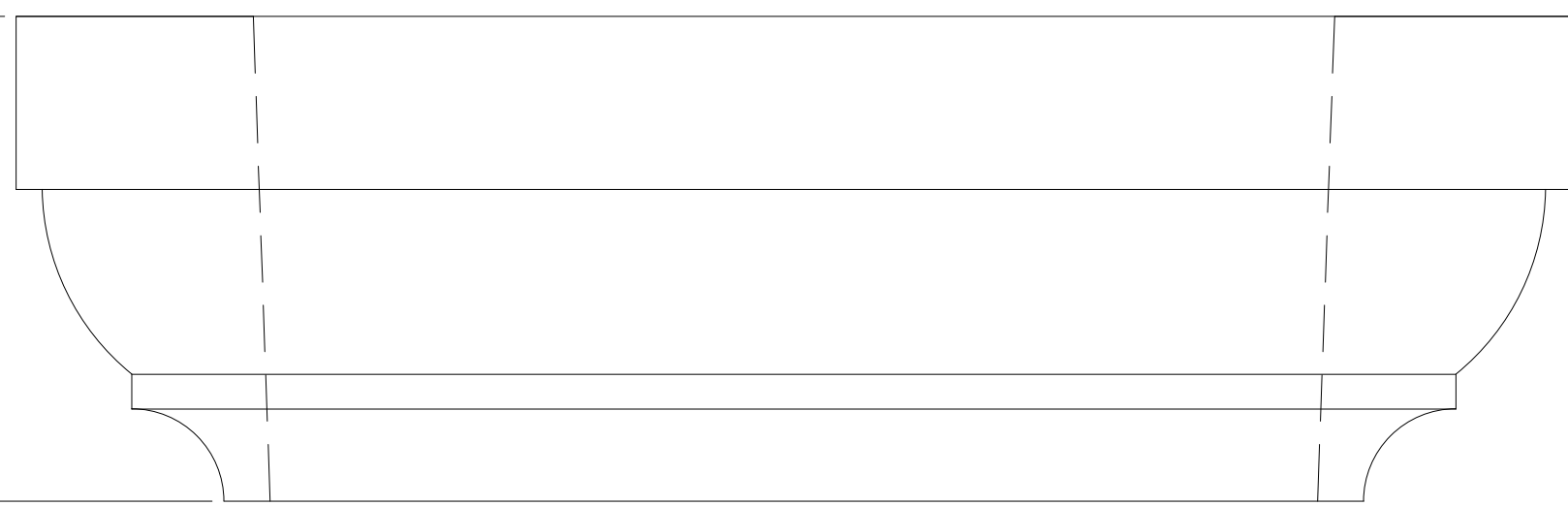
CATALOG – CAP AND BASE			
BASE (-SA Part Number)	Nominal "A"	Actual "A"	Actual "B"
CW6TSBASE-SA	6"	6 3/16"	9 9/16"
CW8TSBASE-SA	8"	8 3/16"	11 9/16"
CW10TSBASE-SA	10"	10 3/16"	13 9/16"
CW11TSBASE-SA	11"	11 3/16"	14 9/16"
CW12TSBASE-SA	12"	12 3/16"	15 9/16"
CW13TSBASE-SA	13"	13 3/16"	16 9/16"
CW16TSBASE-SA	16"	16 3/16"	19 9/16"
CW20TSBASE-SA	20"	20 3/16"	23 9/16"
CW24TSBASE-SA	24"	24 3/16"	27 9/16"

TUSCAN PROFILE

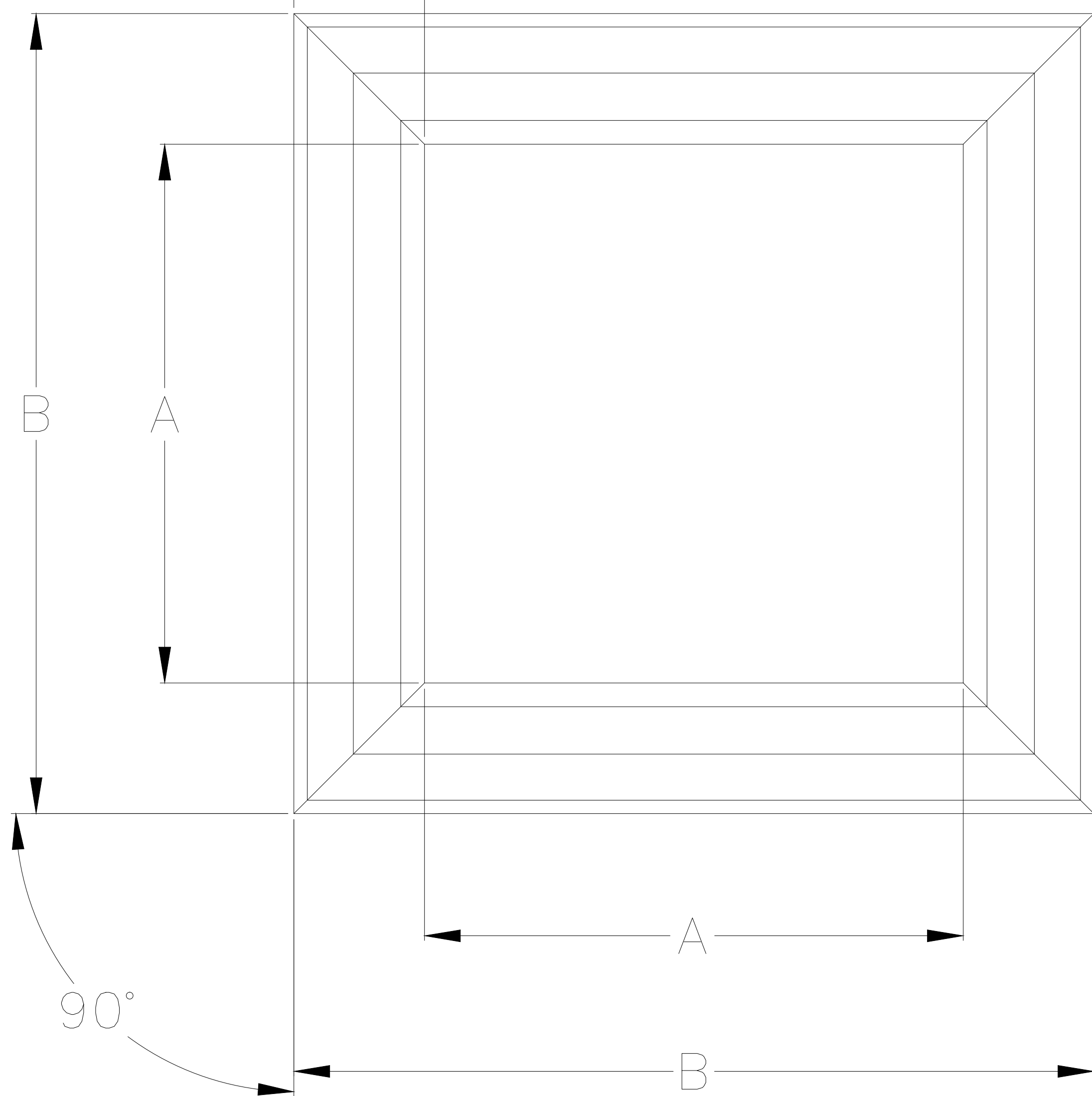
TITLE TUSCAN BASE COLUMN WRAP TUSCAN BASE			
SIZE D	QUOTED ITEM NUMBER	DRWG NO.	REV
DRAWN BY CDB	DATE 05/17/07	CHECKED BY	CHECKED BY
SCALE 3/4" = 1"	DO NOT SCALE DRAWING	SHEET 1	OF 1
UNLESS OTHERWISE SPECIFIED, ALL DIMENSIONS ARE IN INCHES			

ECO NUMBER	ZONE	REV	DESCRIPTION	DATE	APPROVED

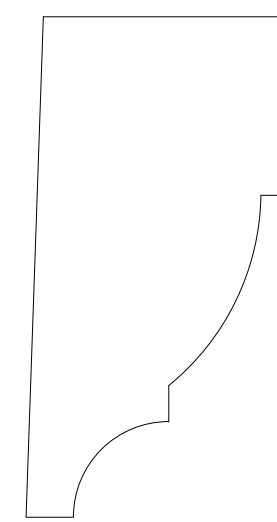
$2\frac{5}{8}''$ [66.3mm]



$1\frac{3}{8}''$ [34.7mm]



CATALOG - CAP AND BASE			
CAP (-SA Part Number)	Nominal "A"	Actual "A"	Actual "B"
CW6TSCAP-SA	6"	6 3/16"	8 15/16"
CW8TSCAP-SA	8"	8 3/16"	10 15/16"
CW10TSCAP-SA	10"	10 3/16"	12 15/16"
CW11TSCAP-SA	11"	11 3/16"	13 15/16"
CW12TSCAP-SA	12"	12 3/16"	14 15/16"
CW13TSCAP-SA	13"	13 3/16"	15 15/16"
CW16TSCAP-SA	16"	16 3/16"	18 15/16"
CW20TSCAP-SA	20"	20 3/16"	22 15/16"
CW24TSCAP-SA	24"	24 3/16"	26 15/16"



TUSCAN PROFILE

TITILE TUSCAN CAP COLUMN WRAP TUSCAN CAP			
SIZE D	QUOTED ITEM NUMBER	DRWG NO.	REV
DRAWN BY CDB	DATE 05/18/07	CHECKED BY	CHECKED BY
SCALE 3/4" = 1"	DO NOT SCALE DRAWING	SHEET 1 OF 1	
<small>UNLESS OTHERWISE SPECIFIED, ALL DIMENSIONS ARE IN INCHES</small>			