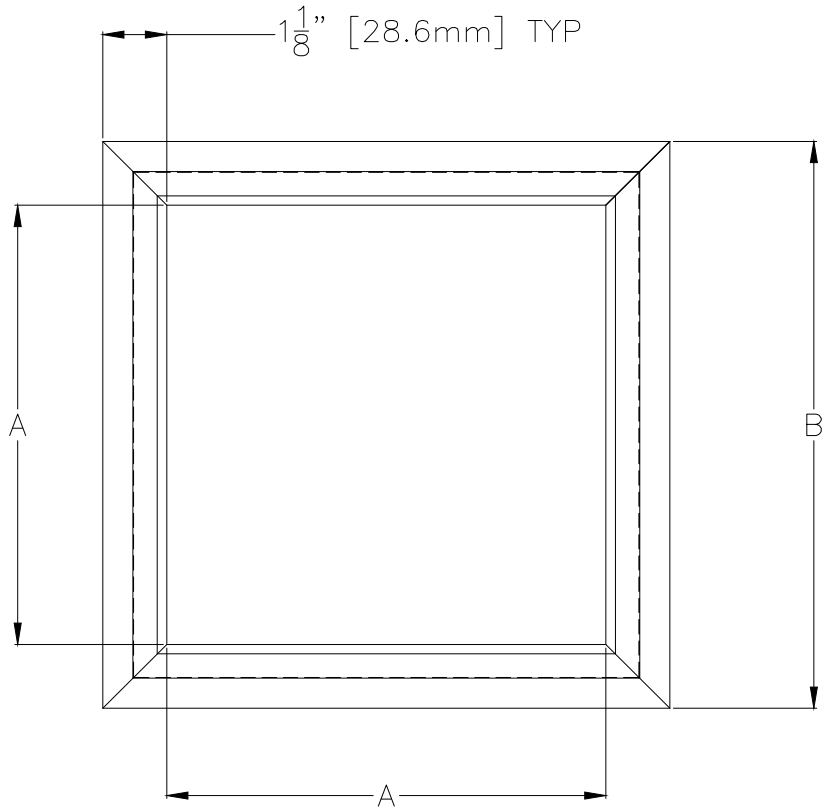
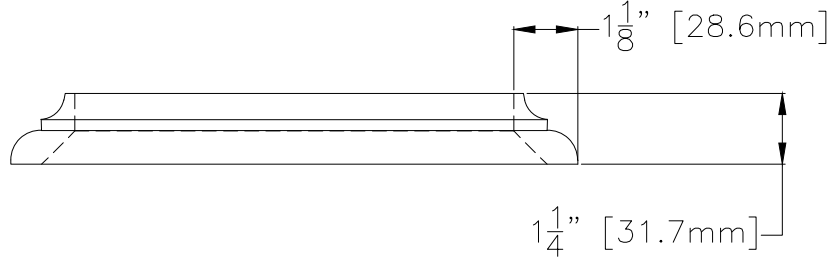


ECO NUMBER	ZONE	REV	DESCRIPTION	DATE	APPROVED



CATALOG - CAP AND BASE			
CAP & BASE (-SA Part Number)	Nominal "A"	Actual "A"	Actual "B"
CW6CFC&B-SA	6"	6 3/16"	8 7/16"
CW8CFC&B-SA	8"	8 3/16"	10 7/16"
CW10CFC&B-SA	10"	10 3/16"	12 7/16"
CW11CFC&B-SA	11"	11 3/16"	13 7/16"
CW12CFC&B-SA	12"	12 3/16"	14 7/16"
CW13CFC&B-SA	13"	13 3/16"	15 7/16"
CW16CFC&B-SA	16"	16 3/16"	18 7/16"
CW20CFC&B-SA	20"	20 3/16"	22 7/16"
CW24CFC&B-SA	24"	24 3/16"	26 7/16"

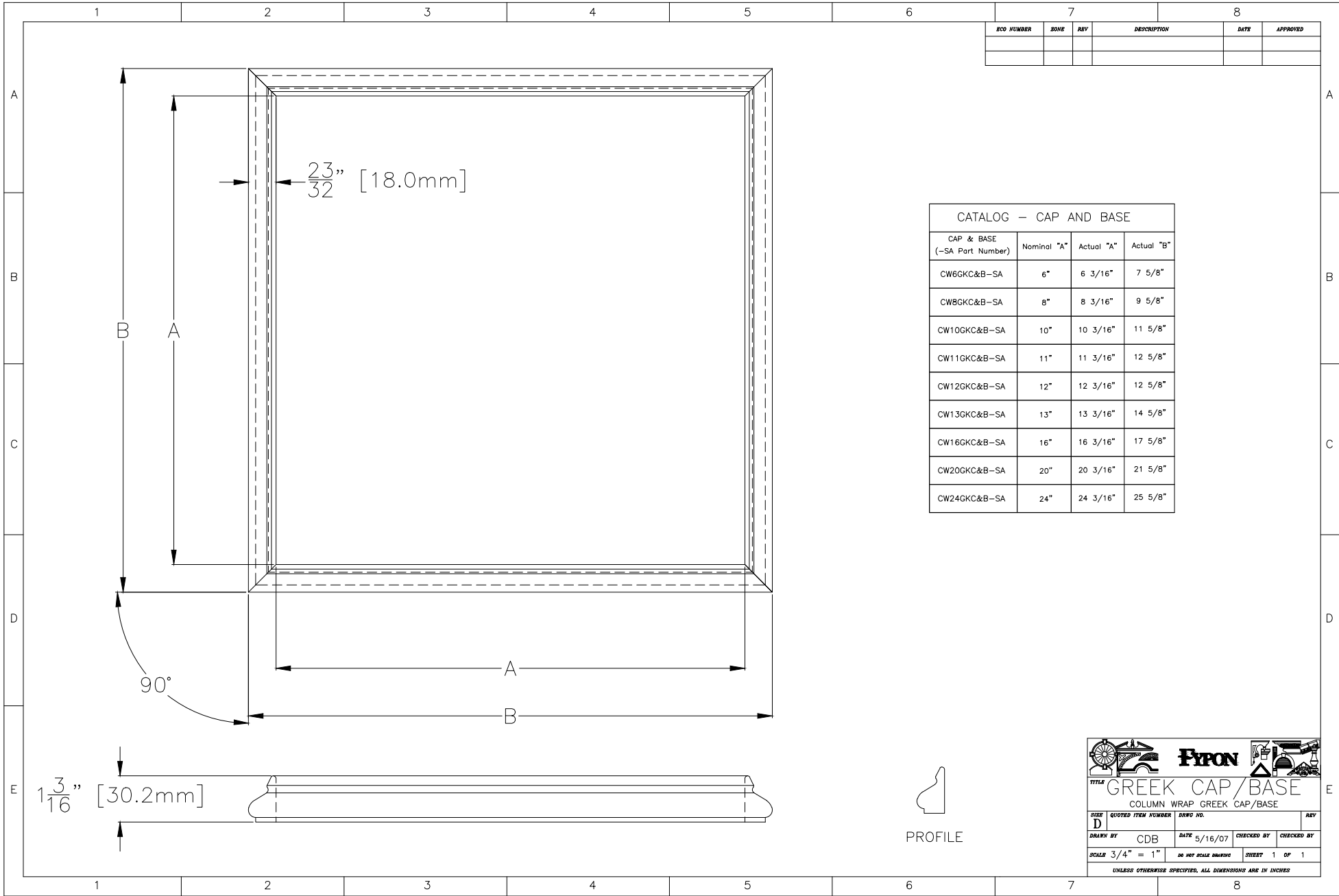


**FYRON**

TITLE CRAFTSMAN CAP/BASE  
COLUMN WRAP CRAFTSMAN CAP/BASE

SIZE <b>D</b>	QUOTED ITEM NUMBER	DRWG NO.	REV
DRAWN BY CDB	DATE 5/16/07	CHECKED BY	CHECKED BY
SCALE 3/4" = 1"	DO NOT SCALE DRAWING	SHEET 1	OF 1

UNLESS OTHERWISE SPECIFIED, ALL DIMENSIONS ARE IN INCHES



ECO NUMBER	ZONE	REV	DESCRIPTION	DATE	APPROVED

CATALOG — CAP AND BASE				
CAP & BASE (-SA Part Number)	Nominal "A"	Actual "A"	Actual "B"	
CW6GKC&B-SA	6"	6 3/16"	7 5/8"	
CW8GKC&B-SA	8"	8 3/16"	9 5/8"	
CW10GKC&B-SA	10"	10 3/16"	11 5/8"	
CW11GKC&B-SA	11"	11 3/16"	12 5/8"	
CW12GKC&B-SA	12"	12 3/16"	12 5/8"	
CW13GKC&B-SA	13"	13 3/16"	14 5/8"	
CW16GKC&B-SA	16"	16 3/16"	17 5/8"	
CW20GKC&B-SA	20"	20 3/16"	21 5/8"	
CW24GKC&B-SA	24"	24 3/16"	25 5/8"	



PROFILE

**FYPON**

TITLE **GREEK CAP/BASE**  
COLUMN WRAP GREEK CAP/BASE

SIZE <b>D</b>	QUOTED ITEM NUMBER	DRWG NO.	REV
DRAWN BY <b>CDB</b>	DATE <b>5/16/07</b>	CHECKED BY	CHECKED BY
SCALE <b>3/4" = 1"</b>	DO NOT SCALE DRAWING	SHEET <b>1</b>	OF <b>1</b>

UNLESS OTHERWISE SPECIFIED, ALL DIMENSIONS ARE IN INCHES

1 2 3 4 5 6 7 8

ECO NUMBER	ZONE	REV	DESCRIPTION	DATE	APPROVED

A

B

C

D

E

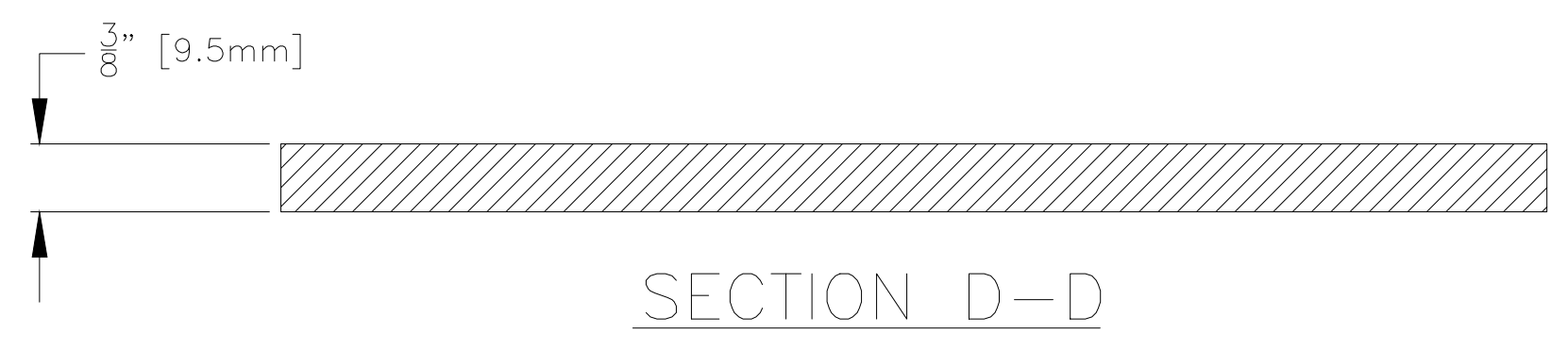
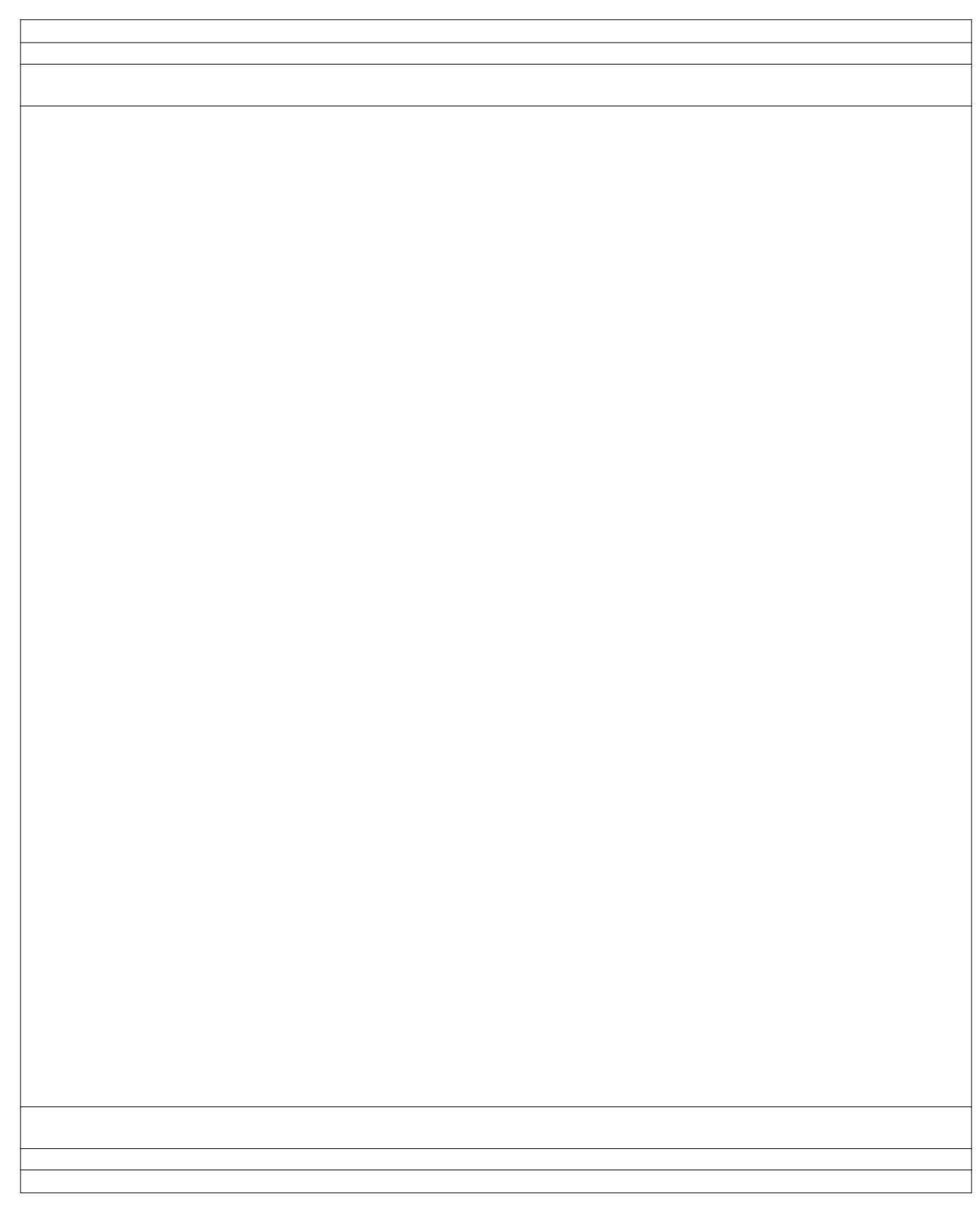
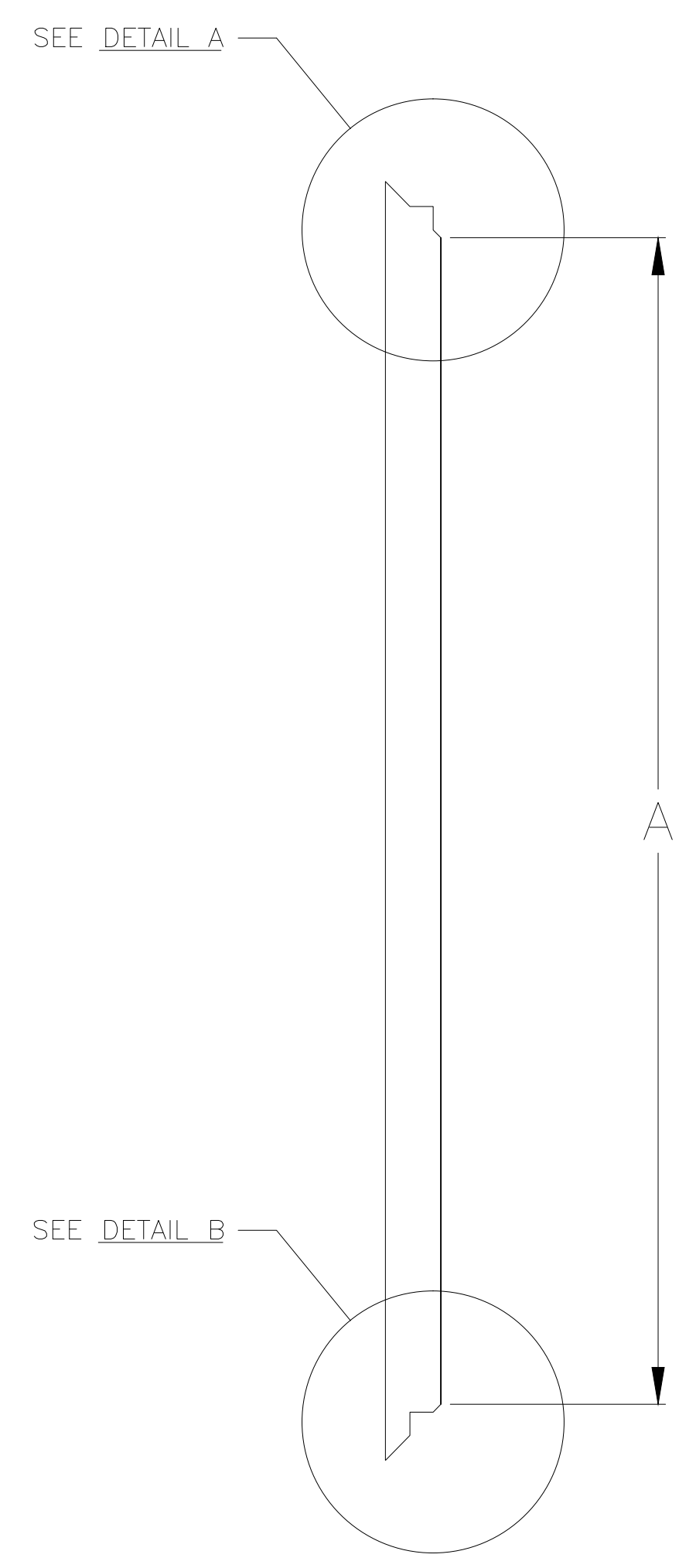
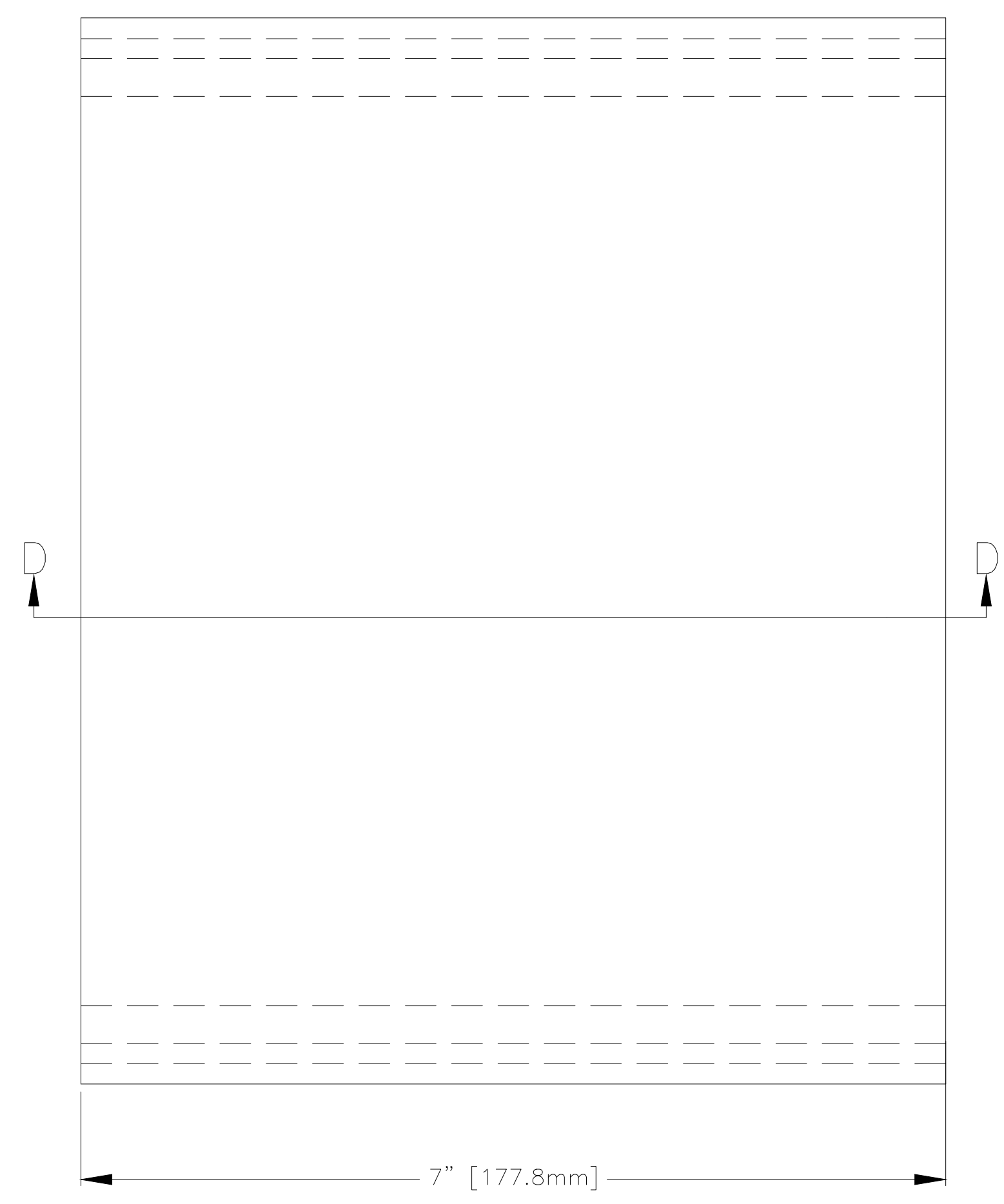
A

B

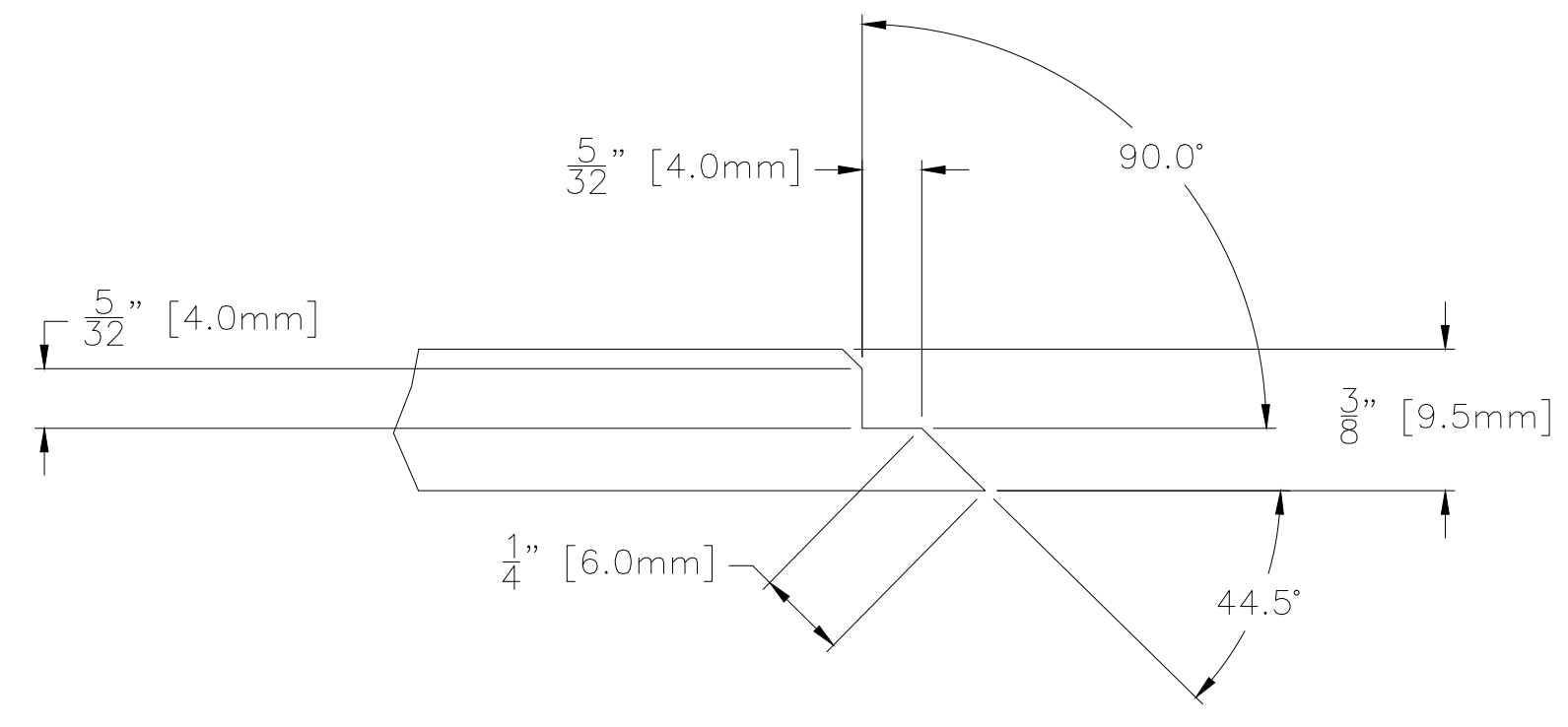
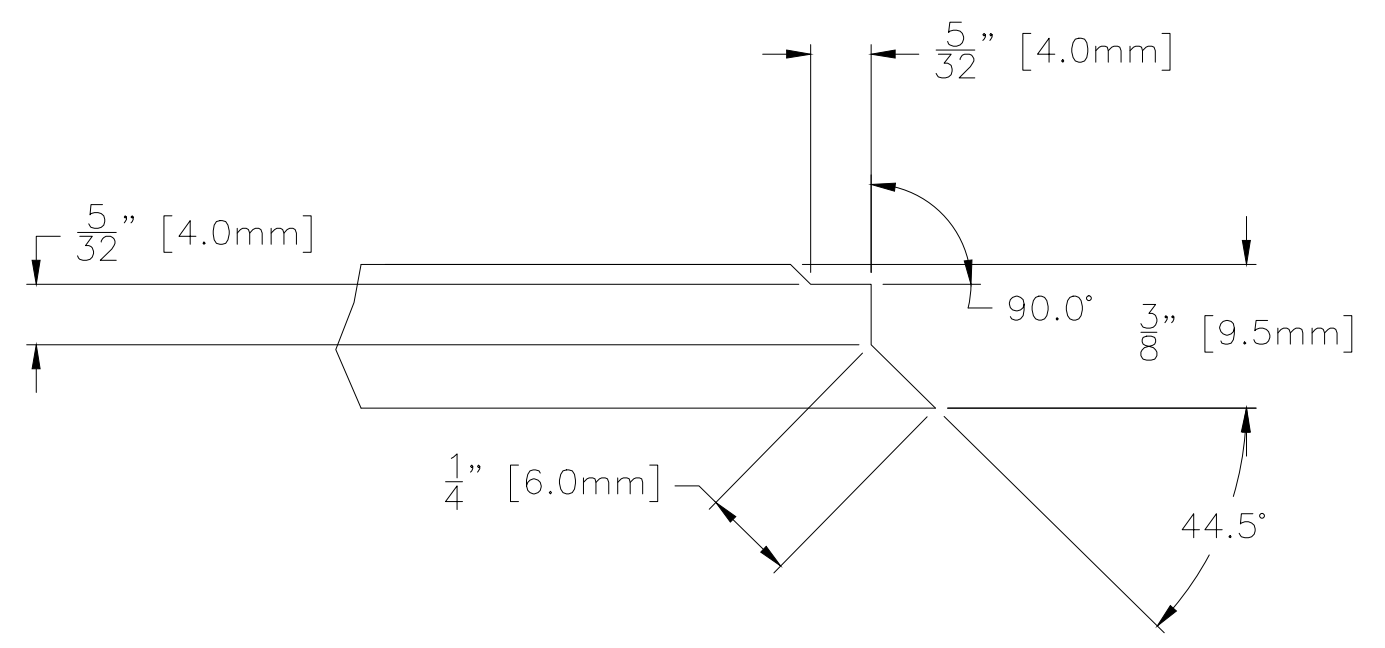
C

D

E



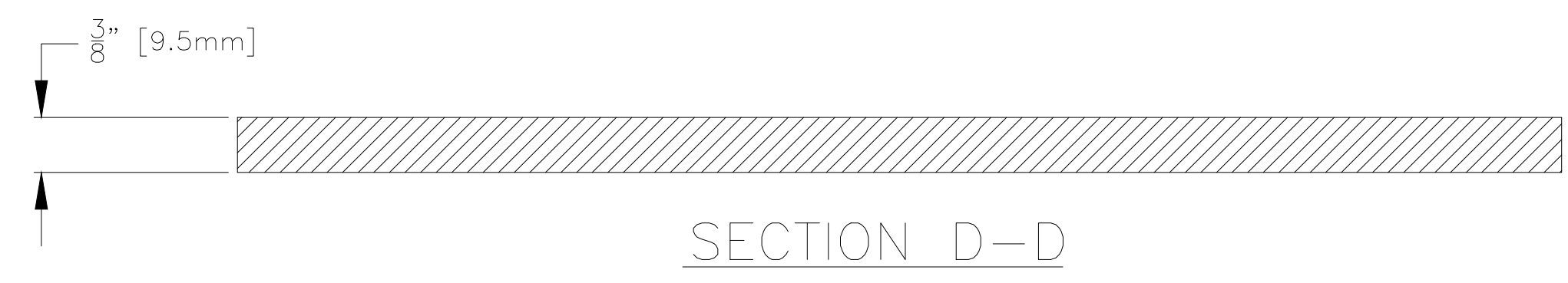
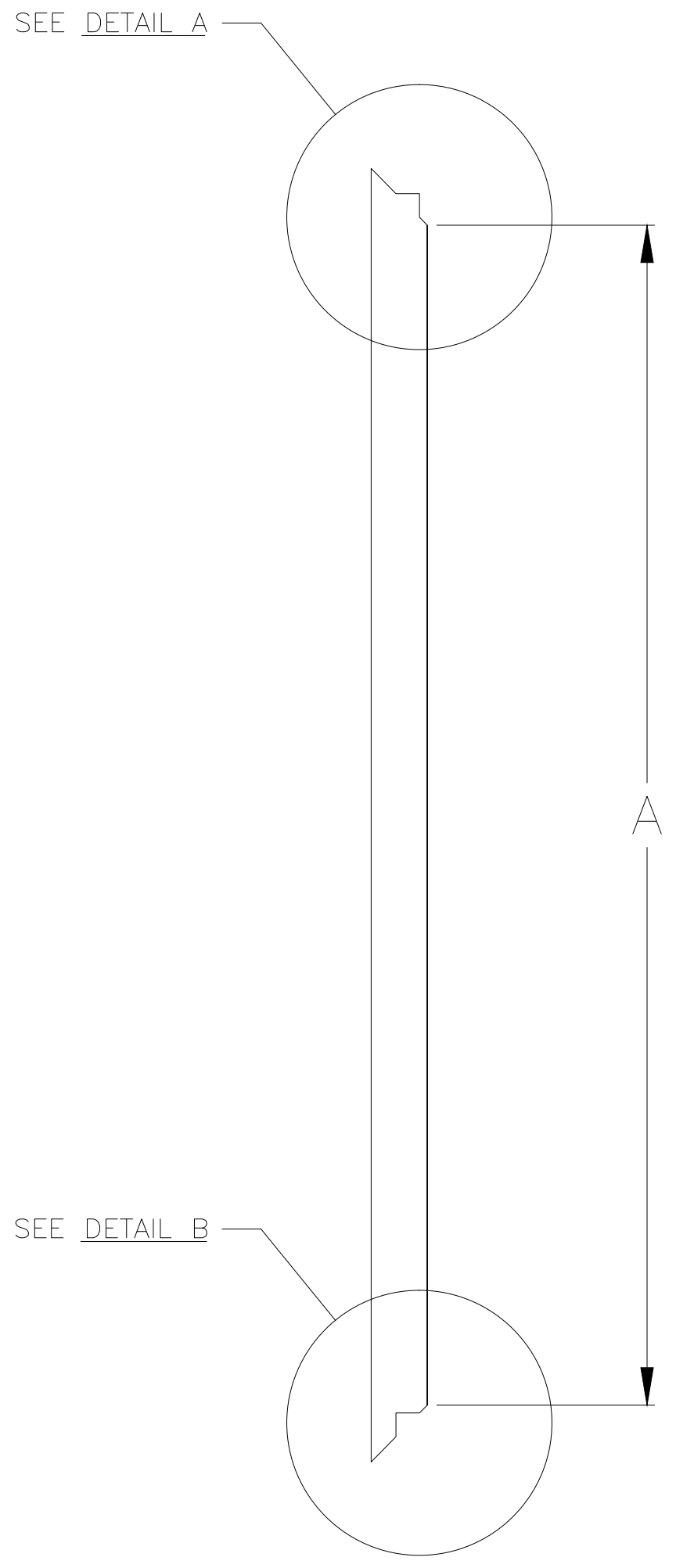
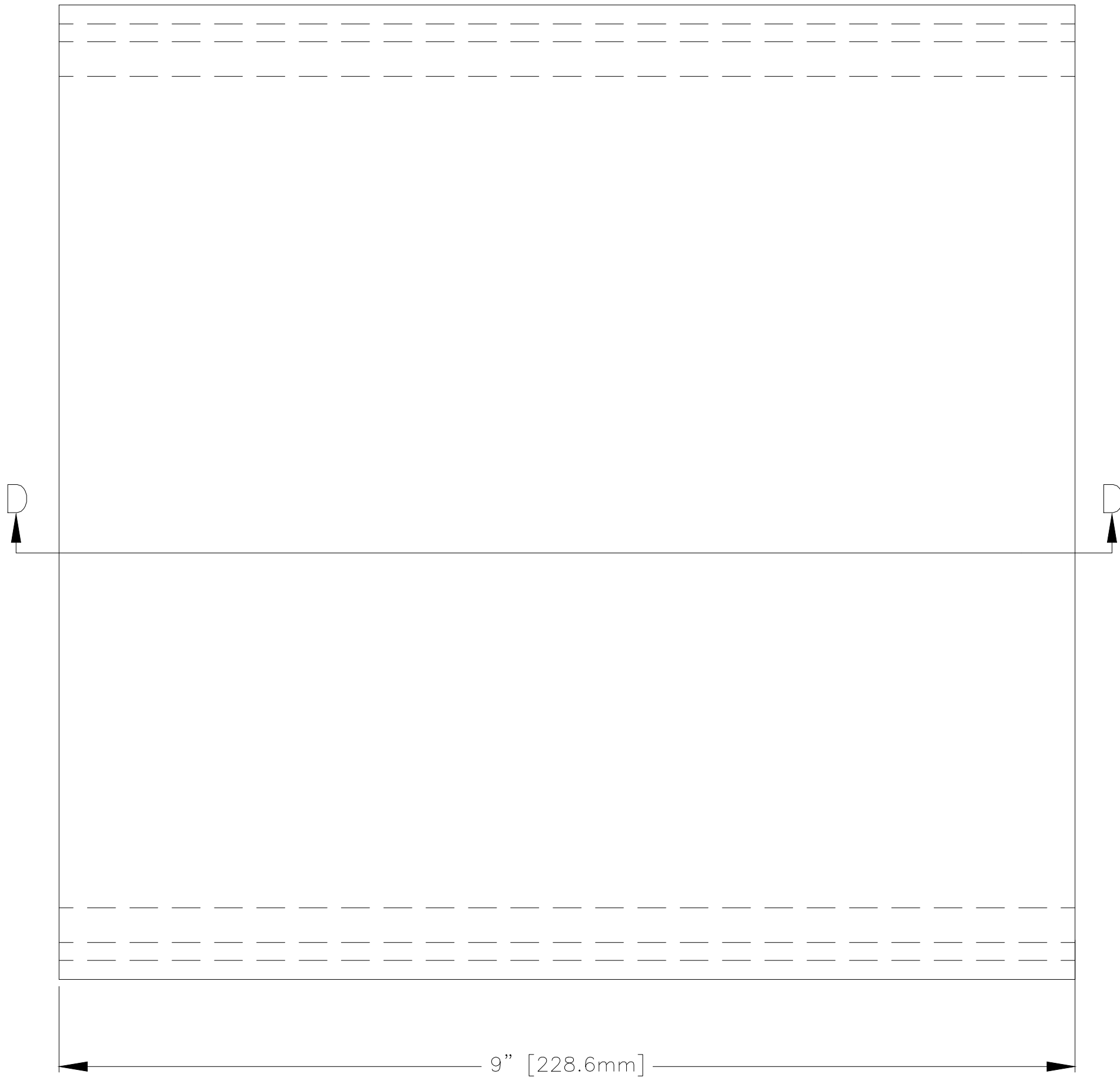
Part Number (if applicable)	Nominal "A"	Actual "A"	"A" Tolerance
CW6PL3CAP-SA	6"	5 7/8"	+1/16 [1.6mm] -0 [0mm]
CW8PL3CAP-SA	8"	7 7/8"	+1/16 [1.6mm] -0 [0mm]
CW10PL3CAP-SA	10"	9 7/8"	+1/16 [1.6mm] -0 [0mm]
CW12PL3CAP-SA	12"	11 7/8"	+1/16 [1.6mm] -0 [0mm]



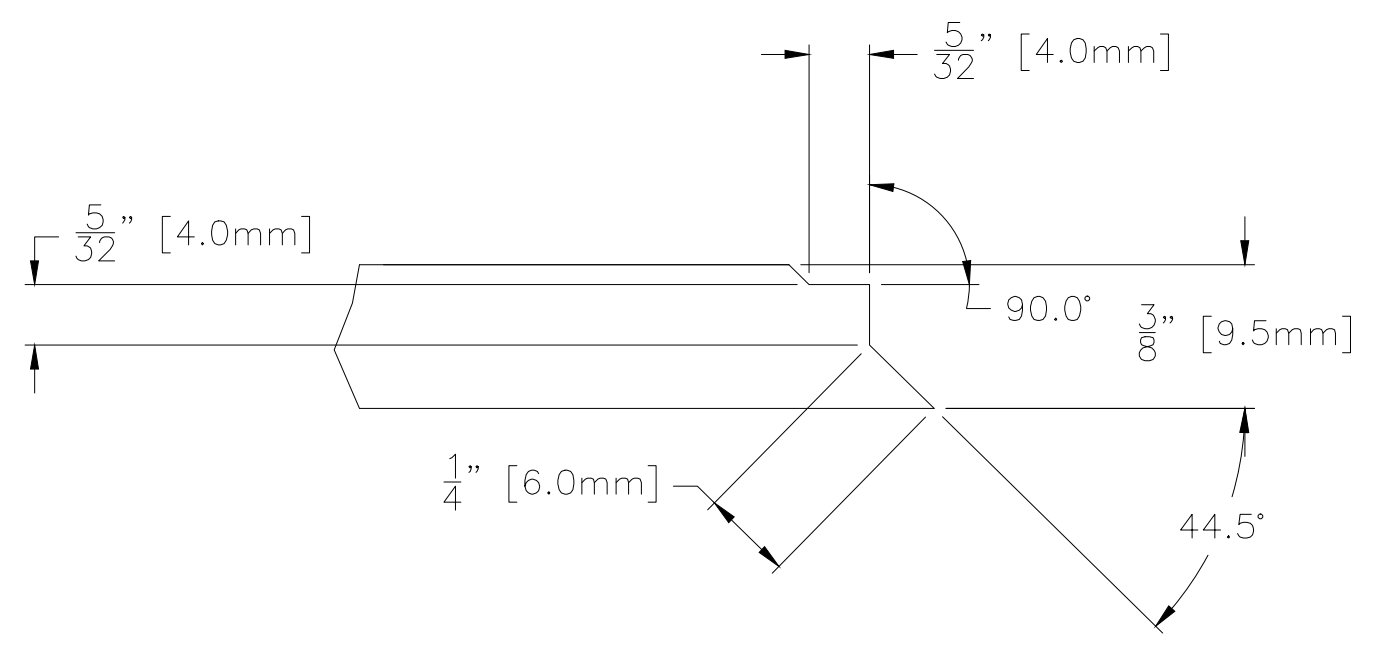
TITLE				
PLAIN PRO STYLE CAP (PL3)				
COLUMN WRAP PLAIN PRO SELECT SYTLE CAP				
SIZE	QUOTED ITEM NUMBER	DRWG NO.	REV	
D				
DRAWN BY	MVS	DATE 01/09/18	CHECKED BY	CHECKED BY
SCALE	FULL	DO NOT SCALE DRAWING	SHEET 1 OF 1	
UNLESS OTHERWISE SPECIFIED, ALL DIMENSIONS ARE IN INCHES				

1 2 3 4 5 6 7 8

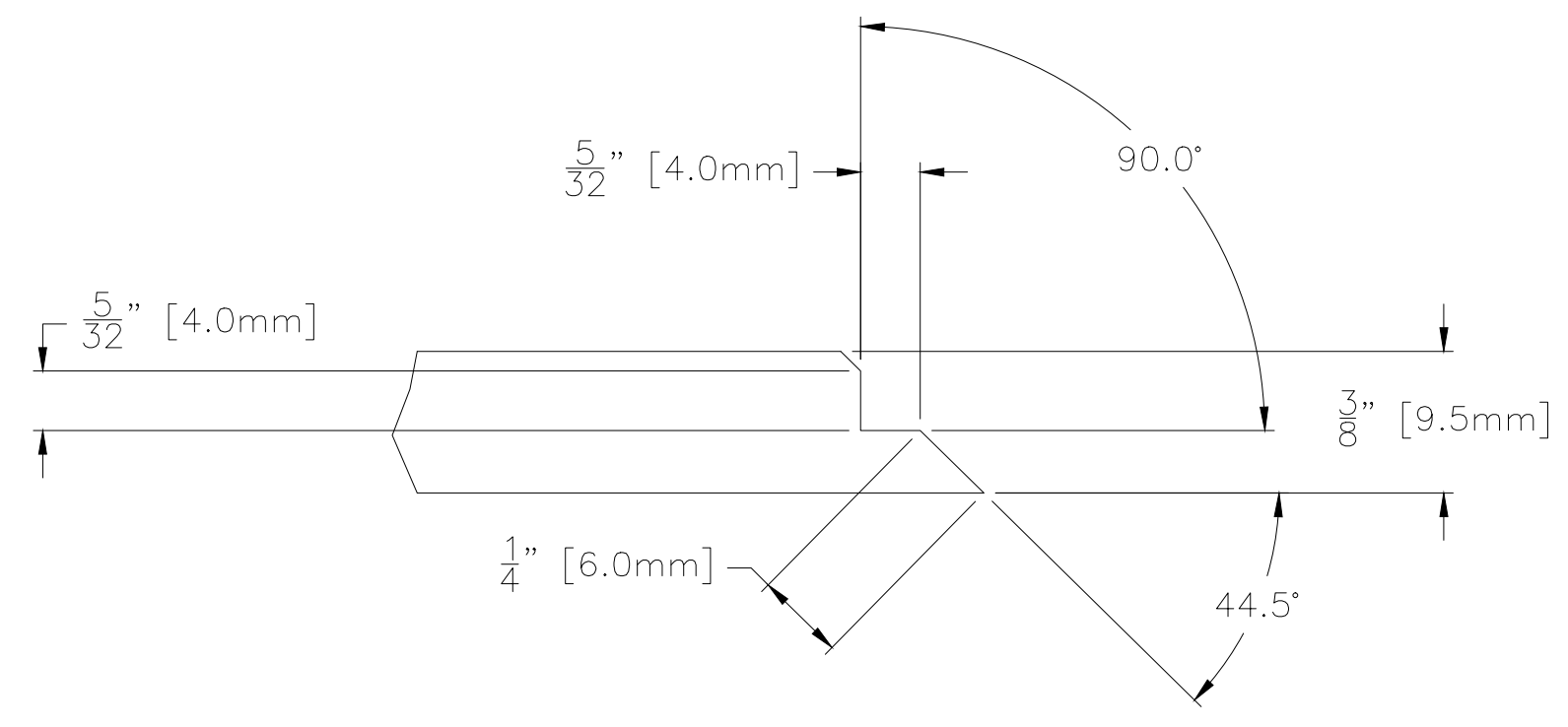
ECO NUMBER	ZONE	REV	DESCRIPTION	DATE	APPROVED




Part Number (if applicable)	Nominal "A"	Actual "A"	"A" Tolerance
CW6PL3BASE-SA	6"	5 7/8"	+1/16 [1.6mm] -0 [0mm]
CW8PL3BASE-SA	8"	7 7/8"	+1/16 [1.6mm] -0 [0mm]
CW10PL3BASE-SA	10"	9 7/8"	+1/16 [1.6mm] -0 [0mm]
CW12PL3BASE-SA	12"	11 7/8"	+1/16 [1.6mm] -0 [0mm]



DETAIL A  
SCALE: 2" = 1"



DETAIL B  
SCALE: 2" = 1"

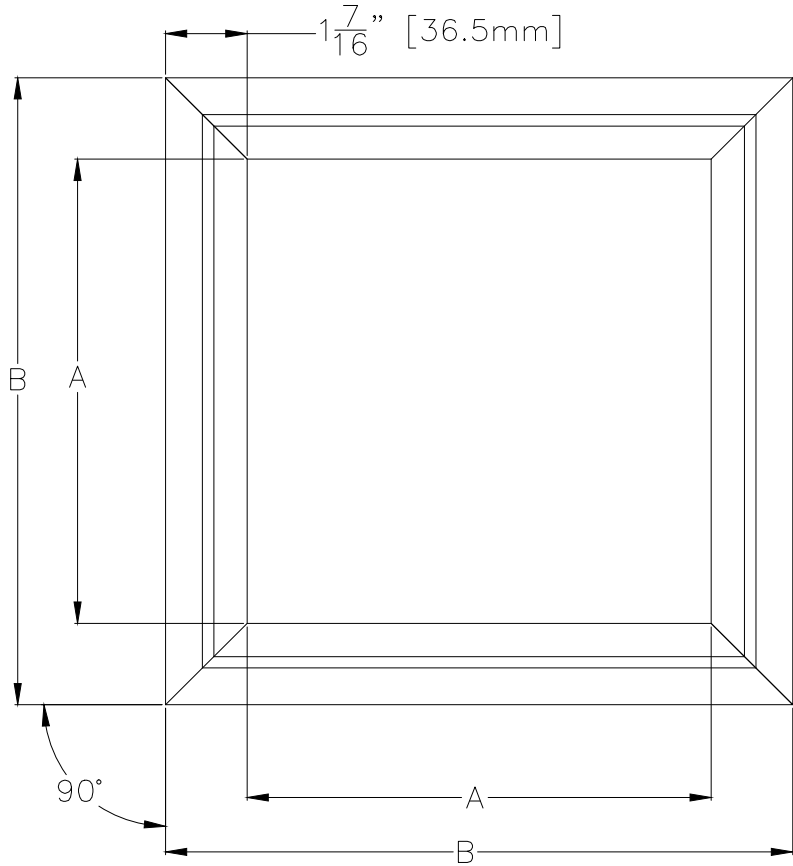


TITLE PLAIN PRO STYLE BASE (PL3)  
COLUMN WRAP PLAIN PRO SELECT STYLE BASE

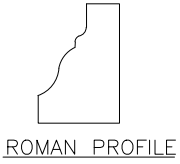
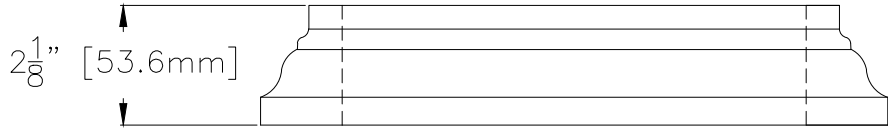
SIZE D	QUOTED ITEM NUMBER	DRWG NO.	REV
DRAWN BY MVS	DATE 01/09/18	CHECKED BY	CHECKED BY
SCALE FULL	DO NOT SCALE DRAWING	SHEET 1 OF 1	

UNLESS OTHERWISE SPECIFIED, ALL DIMENSIONS ARE IN INCHES

ECO NUMBER	ZONE	REV	DESCRIPTION	DATE	APPROVED

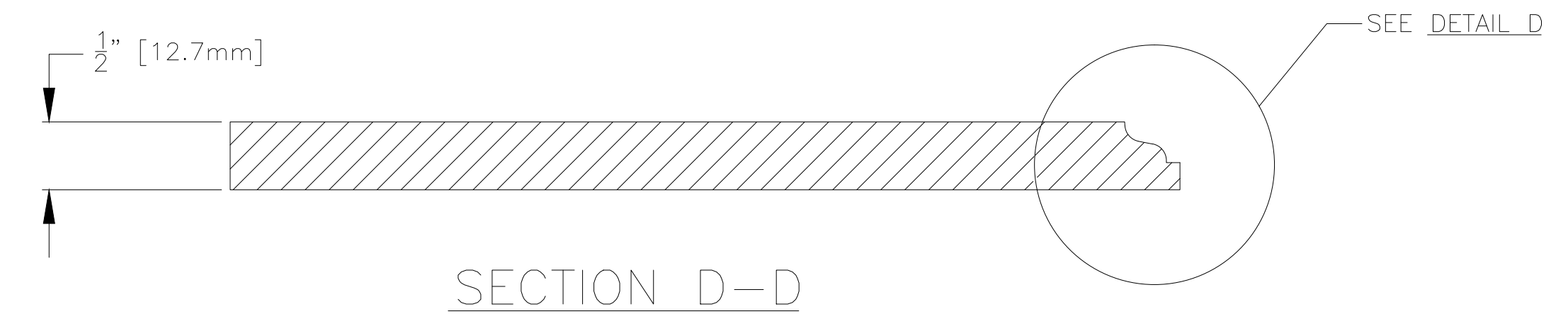
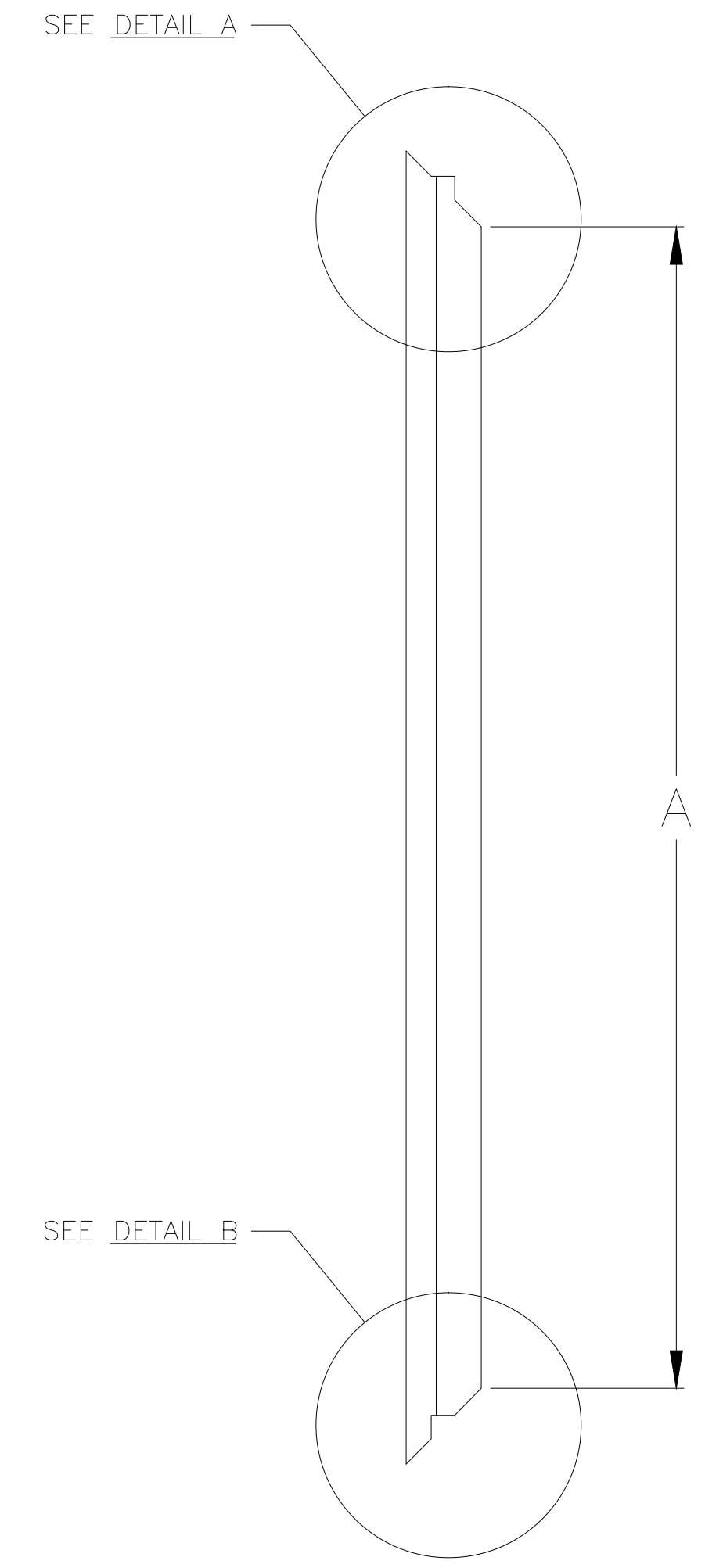
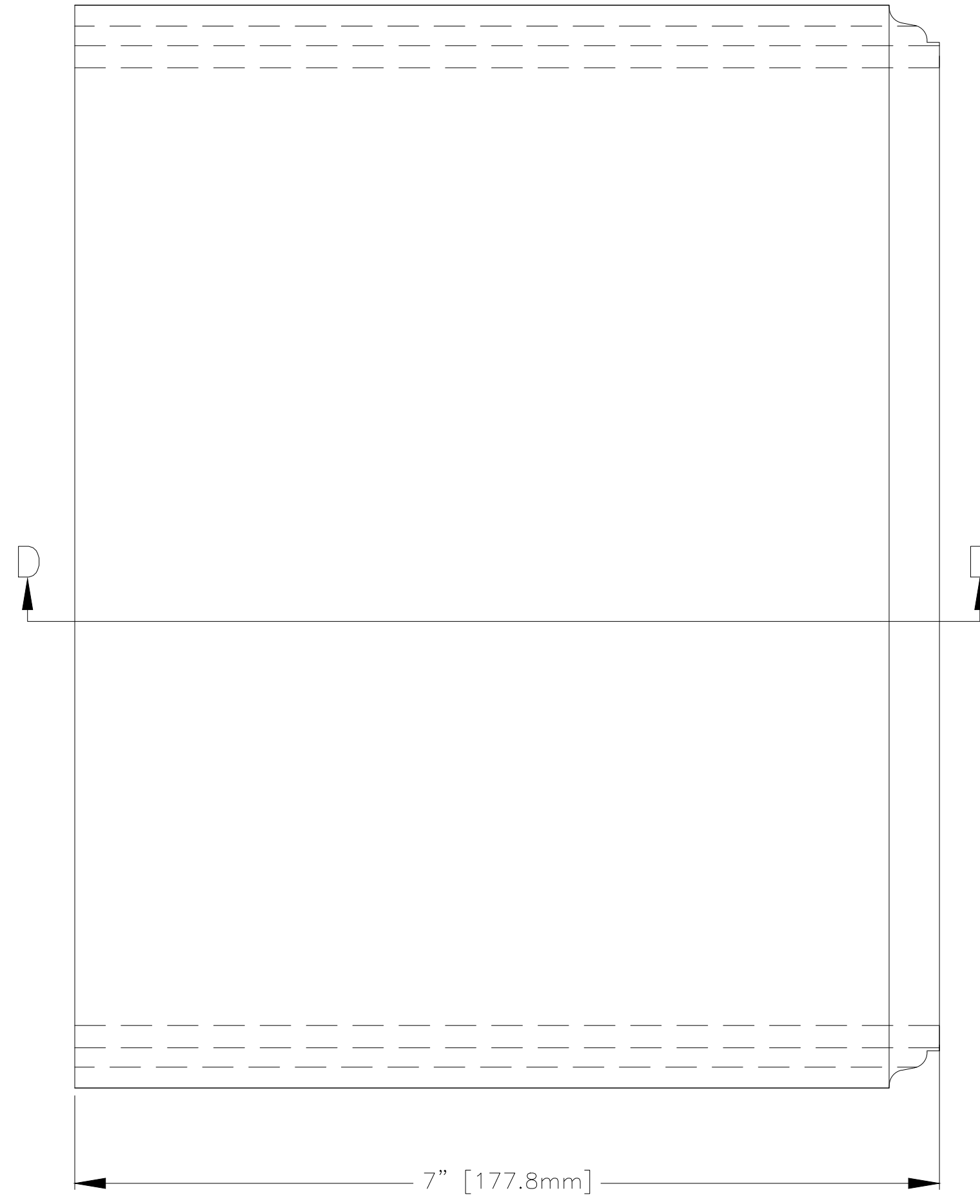


CATALOG - CAP AND BASE			
CAP & BASE (-SA Part Number)	Nominal "A"	Actual "A"	Actual "B"
CW6ROC&B-SA	6"	6 3/16"	9 1/16"
CW8ROC&B-SA	8"	8 3/16"	11 1/16"
CW10ROC&B-SA	10"	10 3/16"	13 1/16"
CW11ROC&B-SA	11"	11 3/16"	14 1/16"
CW12ROC&B-SA	12"	12 3/16"	15 1/16"
CW13ROC&B-SA	13"	13 3/16"	16 1/16"
CW16ROC&B-SA	16"	16 3/16"	19 1/16"
CW20ROC&B-SA	20"	20 3/16"	23 1/16"
CW24ROC&B-SA	24"	24 3/16"	27 1/16"

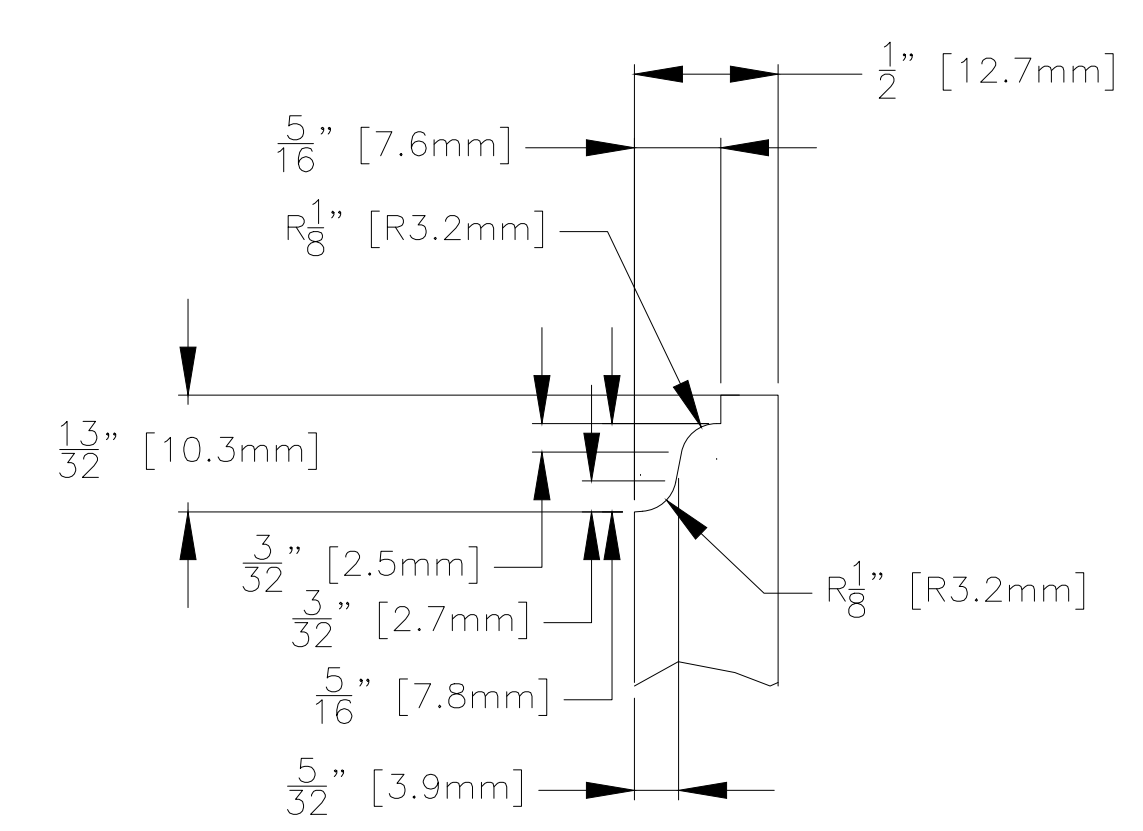


TITLE ROMAN CAP/BASE			
COLUMN WRAP ROMAN CAP/BASE			
SIZE D	QUOTED ITEM NUMBER	DRWG NO.	REV
DRAWN BY CDB	DATE 5/16/07	CHECKED BY	CHECKED BY
SCALE 3/4" = 1"		DO NOT SCALE DRAWING	SHEET 1 OF 1
UNLESS OTHERWISE SPECIFIED, ALL DIMENSIONS ARE IN INCHES			

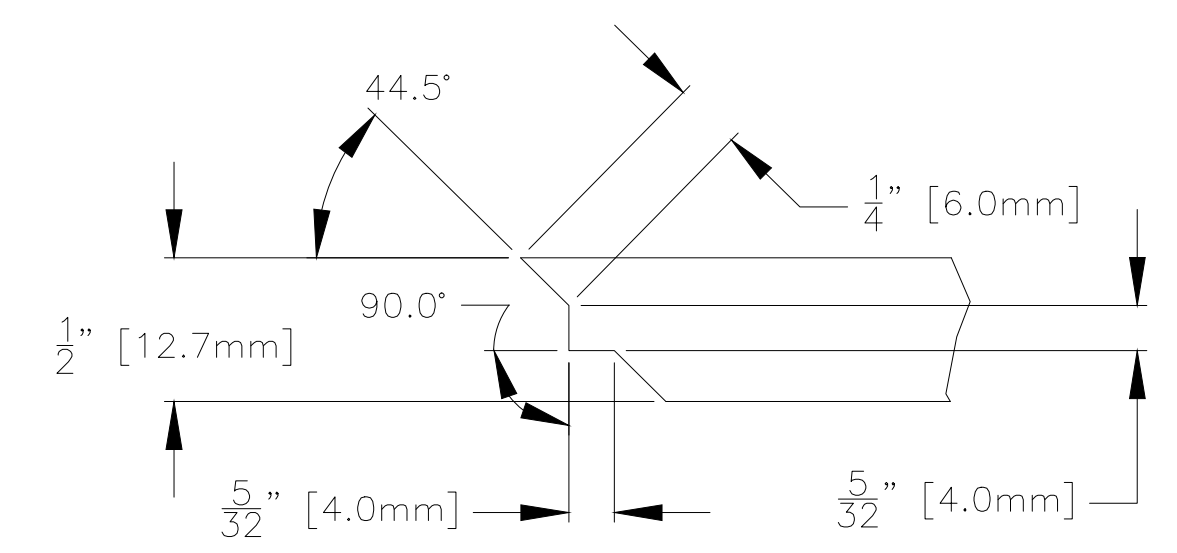
ECO NUMBER	ZONE	REV	DESCRIPTION	DATE	APPROVED



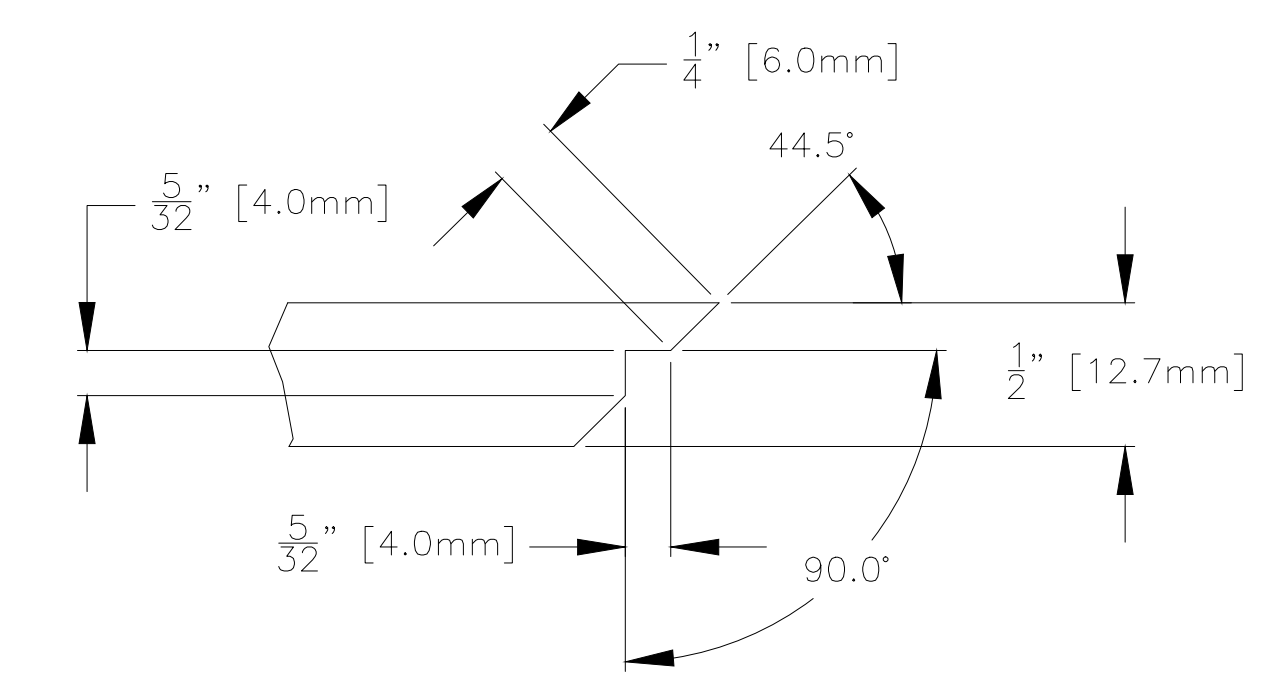
Part Number (if applicable)	Nominal "A"	Actual "A"	"A" Tolerance
CW6TRCAP-SA	6"	5 7/8"	+1/16 [1.6mm] -0 [0mm]
CW8TRCAP-SA	8"	7 7/8"	+1/16 [1.6mm] -0 [0mm]
CW10TRCAP-SA	10"	9 7/8"	+1/16 [1.6mm] -0 [0mm]
CW12TRCAP-SA	12"	11 7/8"	+1/16 [1.6mm] -0 [0mm]



SCALE: 1.5" = 1"



SCALE: 1.5" = 1"



SCALE: 1.5" = 1"

**FYPON**

TITLE: TRADITIONAL STYLE CAP (TR)  
COLUMN WRAP TRADITIONAL SYTLE CAP

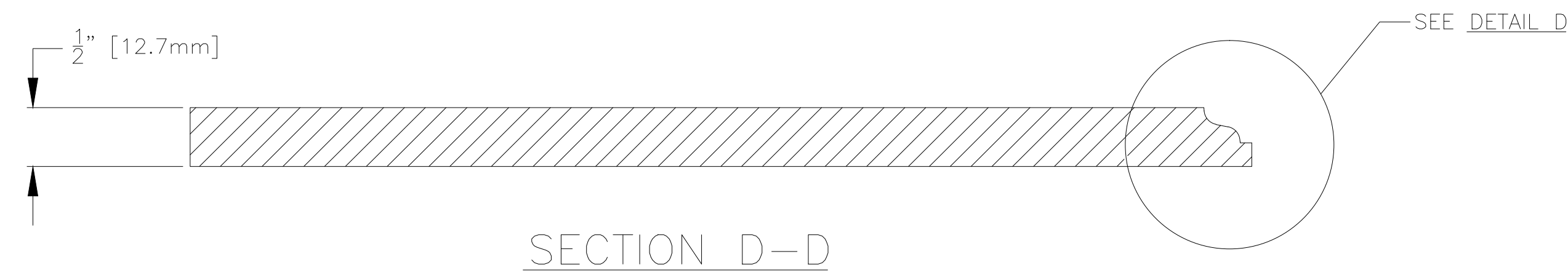
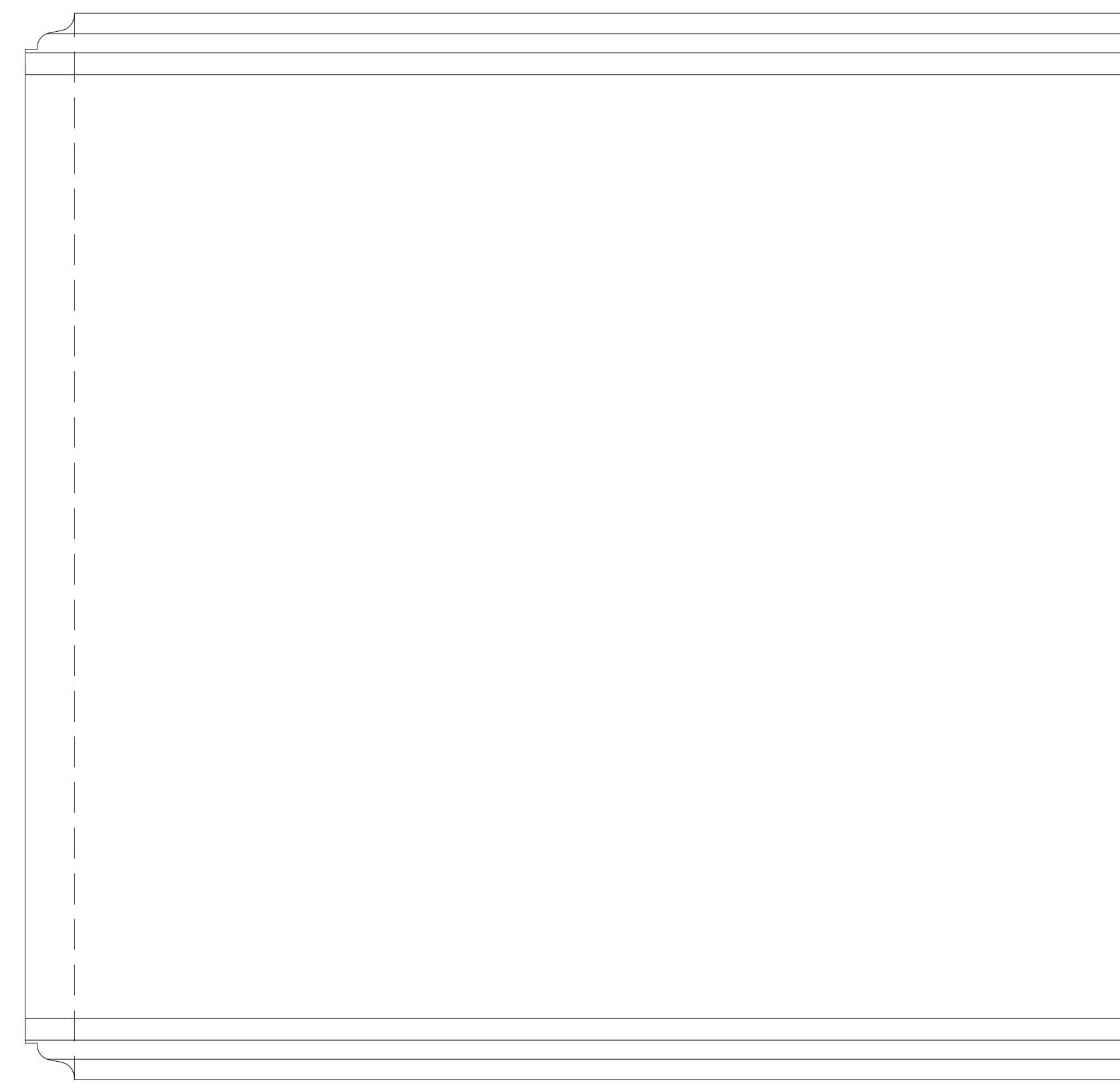
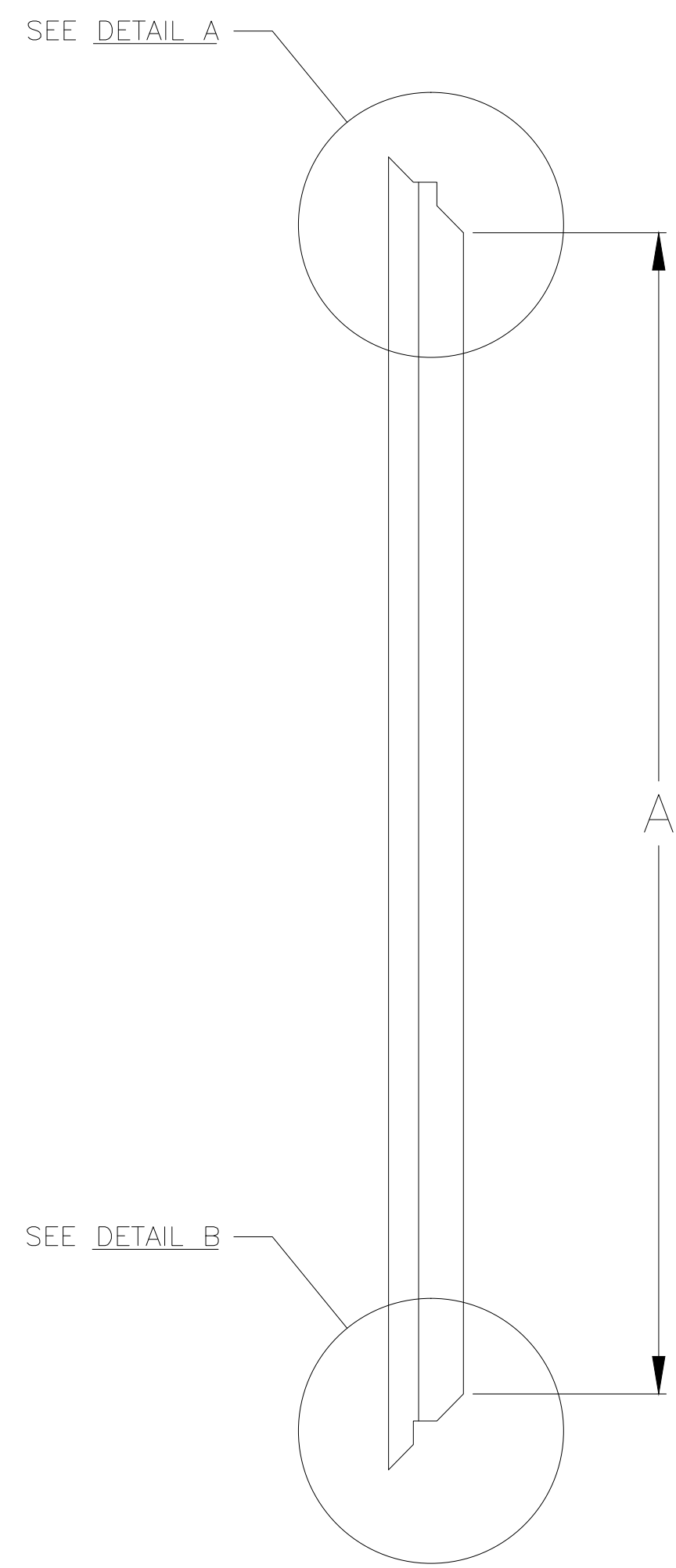
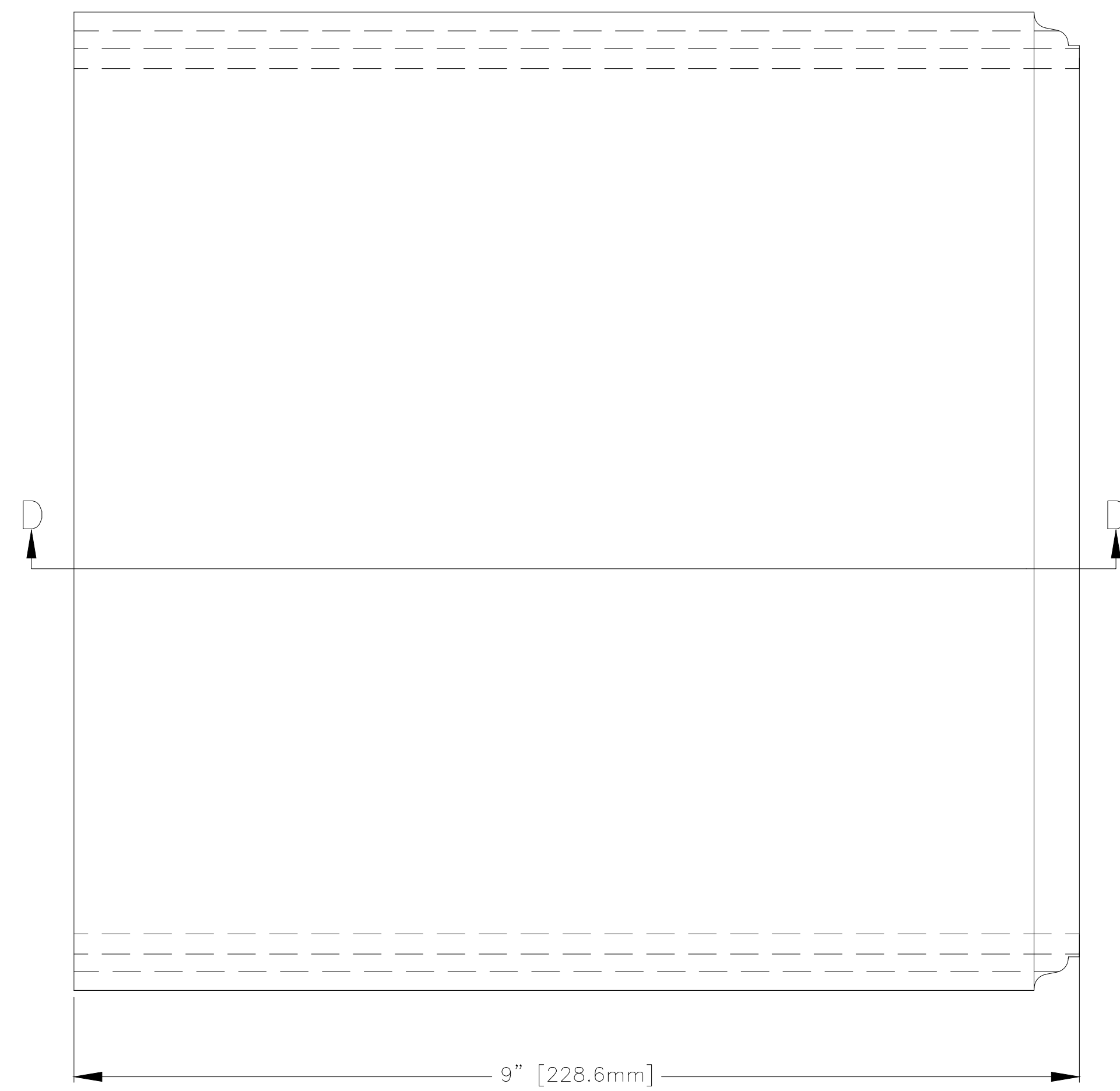
SIZE	QUOTED ITEM NUMBER	DRWG NO.	REV
D			

DRAWN BY	DATE	CHECKED BY	CHECKED BY
HL	01/09/18		

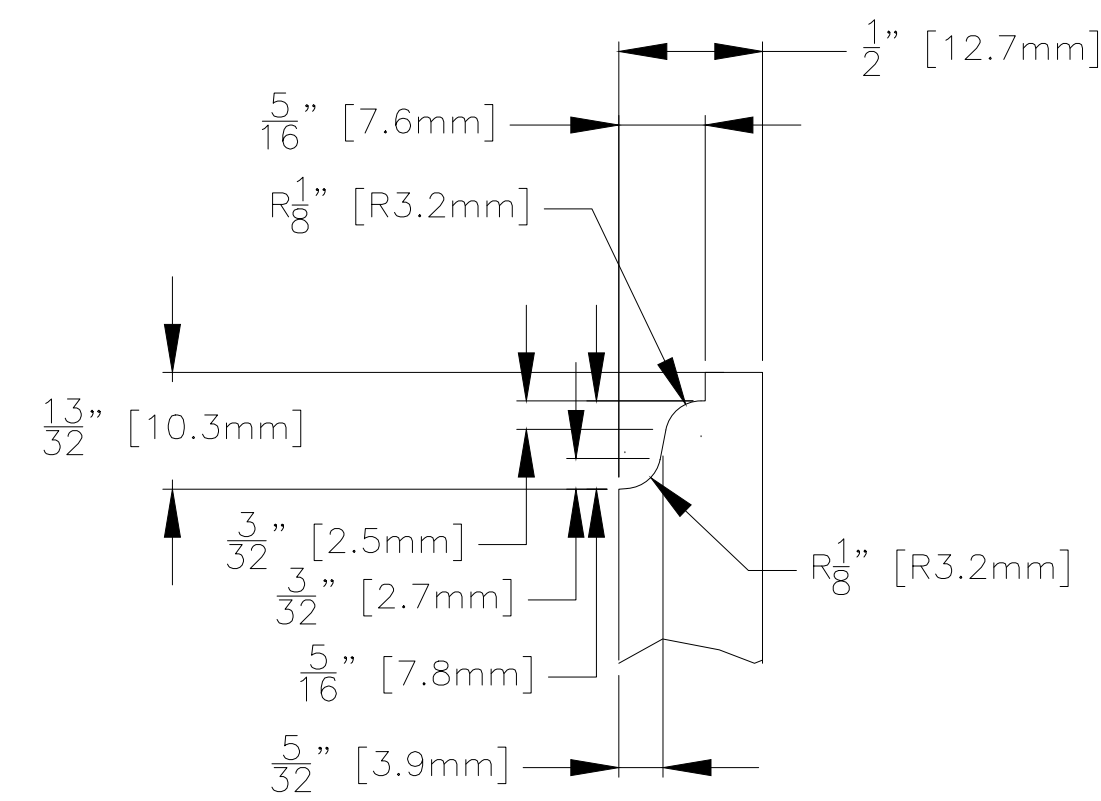
SCALE: FULL      DO NOT SCALE DRAWING      SHEET 1 OF 1

UNLESS OTHERWISE SPECIFIED, ALL DIMENSIONS ARE IN INCHES

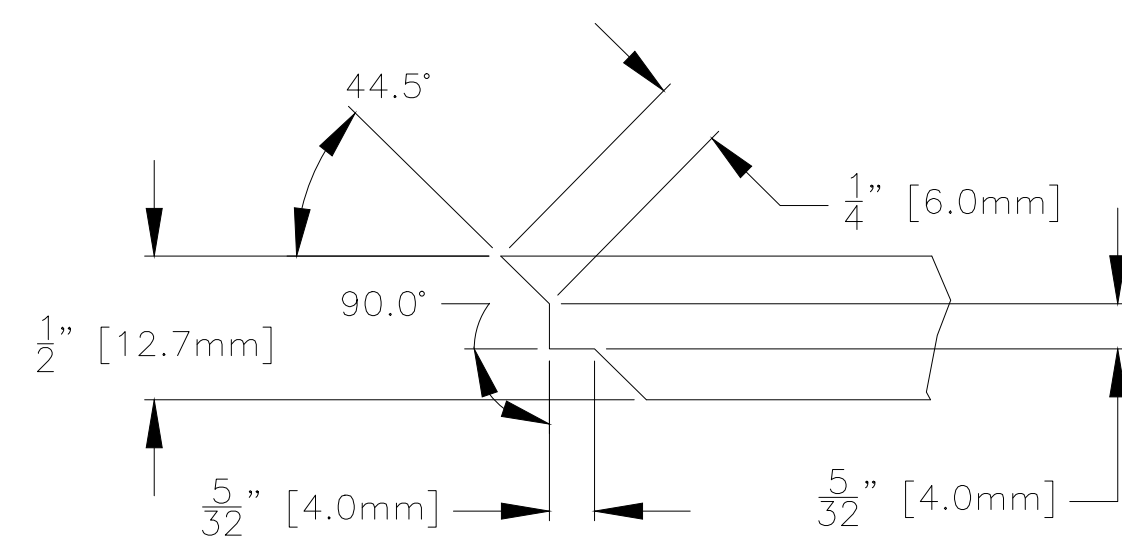
ECO NUMBER	ZONE	REV	DESCRIPTION	DATE	APPROVED



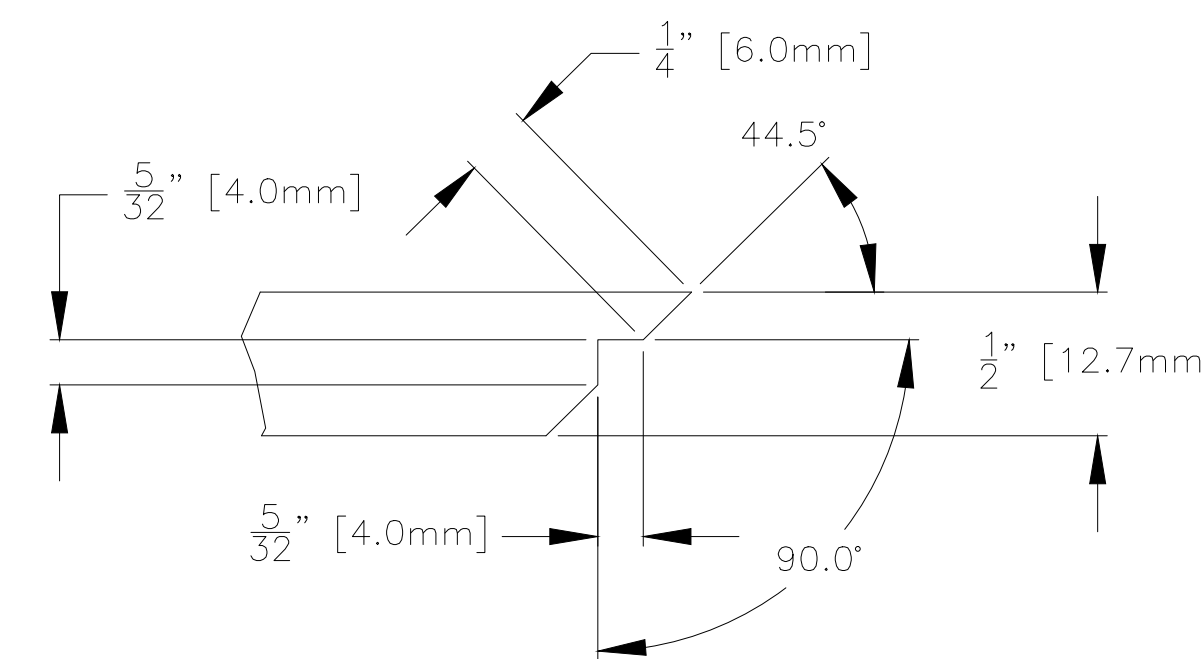
Part Number (if applicable)	Nominal "A"	Actual "A"	"A" Tolerance
CW6TRBASE-SA	6"	5 7/8"	+1/16 [1.6mm] -0 [0mm]
CW8TRBASE-SA	8"	7 7/8"	+1/16 [1.6mm] -0 [0mm]
CW10TRBASE-SA	10"	9 7/8"	+1/16 [1.6mm] -0 [0mm]
CW12TRBASE-SA	12"	11 7/8"	+1/16 [1.6mm] -0 [0mm]



DETAIL D  
SCALE: 1.5" = 1"



DETAIL A  
SCALE: 1.5" = 1"

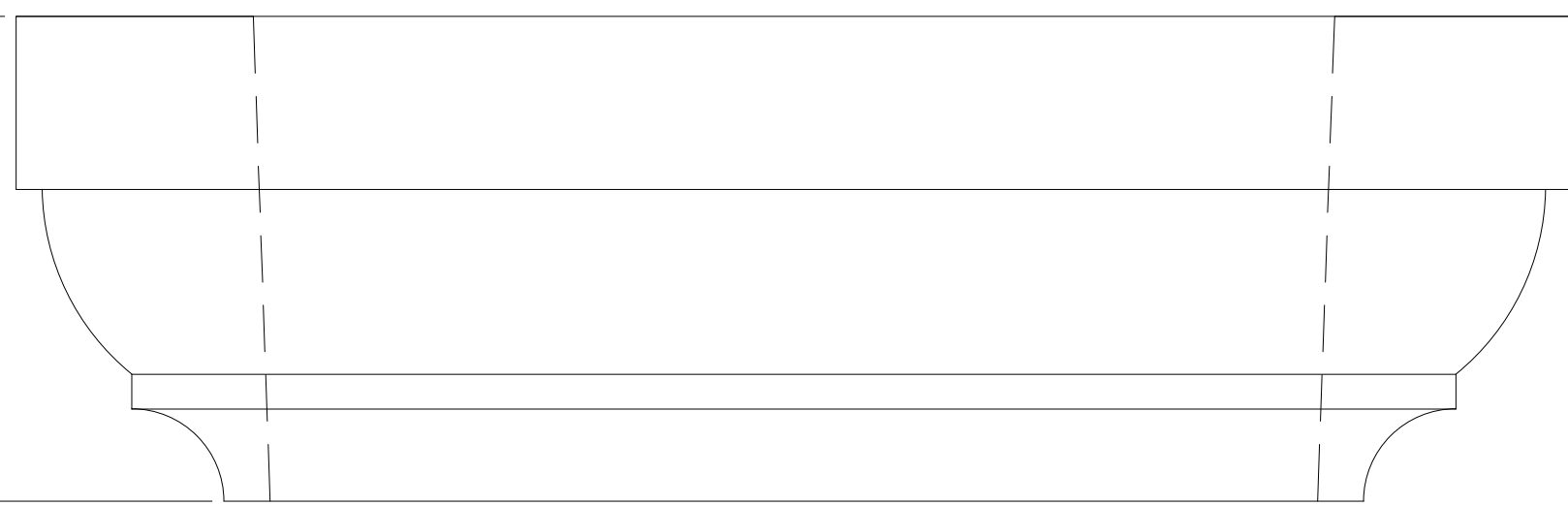


DETAIL B  
SCALE: 1.5" = 1"

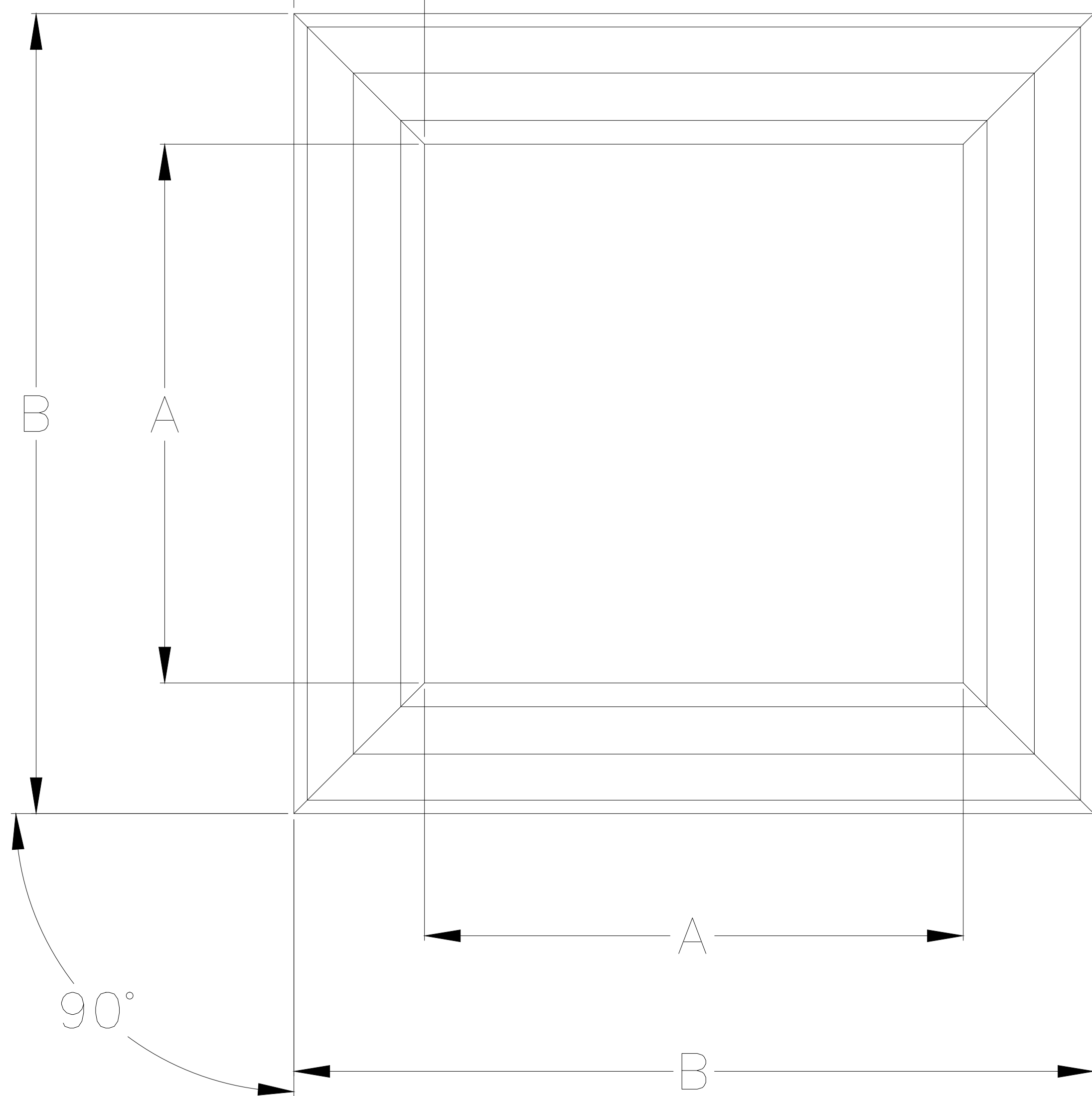
TITLE TRADITIONAL STYLE BASE (TR) COLUMN WRAP TRADITIONAL STYLE BASE			
SIZE D	QUOTED ITEM NUMBER	DRWG NO.	REV
DRAWN BY HL	DATE 01/09/18	CHECKED BY	CHECKED BY
SCALE FULL	DO NOT SCALE DRAWING	SHEET 1 OF 1	
UNLESS OTHERWISE SPECIFIED, ALL DIMENSIONS ARE IN INCHES			

ECO NUMBER	ZONE	REV	DESCRIPTION	DATE	APPROVED

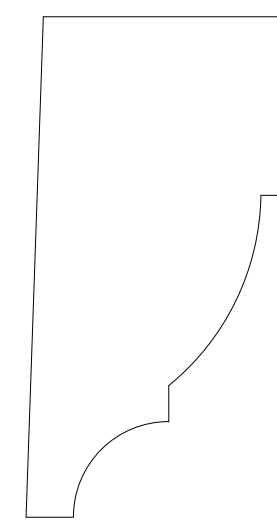
$2\frac{5}{8}"$  [66.3mm]



$1\frac{3}{8}"$  [34.7mm]



CATALOG – CAP AND BASE			
CAP (-SA Part Number)	Nominal "A"	Actual "A"	Actual "B"
CW6TSCAP-SA	6"	6 3/16"	8 15/16"
CW8TSCAP-SA	8"	8 3/16"	10 15/16"
CW10TSCAP-SA	10"	10 3/16"	12 15/16"
CW11TSCAP-SA	11"	11 3/16"	13 15/16"
CW12TSCAP-SA	12"	12 3/16"	14 15/16"
CW13TSCAP-SA	13"	13 3/16"	15 15/16"
CW16TSCAP-SA	16"	16 3/16"	18 15/16"
CW20TSCAP-SA	20"	20 3/16"	22 15/16"
CW24TSCAP-SA	24"	24 3/16"	26 15/16"

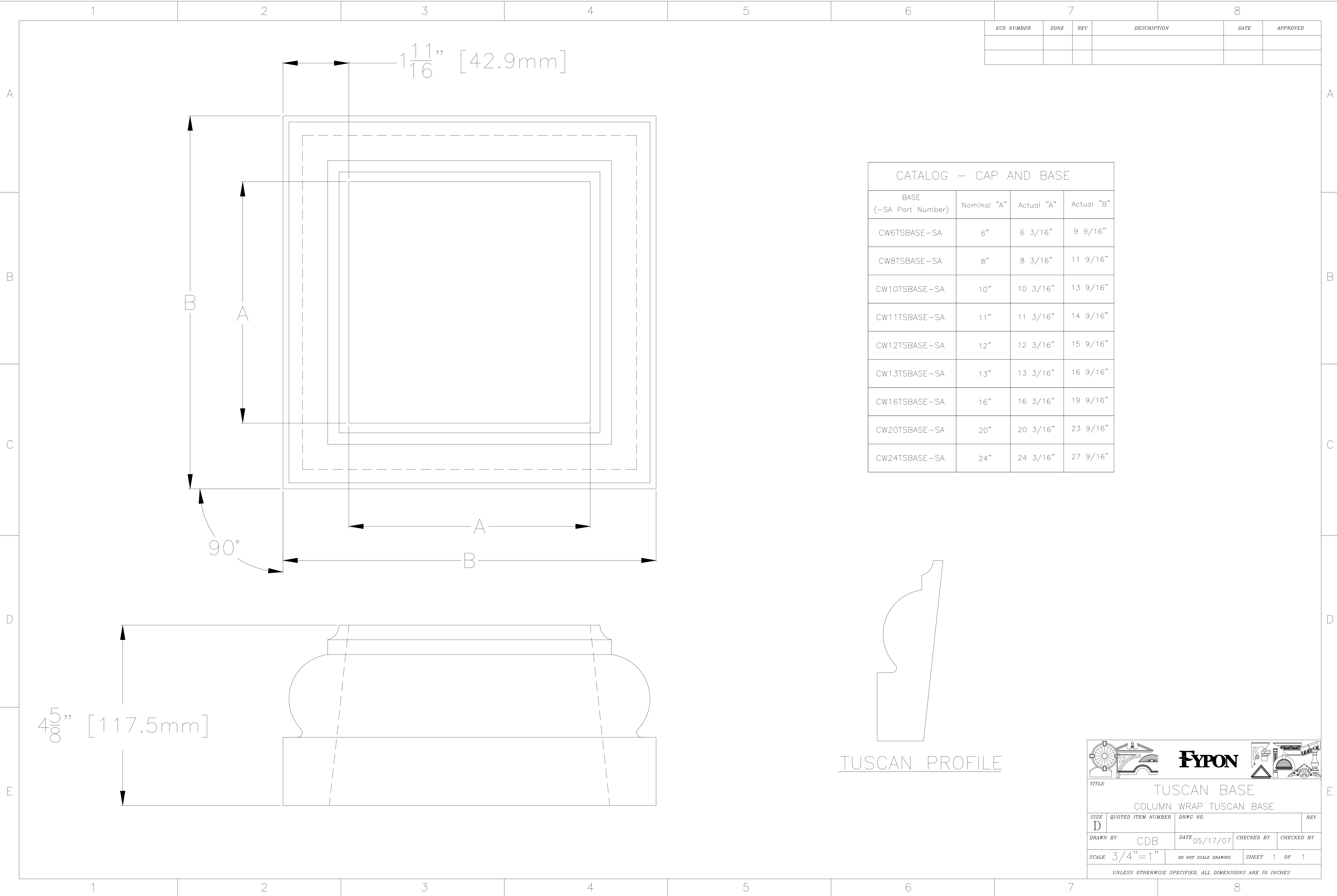


TUSCAN PROFILE

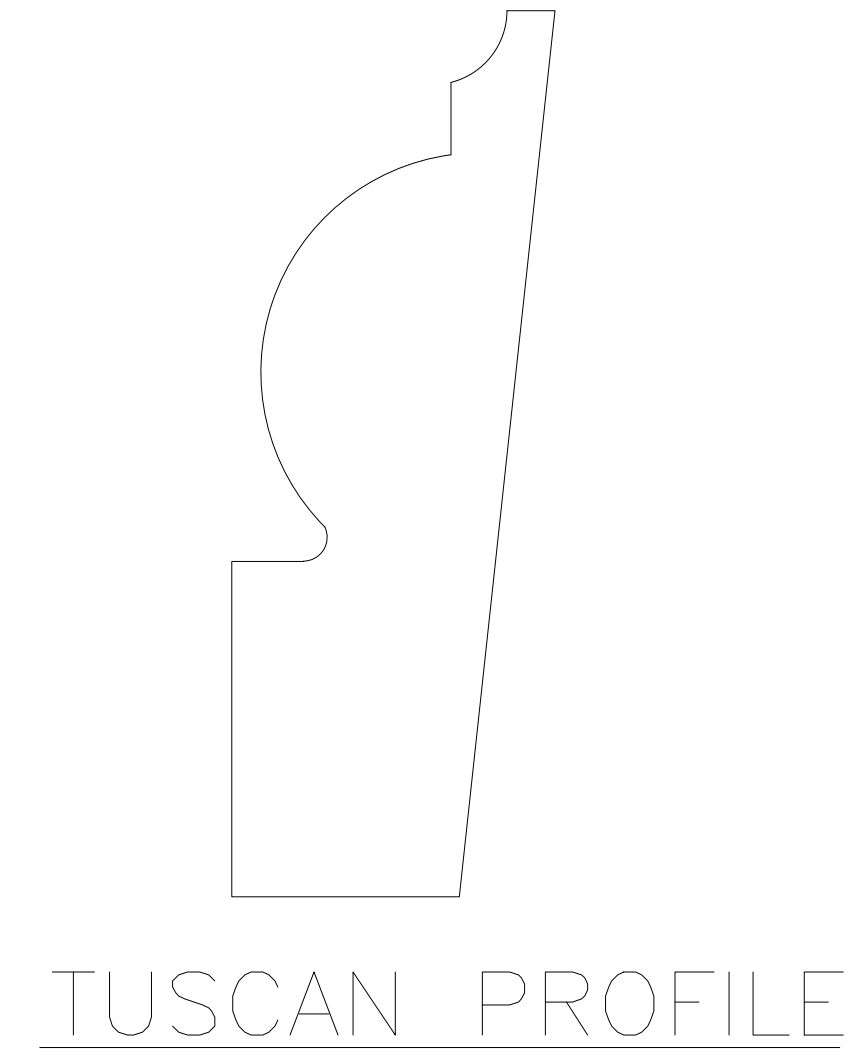
TITLE TUSCAN CAP COLUMN WRAP TUSCAN CAP			
SIZE D	QUOTED ITEM NUMBER	DRWG NO.	REV
DRAWN BY CDB	DATE 05/18/07	CHECKED BY	CHECKED BY
SCALE 3/4" = 1"	DO NOT SCALE DRAWING	SHEET 1 OF 1	
UNLESS OTHERWISE SPECIFIED, ALL DIMENSIONS ARE IN INCHES			



ECO NUMBER	ZONE	REV	DESCRIPTION	DATE	APPROVED



CATALOG – CAP AND BASE			
BASE (-SA Part Number)	Nominal "A"	Actual "A"	Actual "B"
CW6TSBASE-SA	6"	6 3/16"	9 9/16"
CW8TSBASE-SA	8"	8 3/16"	11 9/16"
CW10TSBASE-SA	10"	10 3/16"	13 9/16"
CW11TSBASE-SA	11"	11 3/16"	14 9/16"
CW12TSBASE-SA	12"	12 3/16"	15 9/16"
CW13TSBASE-SA	13"	13 3/16"	16 9/16"
CW16TSBASE-SA	16"	16 3/16"	19 9/16"
CW20TSBASE-SA	20"	20 3/16"	23 9/16"
CW24TSBASE-SA	24"	24 3/16"	27 9/16"



<b>TUSCAN BASE</b> COLUMN WRAP TUSCAN BASE			
SIZE <b>D</b>	QUOTED ITEM NUMBER	DRWG NO.	REV
DRAWN BY CDB	DATE 05/17/07	CHECKED BY	CHECKED BY
SCALE 3/4" = 1"	DO NOT SCALE DRAWING	SHEET 1 OF 1	
<small>UNLESS OTHERWISE SPECIFIED, ALL DIMENSIONS ARE IN INCHES</small>			