

### General & Safety Information

- Wear proper personal protective equipment (PPE).
- Operate all tools per manufacturer guidelines.
- Standard woodworking saws and blades can be used for cutting Fypon® polyurethane (PUR) products.
- Fypon PUR parts are NOT load bearing.
- For remodeling applications and alternative facades like stucco, vinyl, etc., please refer to Fypon General Remodeling and Alternate Facade Instructions, which can be found at [fypon.com/install](https://fypon.com/install).
- For best results, finish and allow to dry prior to installation. Refer to Fypon General Finishing Instructions, which can be found at [fypon.com/install](https://fypon.com/install).
- All Fypon products must be installed per the following instructions and finished within 90 days of installation to maintain warranty coverage.

### Tools / Materials

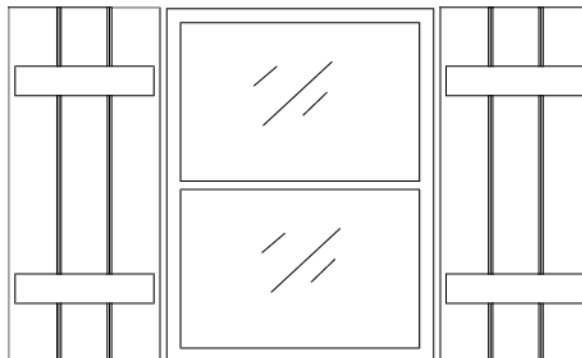
- Pencil
- Tape measure
- Level
- Hammer or pneumatic nailer
- Nail countersink
- Drill / driver (if using screws)
- Putty knife
- Saw (if trimming)
- Sandpaper (220-grit recommended)
- Caulk gun
- Exterior-grade Polyurethane-compatible sealant and / or filler
- Exterior-grade polyurethane-compatible adhesive  
Loctite® PL Premium® recommended
- Exterior-grade fasteners (trim head screws recommended)

### Installation Instructions

#### 1) Mark installation area.

Hold part in place, make sure it is level and plumb, and mark the desired location. Shutters are typically positioned so they are centered with the window (Figure 1). Pre-drill fastener locations if necessary. Fastener locations should be no more than 16" apart.

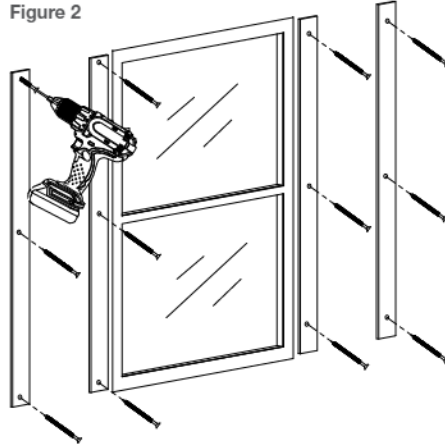
Figure 1



### 2) Install installation strips (if new construction stucco).

Place 1" x 4" strips of moisture-resistant material on top of the brown coat, so they will sit 1/2" to 1" inside the edges of the shutters. Fasten them using adhesive and three exterior-grade screws (Figure 2), and cover screws with sealant prior to shutter installation. (The stucco finish coat can be applied around the installation strips and allowed to dry, before installing the shutters on top of the installation strips.)

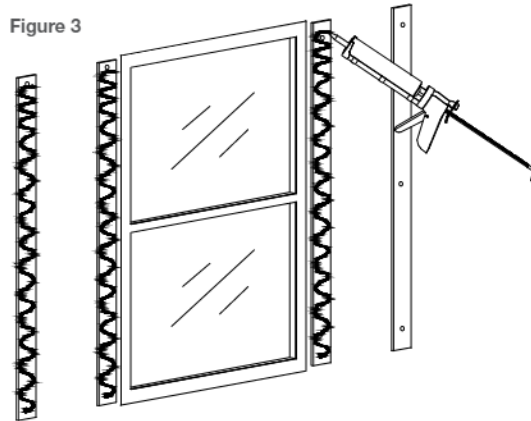
Figure 2



### 3) Apply adhesive.

If using installation strips, apply a 1/4" bead of adhesive in a zigzag pattern to each one (Figure 3). If not, apply a 1/4" bead of adhesive to the back of the shutters, leaving gaps at the bottom for water to escape.

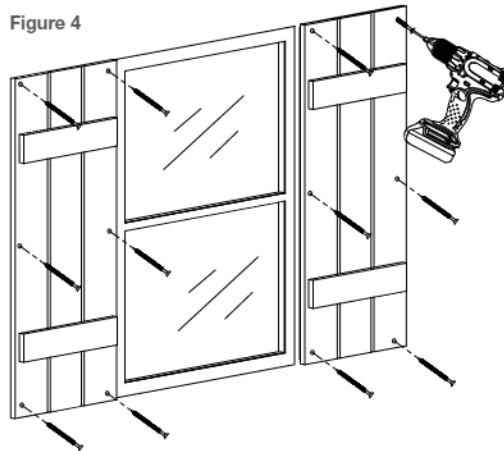
Figure 3



### 4) Fasten.

Press the shutter into place and fasten with exterior-grade fasteners (Figure 4), making sure to countersink them below the surface. Remove any excess adhesive. If installing over installation strips, make sure the fasteners go into the installation strips. Fasteners should be no more than 16" apart.

Figure 4



### 5) Fill and sand fastener holes.

Fill fastener holes with filler and sand to match surrounding area, if needed, but be careful not to remove the primer.

### 6) Touch up or finish.

Refer to *Fypon® General Finishing Instructions*. If part was finished prior to installation, touch up filled fastener holes with color-matched finish. Caulk around top and sides with sealant, leaving the bottom open for water to escape.