

General & Safety Information

- Wear proper personal protective equipment (PPE).
- Operate all tools per manufacturer guidelines.
- Standard woodworking saws and blades can be used for cutting Fypon® PVC products.
- Fypon PVC parts are NOT load bearing. Column wraps are designed to be installed around a properly specified and installed structural post that meets applicable code requirements.
- These instructions assume that correctly specified structural posts are already properly installed. If using a Fypon structural post, refer to the Fypon Structural Post Installation Instructions, which can be found at fypon.com/install.
- If finishing, refer to Fypon General Finishing Instructions, which can be found at fypon.com/install. Unlike most other Fypon products, finishing column wraps is most commonly done after installation.
- All Fypon products must be installed per the following instructions to maintain warranty coverage.

Tools / Materials

- Ladder
- Pencil
- Tape measure
- Level
- Combination square
- Hammer or pneumatic nailer
- Nail countersink
- Drill / driver (if using screws)
- Hammer drill (if fastening to concrete)
- Putty knife
- Miter, rip or circular saw
- Treated lumber (if blocking is needed)
- Shims
- Fine-grit sandpaper (1000 grit or finer)
- Caulk gun
- Exterior-grade PVC-compatible filler
- Exterior-grade PVC-compatible sealant / adhesive (included in Fypon installation kit)
- Exterior-grade fasteners (screws included in Fypon installation kit)

Included with column wrap kit:

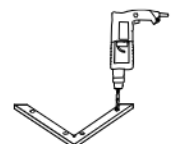
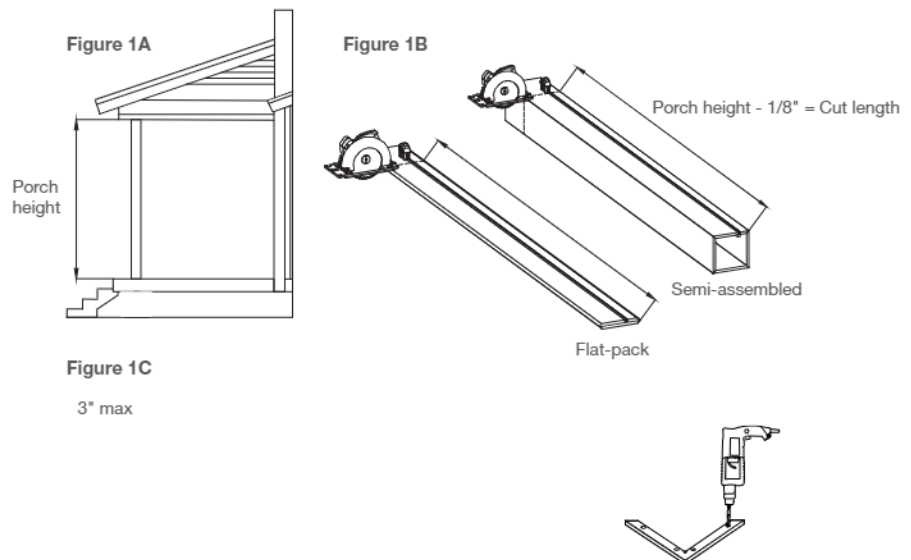
- (2) Column wrap halves
- (4) L-shaped external cleats
- (2) Base halves (sold separately for flat-pack)
- (2) Cap halves (sold separately for flat-pack)
- (1) Installation kit (sold separately for flat-pack)
 - Exterior-grade PVC-compatible sealant / adhesive
 - Exterior-grade screws

Installation Instructions

1) Measure and cut column wrap halves.

At the location of the post, measure the distance from the porch floor to the mounting surface on the overhead porch structure (Figure 1A). Subtract 1/8" from that measurement and cut the column wrap halves to length (Figure 1B). Dry fit column wrap to ensure proper fit, and trim if needed.

Designs with flutes or panels can be cut down a maximum of 3", from the bottom (Figure 1C).



2) Mark column wrap position.

Make sure the cleat will fit properly around the outside of the column wrap at the bottom and trim it if needed.

Identify and mark the location for the cleats, noting that they will fit around the outside of the column wrap. It may be helpful to dry fit the column wrap when doing this, make sure it is plumb, and trace around the outside of the cleats.

Note that the column wrap should not overhang the porch floor, and the post may not be centered within the column wrap (Figure 2A).

Note that if the column wrap is tapered, the top and bottom cleats will be different sizes (Figure 2B).

3) Pre-drill cleats.

Drill holes in cleats where they will attach to the porch floor or overhead porch structure (Figure 3).

4) Assemble column wrap halves.

For flat-pack designs, apply adhesive to the V-groove (Figure 4A) before folding the column wrap half together to form a right angle (Figure 4B). Do this for both column wrap halves. Fasteners or clamps may be used to maintain the right angle while the adhesive cures. If semi-assembled, proceed to the next paragraph.

Attach cleats to the bottom ends of both column wrap halves, flush with the ends, using 1-1/4" long exterior-grade screws and fasten from the inside of the column wrap (Figure 4C).

Figure 2A

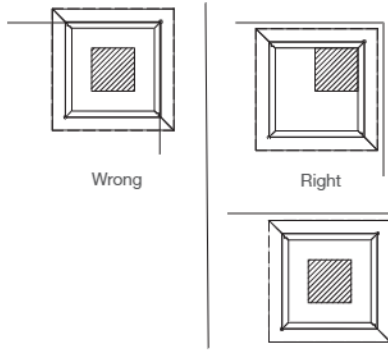


Figure 2B

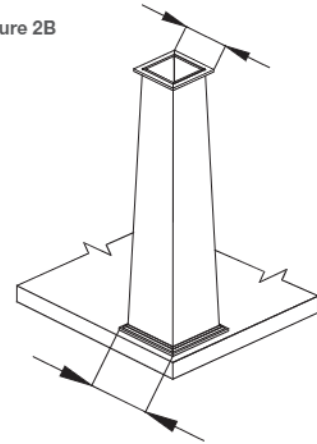


Figure 3

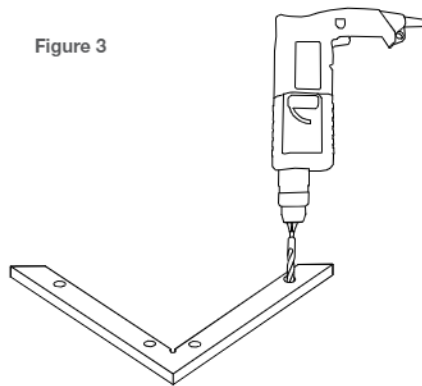


Figure 4A

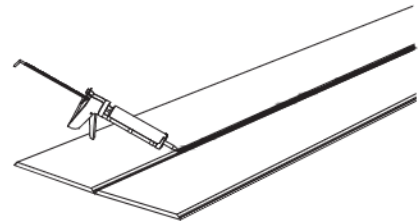


Figure 4B

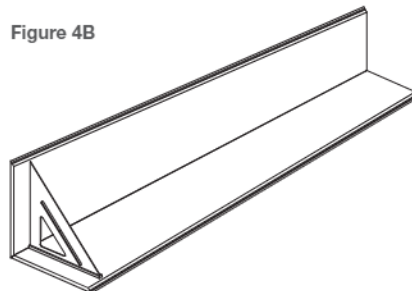
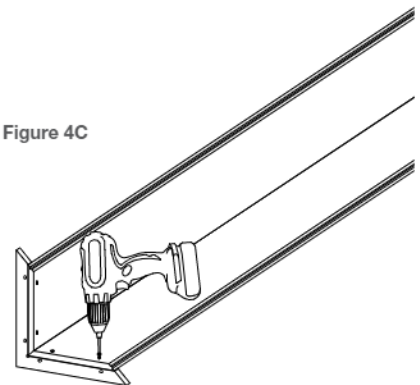


Figure 4C



5) Install blocking for railing system (if applicable).

If a railing system will be attached to the column wrap, install treated lumber blocking at the railing attachment locations (Figure 5A). The blocking must span the space between the inside of the column wrap and the structural post on sides where railing will be attached, and it should be fastened to the structural post to prevent the blocking from sliding up or down (Figure 5B).

Note that blocking is only necessary where the railing will attach, it is not always required to surround the structural post as shown (Figure 5B).

Figure 5A

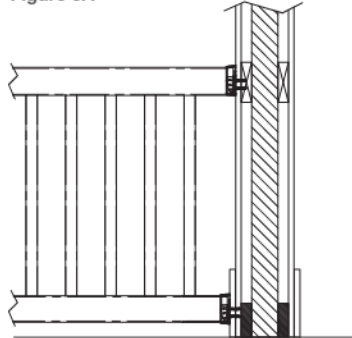
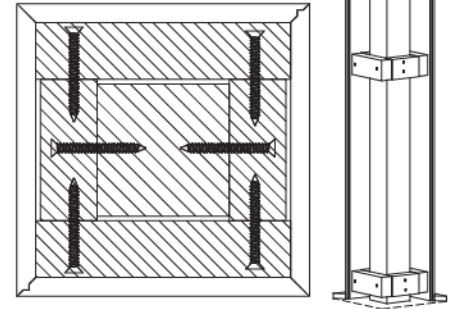


Figure 5B



6) Install column wrap halves.

Position one column wrap half around the post so it is plumb and aligned with the marks made in Step 2 (Figure 6A). Pre-drill if necessary and secure to the porch floor with the appropriate exterior-grade fasteners through the cleat (Figure 6B), countersinking the heads. Make sure the column wrap half is plumb and secure a cleat to the overhead porch structure around the outside of the column wrap half at the top (Figure 6C).

Apply adhesive generously to both mitered edges of the installed column wrap half (Figure 6D). This is necessary because fasteners will not be sufficient to keep the corners tight over time, and it is required for warranty coverage.

Position the second column wrap half so its mitered edges interlock with the installed half and press them together so the corners are tight. Fasten the halves together every 6" to 8" with 1-1/4" long exterior-grade fasteners (Figure 6E), countersinking the heads.

Install the other top cleat so it fits tightly against the column wrap and the other top cleat (Figure 6C). Remove any tape or excess adhesive.

Figure 6A

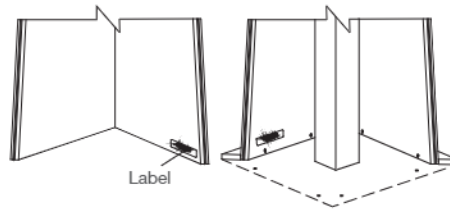


Figure 6B

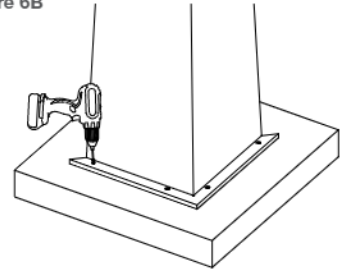


Figure 6C

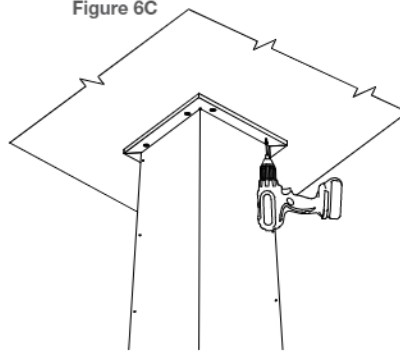


Figure 6D

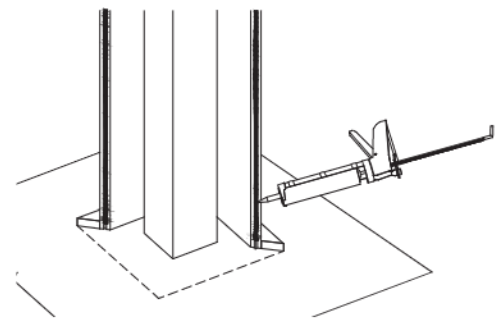
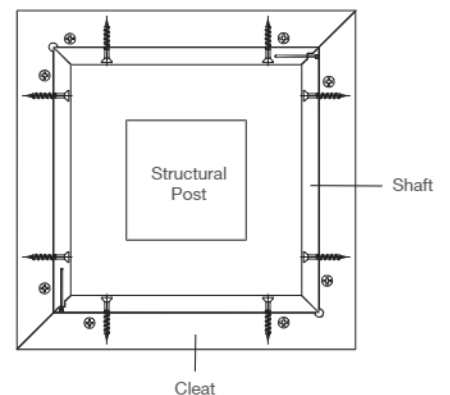
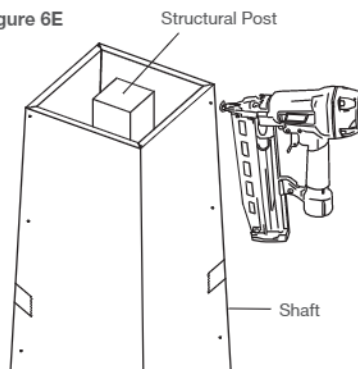
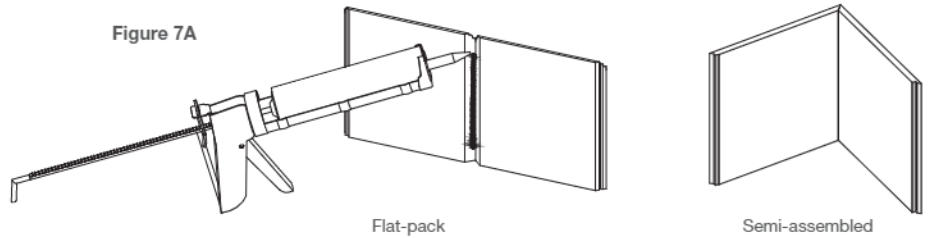


Figure 6E

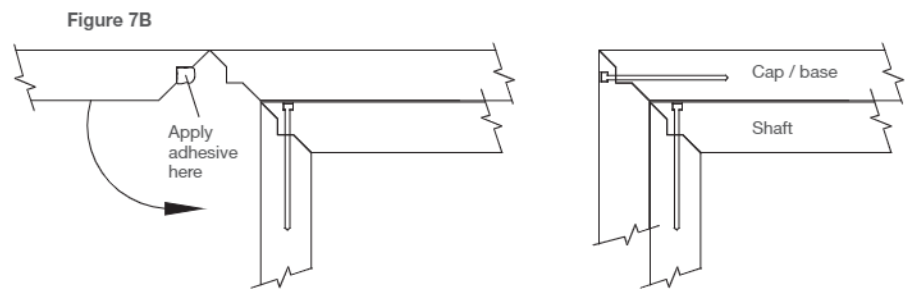


7) Install cap and base.

For flat-pack designs, apply adhesive to the V-groove (Figure 7A) before folding the base / cap half together to form a right angle. Do this for both halves. If semi-assembled, proceed to the next paragraph.

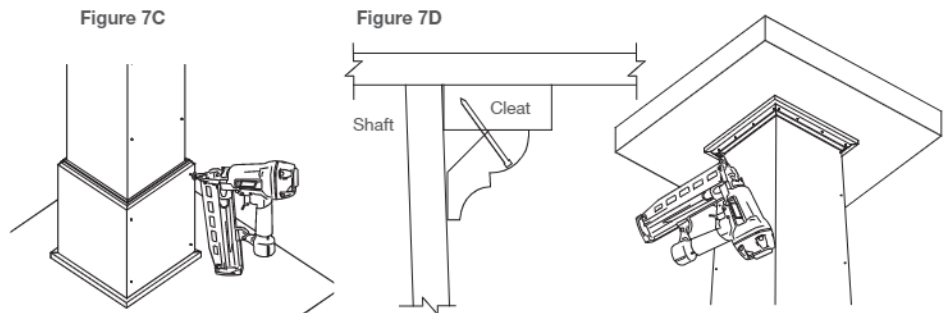


Position one base half so it sits on the bottom cleat and tightly against the column wrap, and fasten it to the column wrap using exterior-grade fasteners. Apply adhesive generously to both mitered edges of the installed base half (Figure 7B). Position the other base half so the mitered edges interlock and fasten at the corners every 6" to 8" with 1-1/4" long exterior-grade fasteners (Figure 7C), countersinking the heads. Remove any tape or excess adhesive.



Follow the same process to install the cap.

If using moulding pieces in place of a standard cap or base, cut moulding pieces to fit and fasten them to cleats with exterior-grade fasteners (Figure 7D).



8) Fill fastener holes and lightly sand corners.

Fill fastener holes with compatible filler and remove excess. Lightly sand any sharp corners, being careful not to damage the surface finish.

9) Touch up or finish.

Caulk joint between cap / base and column wrap with exterior-grade PVC-compatible sealant / adhesive to prevent water infiltration (Figure 9). If painting, refer to Fypon® General Finishing Instructions, and do not use a coating with a light reflectance value (LRV) below 55%. If part was finished prior to installation, touch up filled fastener holes with color-matched finish.

