



Bilco Ultra Series Basement Door Installation Instructions

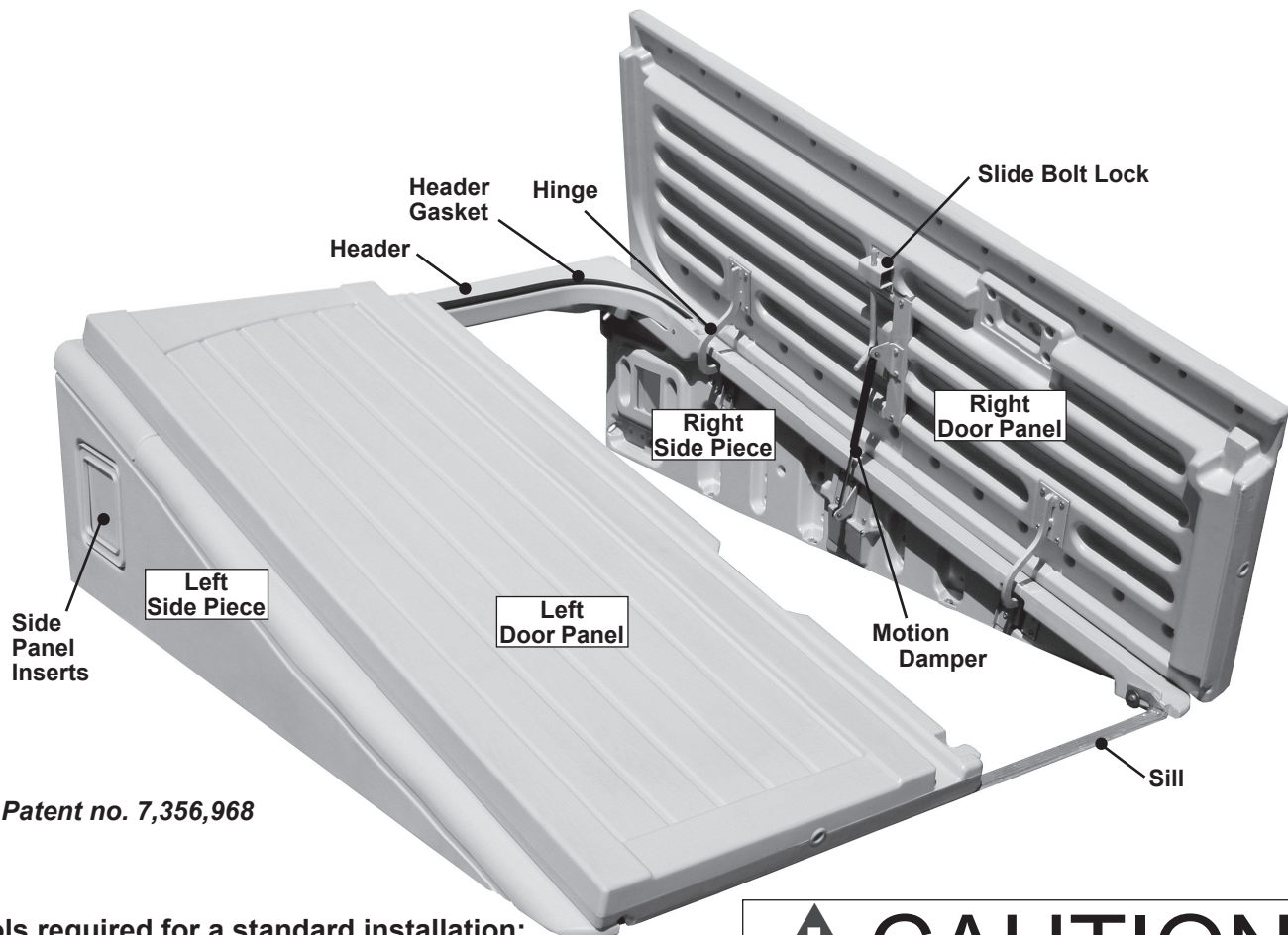


Imagine...
What Bilco can do for your basements

Customer Service: (800)854-9724
www.bilco.com

About These Instructions

It may be helpful to look through this entire folder before proceeding with the detailed assembly and installation instructions. The names of the various parts referred to in the instructions are indicated below and on page 2. If parts are missing or you have unique installation requirements not covered in these instructions, please call the Bilco customer service department.



Patent no. 7,356,968

Tools required for a standard installation:

- 5/16" wrench
- 1/2" wrench
- Flat blade screwdriver
- Phillips screwdriver
- Tape measure
- Level
- Electric drill
- 5/16" carbide masonry drill bit
- Polyurethane caulk (opaque)
- Work gloves
- Safety goggles

Depending upon the type of installation, some or all of the following also may be required:

- Hammer and nails
- Masonry chisel
- Shovel and trowel
- Sledge hammer
- Circular saw
- Wheelbarrow

CAUTION

When the doors are open for access, the area should be personally guarded to prevent anyone from falling down the stairs. Surface may be slippery. Doors should be closed and locked when not in use.

KEEP OFF DOORS TO AVOID INJURY

The Bilco Ultra Series Basement Door is engineered to the highest specifications to meet exacting tolerances. Due to the properties of the HDPE (High Density Polyethylene), some components of the door may vary slightly in appearance compared to others following installation and regular operation. These variations are normal and will not affect the performance of the product or its 10-year warranty.

Ultra Series Basement Door Components and Hardware

The majority of the door hardware is factory installed for ease of installation. In addition to the major components shown on page 1, the door is supplied with the following parts:

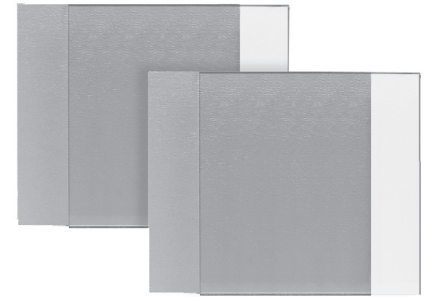
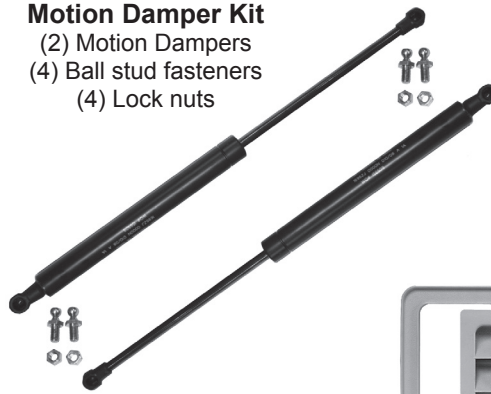
Hardware Package Contents

- (11) #12 x 1½" hex head screws
- (11) Plastic anchors
- (5) #10 x 2½" deck screws
- (3) ½" O.D. X ⅛" nylon spacers
- (7) ½" O.D. X ¼" nylon spacers
- (19) ¼-20 x 1" pan head screws
- (4) #10 x 1½" flat head screws
- (3) #10 x 1" drive screws
- (13) ⅞" O.D. steel washers
- (13) Spring steel nuts

* Extra fasteners are included in package

Motion Damper Kit

- (2) Motion Dampers
- (4) Ball stud fasteners
- (4) Lock nuts



Side Panel Insert Kit*

- (2) Solid panel inserts
- (2) Clear panel inserts

* Louver side panel inserts with insect screen are factory installed. Inserts can be changed by following Step 5 of instructions.

Installing the door on an areaway that is smooth and level and properly sized to fit the door

The Bilco basement door will shed water in normal conditions only when installed and caulked in accordance with these instructions. If there are no rain gutters above door, a diverter must be installed to prevent roof water from flowing directly onto door. If the foundation areaway that you are installing the door on is not smooth and level, or does not fit the door properly, see bottom of page 3 of these instructions.

Before installing the door, verify that you have all the parts shown above and that you have the tools required for installation that are listed on page 1 of these instructions. If you are replacing an existing door, mix a small batch of concrete and patch any holes in the present concrete caused by the anchors that held the old door in place.

STEP 1: Assembling the door frame. Remove side panels, header panel and sill from carton. Stand up side pieces and connect header panel to each side piece with #10 x 1" drive screws as shown in **Figure 1**. Next, connect the aluminum door sill piece to each side piece with ¼-20 x 1" pan head screws, ½" O.D. X ⅛" nylon spacers, and ⅞" O.D. steel washers as shown in **Figure 2**.

STEP 2: Anchoring the door frame to the house and areaway foundation.

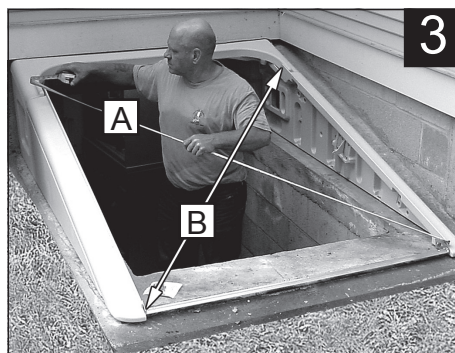
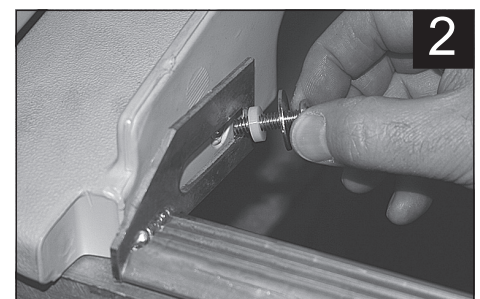
Move assembled door frame into place on foundation areaway. Make sure that vertical edge of side pieces are flush against the house. For replacement applications, siding may need to be removed and replaced to position door frame properly. Place a level against side piece and check plumb. Square door by measuring diagonals as shown in **Figure 3**, shifting frame as required until measurements **A** and **B** are equal. **Note: The Distance across the opening (between anchor holes in side pieces) should be no less than 53½" on center for proper basement door operation.**

Mark all anchor hole locations on foundation areaway and wall with pencil or marker. Remove frame from areaway and drill all anchor holes using ⅝" carbide tip masonry bit as shown in **Figure 4**. Once all anchor holes are drilled, insert plastic anchors into all anchor holes flush with concrete and reposition frame on areaway. Anchor side pieces to areaway foundation and foundation wall using #12 x 1½" slotted hex head screws, ½" O.D. X ¼" nylon spacers, and ⅞" O.D. steel washers as shown in **Figure 5** on next page. Anchor Sill to areaway foundation using (3) #10 x 1½" flat head screws.

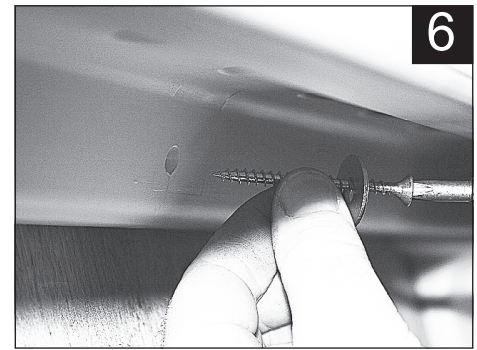
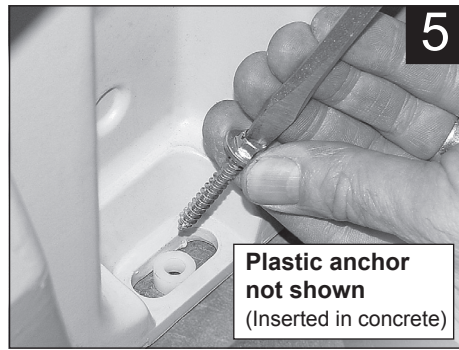
Finish anchoring frame by securing header panel to house using (4) #10 x 2½" deck screws as shown in **Figure 6** on next page. Note: Indents are provided in header panel to show proper screw location. Make sure header panel is level before securing. When the frame is fully anchored, caulk all around the exterior of the frame where it meets the masonry with polyurethane caulk (opaque).

STEP 3: Install Door Panels on Frame

Note: Because of the size of the doors, it may require two people to attach the door panels to the door frame.

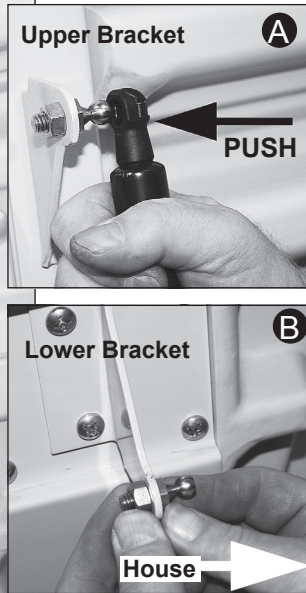
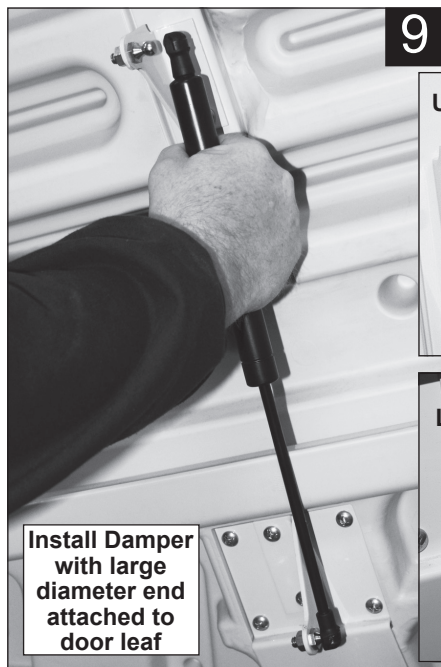


Starting with either door panel, position panel on side piece so that the door is in the closed position. Note: there are (8) hinge mounting holes in each door panel, (4) for each hinge. Start by attaching the top hinge to the door panel with (1) ¼-20 x 1" pan head screw, hand-tighten about half way. Position bottom hinge on cover panel and hand tighten all four mounting screws. Insert remaining three screws into top hinge and hand tighten. Once all eight hinge attachment screws are in place, tighten securely with a screwdriver as shown in **Figure 8**.



STEP 4: Motion damper installation

Starting with either door leaf, attach ball stud fasteners to upper and lower mounting brackets as shown in **Figure 9**. Ball or round portion of fastener should be facing towards the house as shown on both brackets. Secure nuts to ball studs using a ½" wrench. Attach end of damper to lower mounting bracket located on side panel. This is done by simply pushing the damper onto the ball stud until it snaps into place as shown in **Figure 9A**. Attach other end of damper to bracket to upper bracket located on door leaf. Note: You may need to push down slightly on the damper to align it with the ball stud. Repeat damper installation instructions on other door leaf.

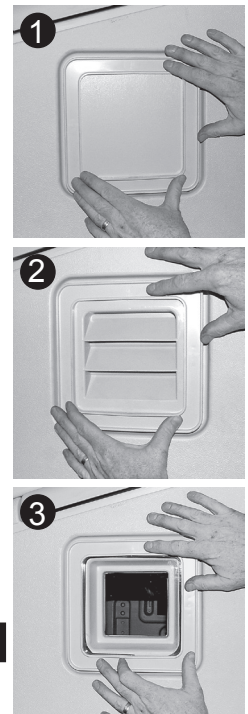


STEP 5: Install side panel inserts

The Bilco Ultra Series basement door is supplied with interchangeable side panel inserts. Inserts allow you to add light and/or ventilation to your basement areaway. A description of insert options is provided below and complete installation instructions are supplied in the insert kit.

1. **Solid Panel Insert**
Used when light and ventilation are not required in areaway.
2. **Vent Panel Insert ***
Adds ventilation and fresh air to basements and areaways.
3. **Clear Panel Insert**
Adds light to dark basement areaways to facilitate easier access.

* Factory installed



IMPORTANT: An interior door at the bottom of the steps is required to prevent heat loss and reduce condensation.

Painting and Maintaining your Door

DO NOT PAINT DOOR. The Bilco Ultra Series basement door is made from a corrosion resistant high-density polyethylene material that cannot be painted. The door features construction from corrosion resistant materials and is designed to be virtually maintenance free. As required, the door can be cleaned using non-abrasive household cleaners. Occasional lubrication of all moving parts with a standard spray lubricant is recommended.

Replacing a door where new concrete capping is required

For installations requiring a new concrete cap, start by removing the top 3" to 4" of deteriorated masonry to permit the pouring of the cap without increasing the height of the present top step. Build a simple wood form as shown in **Figure 10** on the next page, ensuring that the form is level and square. The top of the new concrete capping should be a little higher than the surrounding grade (a height of at least 4" is desirable). Assemble door frame per STEP 1 on page 2 of these instructions. Move the assembled frame into place over capping form as shown in **Figure 11** on next page, positioning it exactly as the door will be when the capping is poured. This is done by blocking up the frame temporarily so bottom of side pieces are at the same height as the top of the inside form board. **Note: All parts of the Bilco basement door must rest on top of the concrete capping and must not be buried in it.** The siding above the door may need to be removed and replaced to position door flush against the house. Place a level against each side piece and check plumb. Square door by measuring diagonals and shifting frame as required. With the door frame in place, insert #12 x 1½" slotted hex head screws with washers and spacers into anchor slots as shown in inset on right in **Figure 11**. Attach two spring nuts to each of the screws as shown. Attach door panels to assembled frame

by following STEP 3 of door assembly instructions on pages 2 and 3. **Important: Do not install motion dampers at this time.** Pour capping and close doors to recheck alignment. Be sure capping is level to prevent water accumulation around base of door frame. After concrete hardens remove forms and tighten all anchor screws. Complete installation by following STEPS 3-5 of door assembly instructions. **Caulk all around the exterior of the frame where it meets the masonry and at the seams between the new capping and foundation walls with exterior grade polyurethane caulk (opaque).**

Replacing a door on sloping masonry side walls

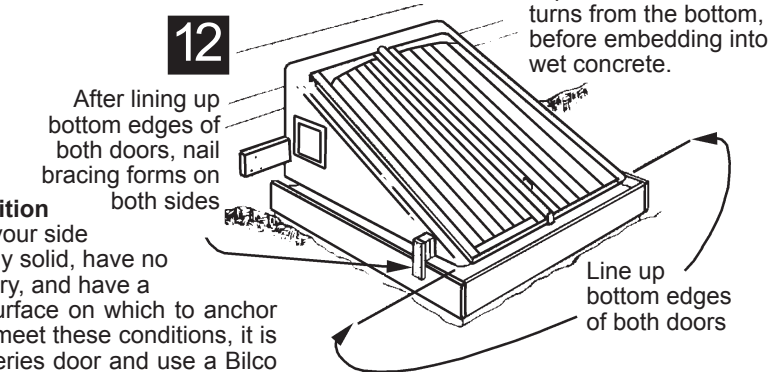
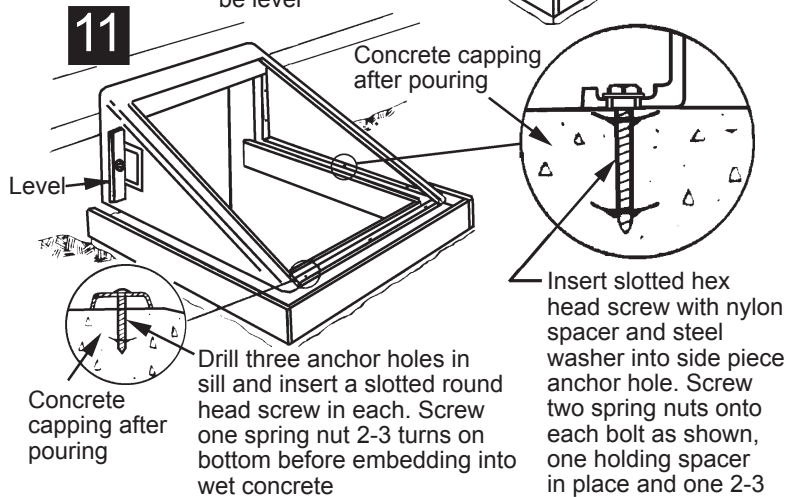
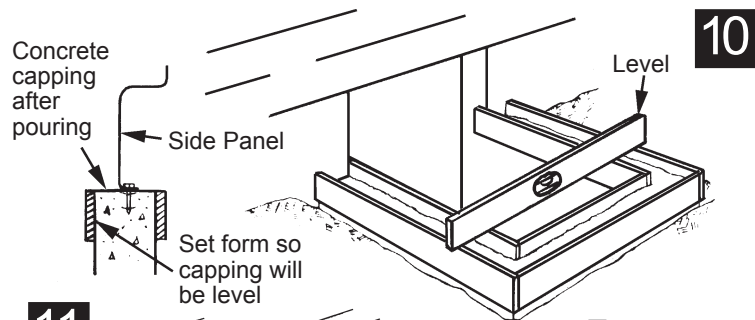
Side walls in poor condition

If your areaway has sloped masonry side walls that have loose or crumbling masonry and are not structurally sound, they can be removed and an Ultra Series door can be installed on the new flat areaway. Remove and discard existing basement door. If sloping masonry side walls are of stone, brick, block, or poured concrete, they can usually be removed by striking them with a sledge hammer (see photo above). Be sure to wear safety goggles. Once side walls are removed and debris has been cleared, follow the above section (Replacing a door where new concrete capping is required) to cap your areaway and install your new door.



Side walls in good condition

Door can be installed on your side walls if they are structurally solid, have no loose or crumbling masonry, and have a uniformly flat and level surface on which to anchor a door. If your side walls meet these conditions, it is best to return the Ultra Series door and use a Bilco Sloped Wall Basement Door. The SLW Door (shown on left) will simplify your installation by capping over your existing side walls. Note: the SLW door is only available in prime painted steel construction.



How to correct installation errors or repair minor damage*

Door not shedding water

If your Bilco basement door does not shed water, look for and correct these installation errors.

- Doors do not fully close.** Stand on steps and slowly close each door to see if the bottom edge of one or both is binding on the concrete. Chip away or rub down excess concrete with mason's stone so flange is not obstructed.
- Masonry not high enough.** The masonry under the Bilco basement door should be 4" higher than the surrounding grade and concrete should be level so water cannot accumulate in front of the sill.
- Water seeping between sides and masonry.** The unit should be caulked all around the exterior where the sides and masonry meet, as well as where the unit joins the building wall. If side pieces have been buried in concrete, the unit should be removed and stairwell recapped so assembly rests on top.
- Blocked header.** Make certain header is clear. Any blockage in this channel will cause water to overflow the header.

Doors Out of Alignment or Doors Not Seated Properly

If doors do not seat themselves properly or bounce slightly when in closed position, and bottom flanges of doors are not obstructed by concrete in front of sill, loosen all fasteners on hinge and upper and lower motion damper brackets. Close both door leaves until properly aligned and lying flat on the side panels. Slowly retighten all fasteners, alternating between locations, until all are fully tightened.

**The Bilco basement door is carefully and adequately packed to withstand all normal shipping abuse. This information is provided to show how easily minor repairs can be made, thus saving the builder or homeowner much unnecessary inconvenience. For additional information or assistance, please contact our customer service department at (800) 854-9724 (Mon- Fri).*