

# Scalloped and Square Exterior Dentil

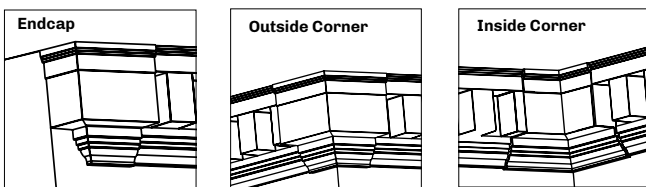
Your home's style will determine which of the three (3) exterior dentil installation approaches are best. Installation always proceeds left to right. Installation approaches will also vary based on temperature. See table below.

**BOX CONTAINS:**

(8) pieces of dentil in original or scalloped style, (24) screw covers and (24) screws.

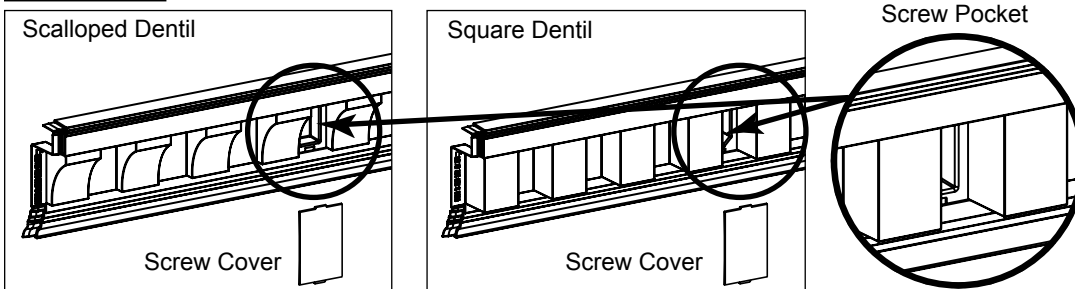
**REQUIRED FOR INSTALLATION:**

Electric drill and saw.



Installation Temperature - Spacing	
85° or greater	1/8"
40° - 84°	3/16"
40° or below	1/4"

**Figure A**

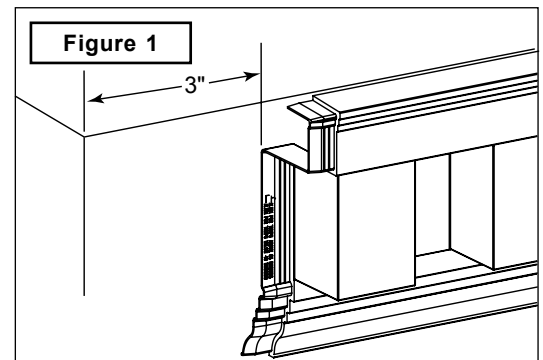


**STEP 1**

The starting point will depend on which corner is used. Step 1A should be used when starting on an endcap or inside corner. Use Step 1B when starting on an outside corner.

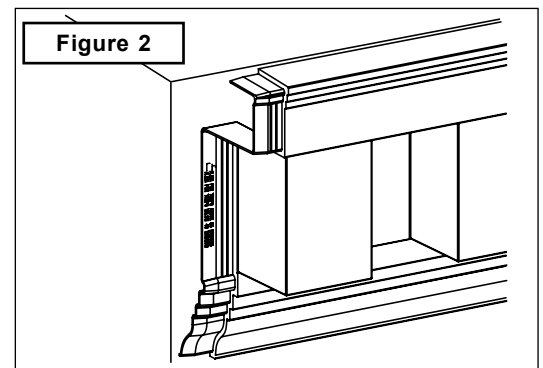
**STEP 1A**

An endcap is used when exterior dentil will be terminated. An inside corner is used when the exterior dentil is continued into a 90° corner. Starting at the point where the Dentil will be terminated or carried to an inside corner, measure back 3", placing a mark on the wall. See Figure 1. Place exterior dentil at this mark and secure it in place by screwing into the screw pockets in the dentil. See Figure A. The Dentil must have room to expand and contract with temperature changes. Be careful not to screw the dentil in too tightly.



**STEP 1B**

An outside corner is used when exterior dentil is continued around a 90° corner. Place the exterior dentil at a position flush with the corner of house. Secure dentil in place by screwing into the screw pockets in the dentil. Because the dentil must expand and contract with temperature changes, be careful not to screw the dentil in too tightly. See Figure 2.

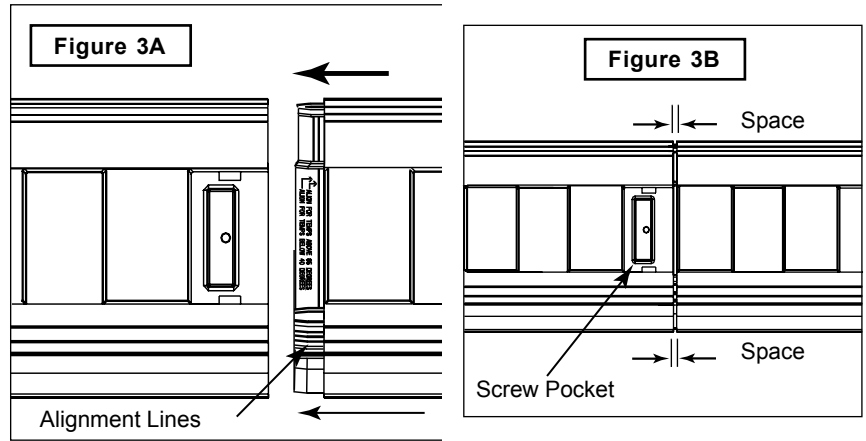


# Scalloped and Square Exterior Dentil, Continued

## STEP 2

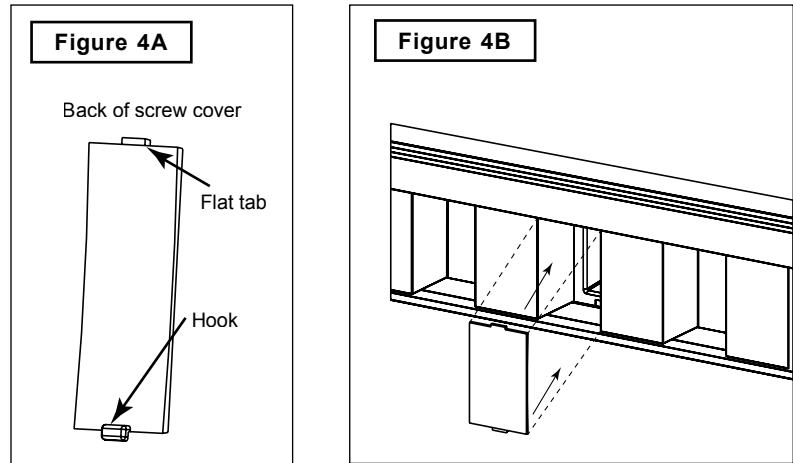
Once you've established a starting place, slide the second piece of dentil in place. Two (2) alignment lines can be found on the Dentil's left end. See Figure 3A.

Continue installation by sliding dentil from left to right, leaving the appropriate space in between. Secure by screwing into the screw pocket of the dentil. See Figure 3B.



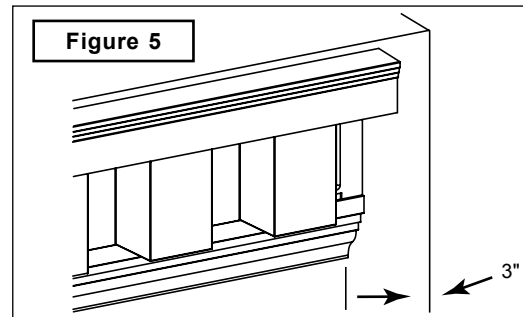
## STEP 3

As each section of dentil is secured in place, install screw covers. First, place the hook into bottom of dentil screw pocket. Next, push the flat tab into the top of screw pocket until it is securely locked into place. See Figure 4A and 4B.



## STEP 4

At end of each wall, it may be necessary to cut the dentil. When cutting exterior dentil, measure and cut from the right side. When terminating with an endcap, make sure the dentil ends 3" from the end of the wall. See Figure 5.



## STEP 5

When using a cut segment of dentil to continue an inside or outside corner, you may have to trim that segment. See Figure 6. Cutting the dentil at this 1/2" dimension will eliminate need for later modifications of the corner.

