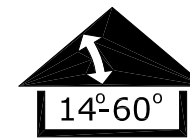


# General Notes

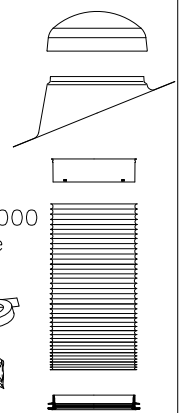
1. This drawing emphasizes the TMF pitched flashing VELUX SUN TUNNEL Skylight. It illustrates a general arrangement layout (plus recommendations) for a VELUX TMF installation in a 14–60 degree roof pitch application utilizing either a suspended acoustical tile or grid ceiling installation.
2. The architectural/structural design and specifications for the inclusion of a tubular daylighting device, such as the VELUX TMF, in any roofing/ceiling application is determined and provided by others. The design criteria includes, but is not limited to design loads, structural configurations, structural framing member sizes and material, architectural finishes and integration with the roofing/ceiling systems of the building. VELUX assumes no responsibility or liability in the design, construction and performance of a building structure by others.
3. Dimensions shown are nominal, unless indicated otherwise.
4. TMF 010 0000 nominal diameter is 10". TMF 014 0000 nominal diameter is 14".
5. Ceiling rough opening cut for 010 = 10 $\frac{3}{4}$ ", 014 = 14 $\frac{3}{4}$ ".
6. Minimum 1 1/4" clearance required around ceiling rough opening, to fit trim ring.



# TMF Components

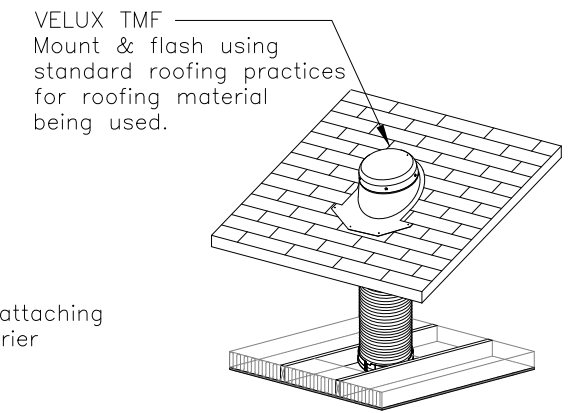
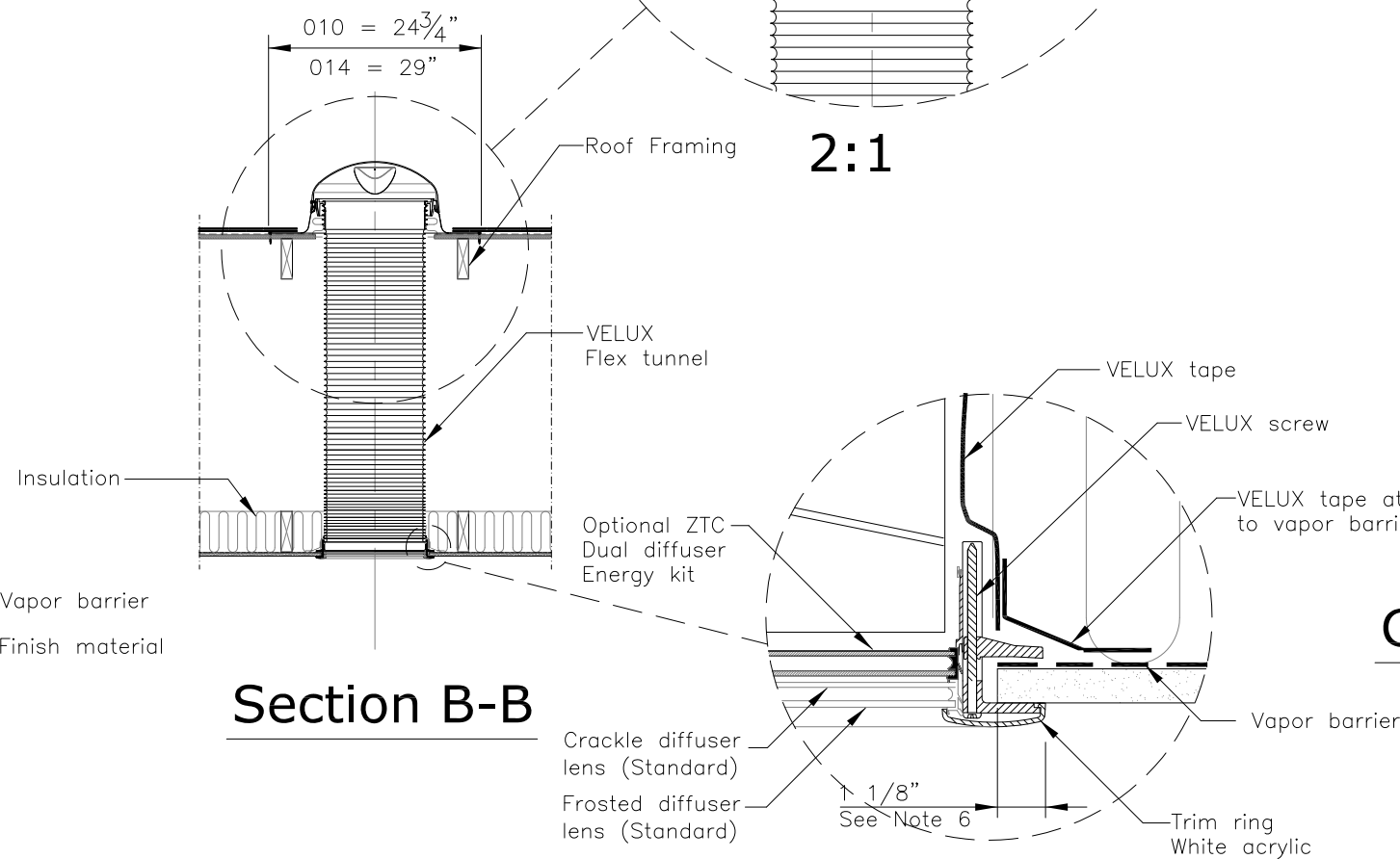
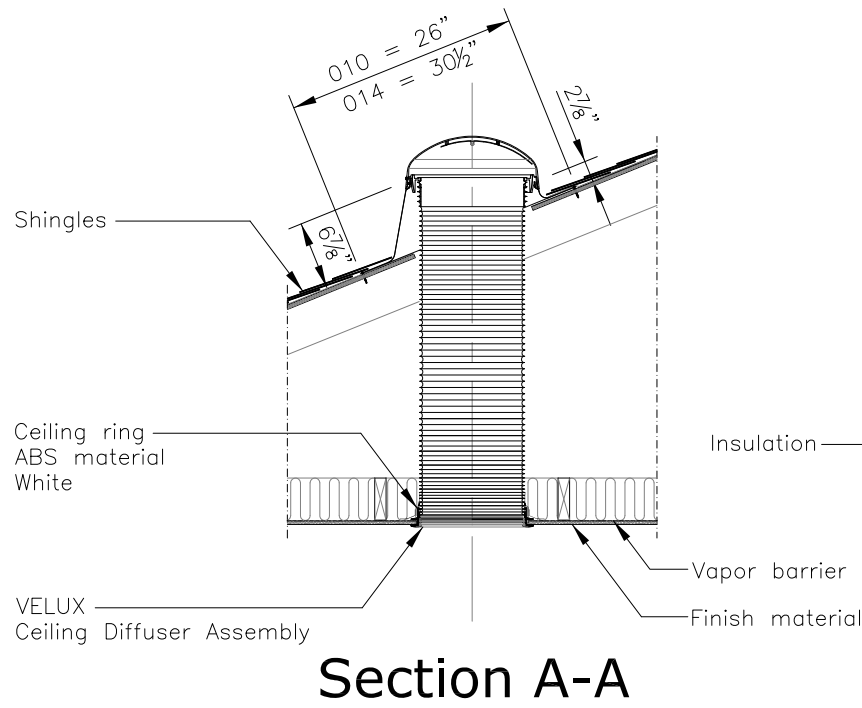
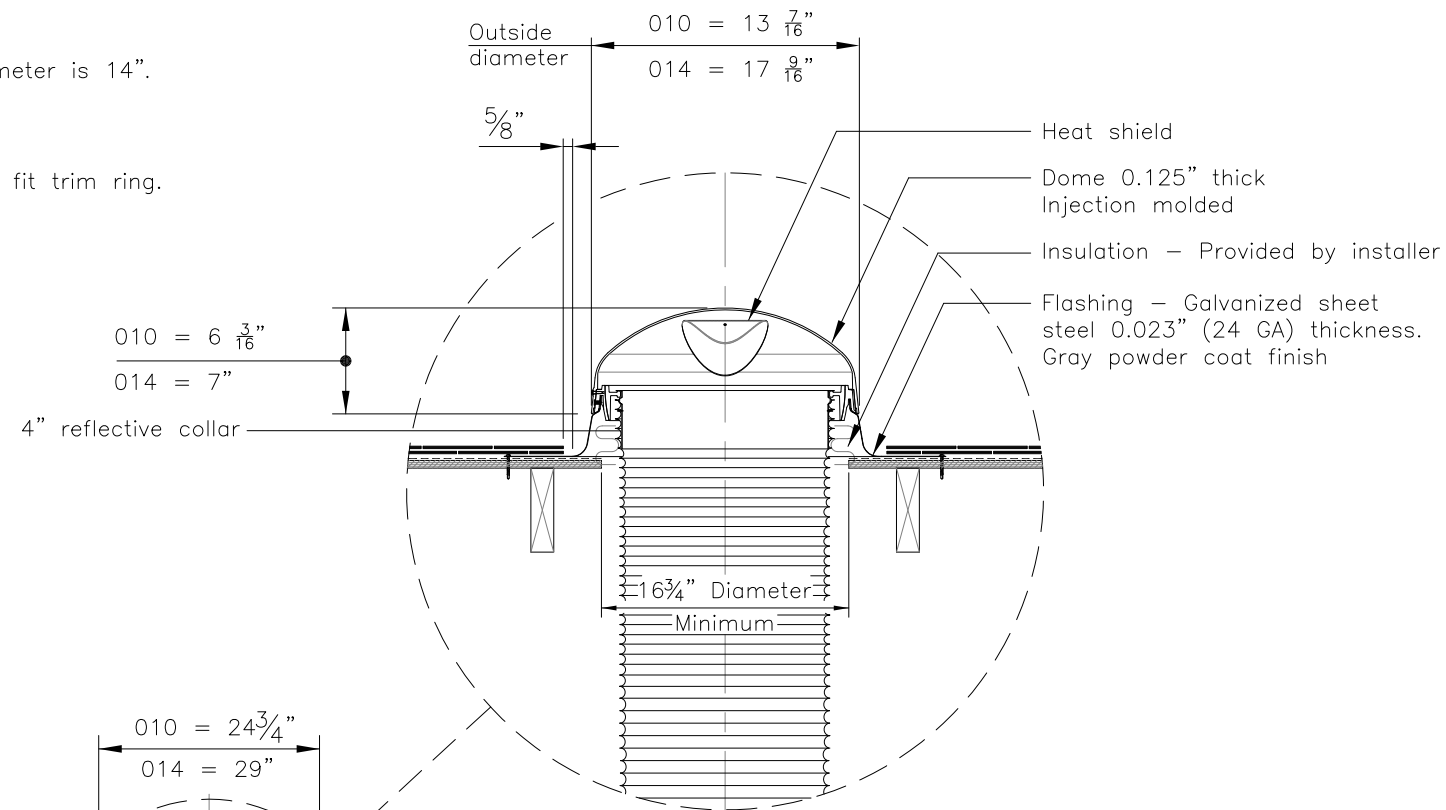
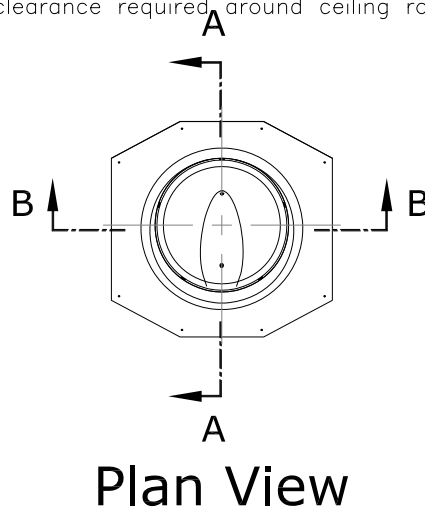
## TMF 014 0000/TMF 010 0000

- Acrylic Dome
  - Counter flashing assembly
  - Top collar (4"/.10m)
  - 8'/2.44m Flex tunnel
  - Tape for tunnel joints
  - Hardware bag
- 
- Option  
TMF 014 1000/TMF 010 1000  
Impact Polycarbonate dome
  - Ceiling ring assembly with crackle over frosted diffuser
  - Gasket material for diffuser
  - Hardware bag
- 
- Options
    - ZTC 014 0002US—Prismatic diffuser
    - ZTC 014 0003US—Fresnel diffuser



## Option: ZTC 014/ZTC 010 0041US Energy kit

- Residential energy kit (Heat shield & quad diffuser)





Sky-Global Product Management

VELUX  
1418 Evans Pond Road  
Greenwood, SC 29649  
1-800-88-VELUX  
www.VELUXUSA.com

TMF - Residential SUN TUNNEL

This drawing is an instrument of service and is provided for informational use only.