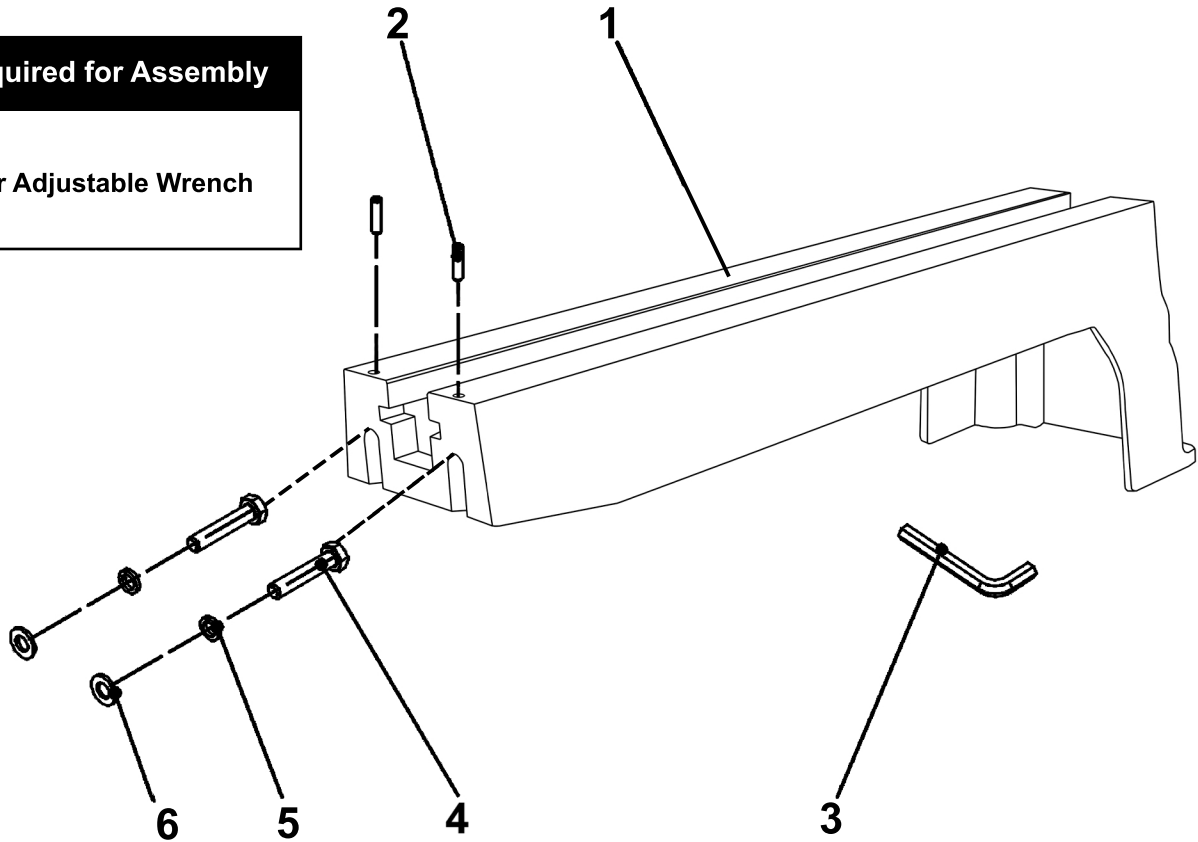


MINI LATHE BED EXTENSION

Tools Required for Assembly

* 17mm or Adjustable Wrench



KEY NO.	DESCRIPTION	QTY.	MFG. PART NO.
1	Lathe Bed Extension	1	P1-JL93060012-049
2	Socket Head Cap Screw - M6x25	2	P1-M6X25GB80B
3	Socket Head Wrench - 3mm	1	P1-WRN3GB5356B
4	Hexagon Bolt - M10x50	2	P1-M10X50GB5781B
5	Lock Washer - M10	2	P1-WSH10GB93B
6	Flat Washer - M10	2	P1-WSH10GB97D1B



California Prop 65 Warning

WARNING: This product contains chemicals known to the State of California to cause cancer and birth defects or other reproductive harm.

To Install:

Thread the two bolts (Part #4) along with the two lock washers (Part #5) and two flat washers (Part #6) into the two holes at the end of the lathe. Lay the bed extension onto the two bolts. Hand tighten the two bolts and level the bed extension to the lathe bed by using a straight edge and the two 6MM hex screws (Part #2) set into the top of the bed casting.

Align the bed rails (Left or Right) by using a straight edge inside the bed channel. This ensures that the tailstock will float freely without jamming. Tighten the two bolts after the bed extension is level with the lathe.