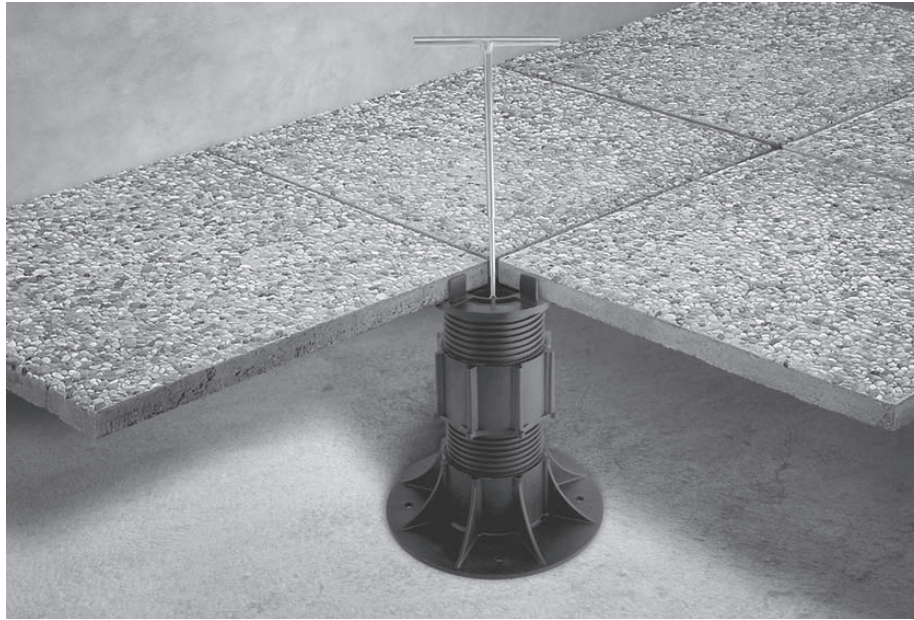


“eterno”



Adjustable Paver Supports

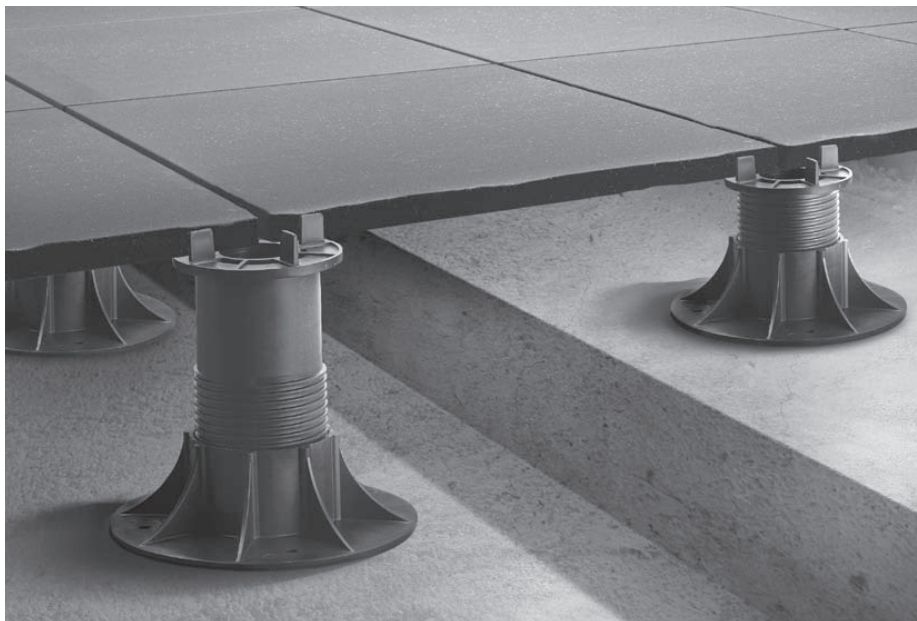
E t e r n o b e n e f i t s



Eterno benefits.

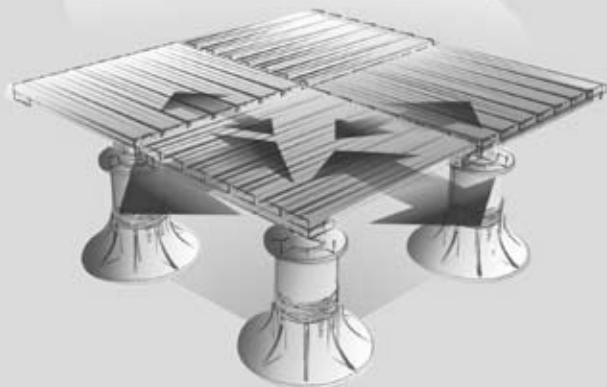
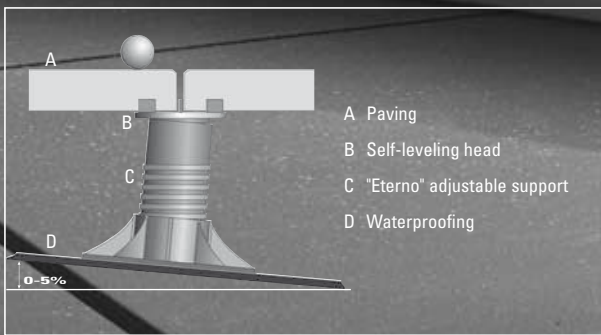
You can see just how practical laying a floor with "Eterno" supports is, simply resting them on top of the waterproofing membrane or any other surface due to be paved. Following an initial rough adjustment, laying the chosen paving is made easier by the self-leveling head, which helps compensate differences in level. The adjustment key is then used to complete the installation with precise accuracy.

Unique Adjustment Key for adjusting Paver Support without removing Paver.

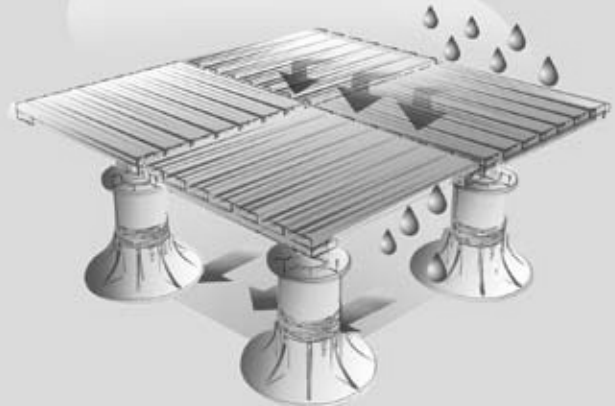


The floating paving system for exterior use provides a permanent solution to infiltration trouble, a problem encountered all too often on terraces paved with glue-on tiles. The new system is based on a wide range of special fixed or adjustable height supports, which are placed on top of the waterproofing layer, and the paving in turn laid on top of the supports. If the waterproofing layer needs work, the paving can thus be easily removed and laid again.

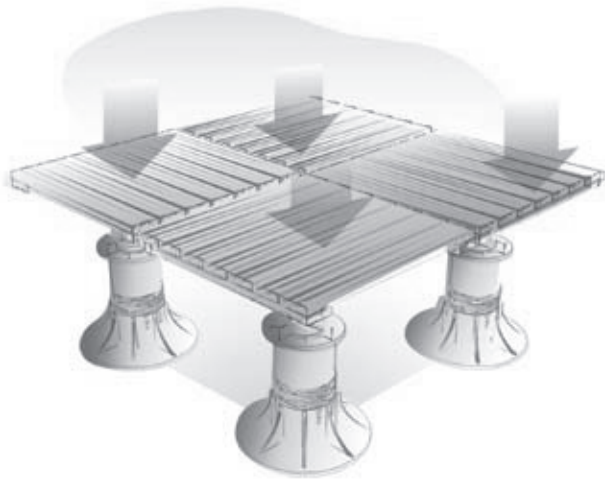
With the Eterno support, covered by an international patent, you can automatically compensate gradients of up to 5% and produce perfectly stable paving thanks to the self-leveling head and the fact that adjustment can be carried out with the paving finished.



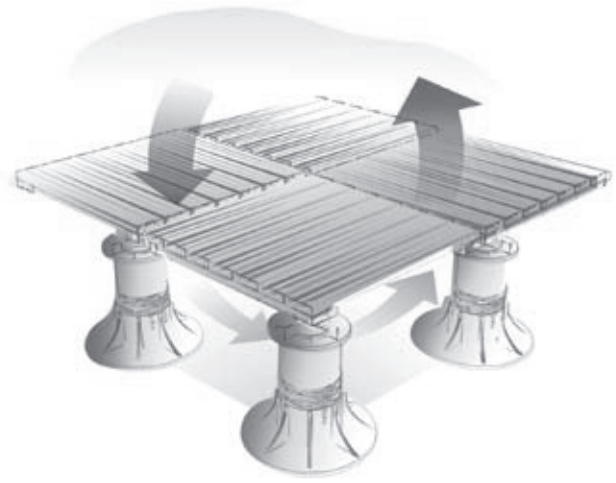
Being independent, the paving and supports can absorb expansion and structural movements.



The small gap between one slab and another allows water to drain away quickly.



With no need for cement screed, the floating system means there is considerably less weight borne by the building's structure, and costs are a lot lower.



The void between the paving and membrane underneath encourages constant air circulation, lengthening the life of the waterproofing and improving heat insulation.

The void between the paving and membrane underneath can be used to accommodate pipes and systems, which are thus concealed yet, at the same time, can be inspected easily enough.

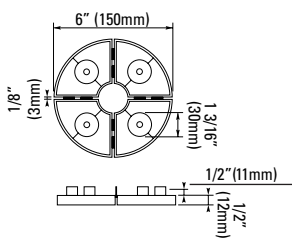




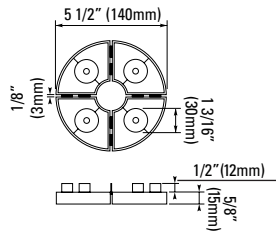
Comprehensive Range

COMPREHENSIVE RANGE

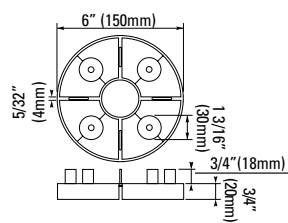
Eterno offers a truly comprehensive range of fixed-height supports. The EH12 support, version with 3/8" (10mm) high tabs, can be used when laying suitable glazed stoneware tiles featuring the same thickness, at least 3/8" (10mm) EH12, Eh15 and Eh20 supports, measuring 1/2" to 3/4" (15 and 20 mm) in height respectively, can be used when laying any kind of slabs made of concrete, wood or other material. All 3 can be used with the vital LH3 LEVELING DISC or exclusive self-leveling system provided by the rocking balancers, which automatically compensate minor difference in level owing to an uneven substrate.



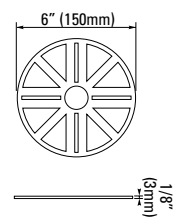
EH 12



EH 15

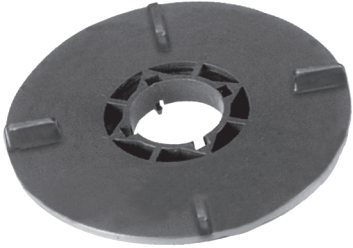


EH 20

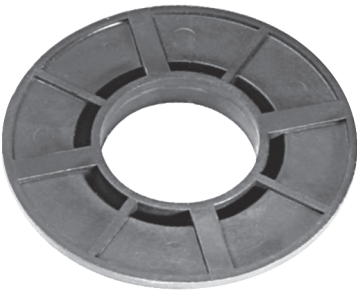


LH3 - Leveling disc

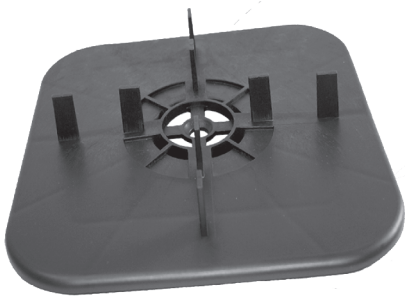
OPTIONAL NON-STOCKED HEADS*



*PlusTec fixed head with
1/16" - 5/32" (2/3/4 mm) tabs*



Self-leveling smooth head



Fixed and smooth PlusTec head

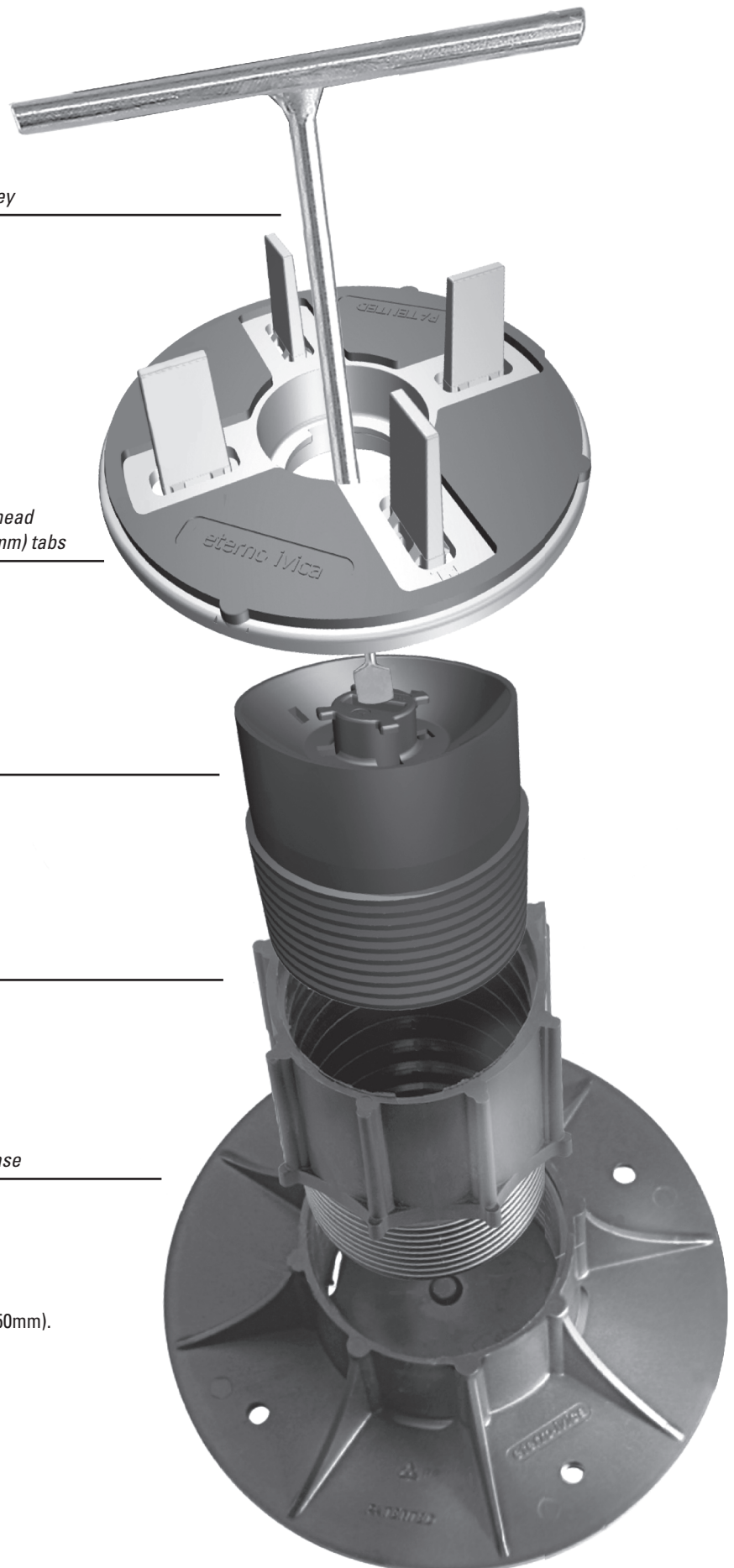
Adjustment Key

*Self-leveling head
with 5/32" (4 mm) tabs*

Screw

Extension

Supporting base



FEATURES AND COMPONENTS

- Self-leveling head that compensates gradients of up to 5%.
- Adjustable to the the inch in the range of 1.5 - 21.75 inches (35 to 550mm).
- Height adjustment with paving finished possible thanks to adjustment key.
- Supporting base 49.6 sq. inches (320 cm²)
- 100% recyclable.
- Resistant to temperatures from -22° to +248°F (-30° to +120°C).
- Resistant to acids.
- Ageing resistant and UV stable.
- Extremely easy to lay.
- Protected by international patent.

Measurements of Eterno adjustable support.



LGH2 - LGH3 - Leveling Shim 1/16" or 1/8" (2 or 3 mm thick)



Adjustment key

SE 1



1.5" / 2"
(37.5 / 50 mm)

SE 2



2" / 3"
(50 / 75 mm)

SE 3



3" / 4.75"
(75 / 120 mm)

SE 4



4.75" / 6.75"
(120 / 170 mm)

SE 5



6.75" / 8.5"
170 / 215 mm

SE 6



5.5" / 9"
140 / 230 mm

SE 7



7.25" / 10.75"
185 / 275 mm

SE 8



9.25" / 12.75"
235 / 325 mm

SE 9



8" / 13.5"
205 / 345 mm

SE 10



9.875" / 15"
(250 / 385 mm)

SE 11



11.75" / 15.75"
(300 / 400 mm)

SE 12



10.5" / 18"
(270 / 455 mm)

SE 13



12.4" / 19.75"
(315 / 500 mm)

SE 14



14.25" / 21.75"
(365 / 550 mm)

Laying Eterno paving supports

Depending on what we have to lay on the paving supports, different types of heads are required.

1) CONCRETE TILES

With concrete tiles, self leveling head with 4 tabs has to be used. The adjustable paving support Eterno provided with this exclusive self-leveling head, immediately and automatically compensates any gradient or difference in level up to 5% present on the surface producing a perfectly stable floating paving. Moreover its innovative regulation key allows the adjustment in height of each paving support even once all paving tiles are already on.



ALONG THE WALL

If applied along a wall, only two of the tabs of self leveling head must be removed.

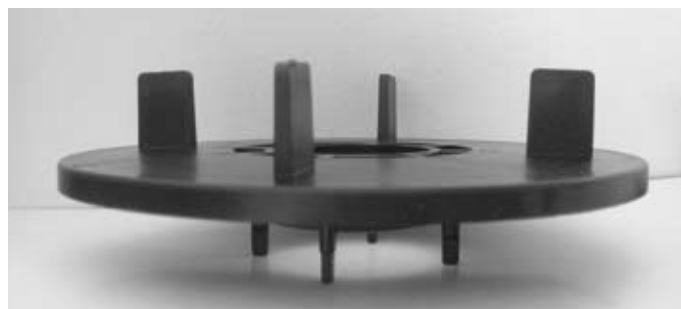
IMPORTANT: in the event of a support being placed at a corner, it will be necessary to remove all four spreader fins as shown in the application example.

*** Unique Adjustment Key for adjusting paver support without removing paver**



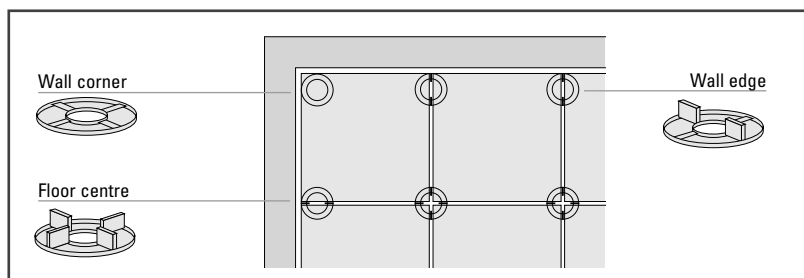
2) WOOD TILES

With wood tiles application, we recommend to use Eterno paving supports with Plus-Tech fixed head. This type of head is very large and fixed, and this assures a complete stability of the wood tiles.



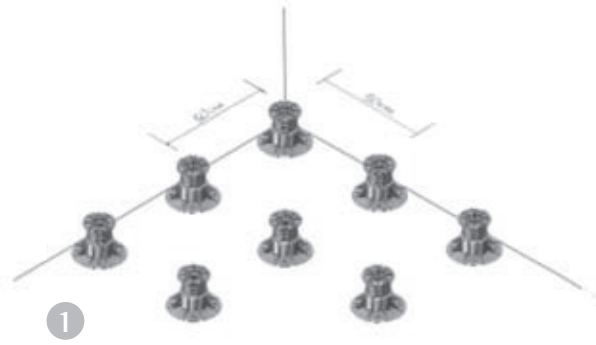
LGH2 - LGH3
Leveling Shim 1/16" or 1/8" (2 or 3 mm) thick

Antislip and antinoise rubber shim, for both self-leveling and Plus-Tec heads. Necessary in cases of need of increasing thickness in one or more areas of the pedestal.

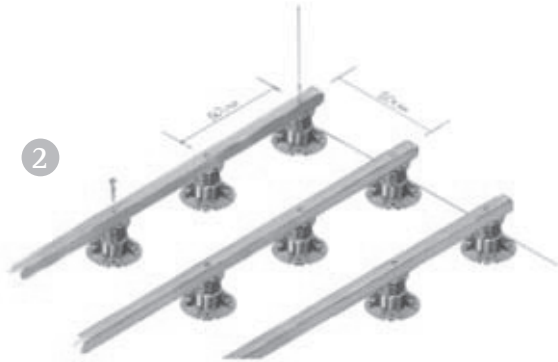


		Quantity of pedestals/m ²				
		300	400	450	500	600
Size of tiles	300	11,2	8,4	7,5	6,7	5,6
	400		6,2	5,6	5,1	4,2
	450			5,0	4,5	3,8
	500				4,1	3,4
	600					2,8

3) WOOD PLANKS INSTALLATION



1



2



3

1. Place the paving supports on the laying surface. The distance between them will depend on supporting joist and planks loading capacity: for this reason we recommend to ask the supplier of the material before choosing distance to be used. In case you decide to lay our WPC joist 2 3/8" x 1 1/2" (60x40 mm), the distance between pedestals will be maximum 1 1/2" (40 mm).

2. Place the joist on the paving supports (see picture). In case of natural wood joists, fix them by using self-perforating stainless steel screws, diam. 1/4" (6 mm): length may vary from 2 3/8" to 4 3/8" (60 to 110 mm) according to the type of joist. In case of WPC joists, any screw is not necessary: WPC Eterno pedestals are provided with a four clips-head, that allow the immediate fixing of the joist to the pedestals just by pressure. A lot of time and material is thus saved.

3. Place the planks on the joists in the opposite direction (see picture). Fix the planks using stainless steel screws or clips. Leave a 1/16" - 5/32" (2-4 mm) space between two planks for water drainage.

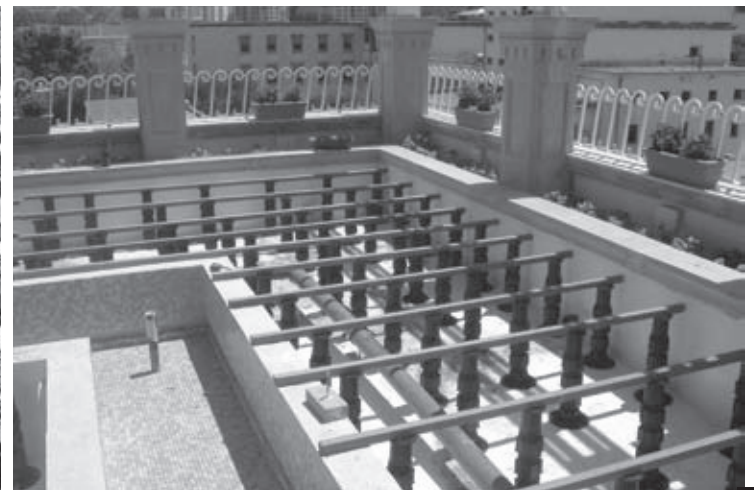
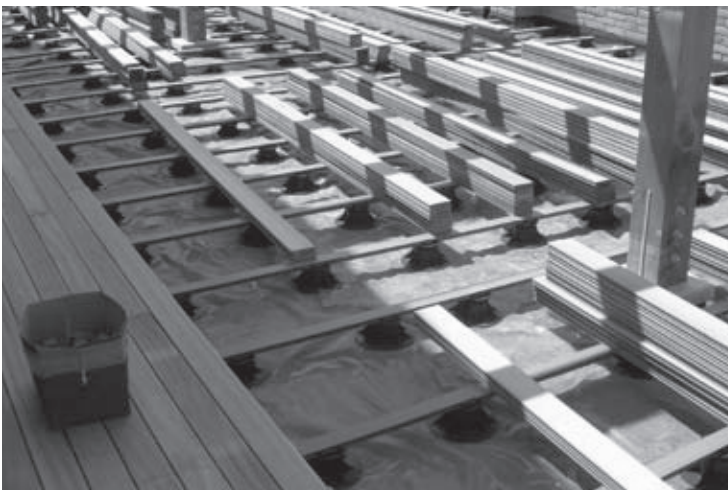
* Optional Non-Stocked Heads



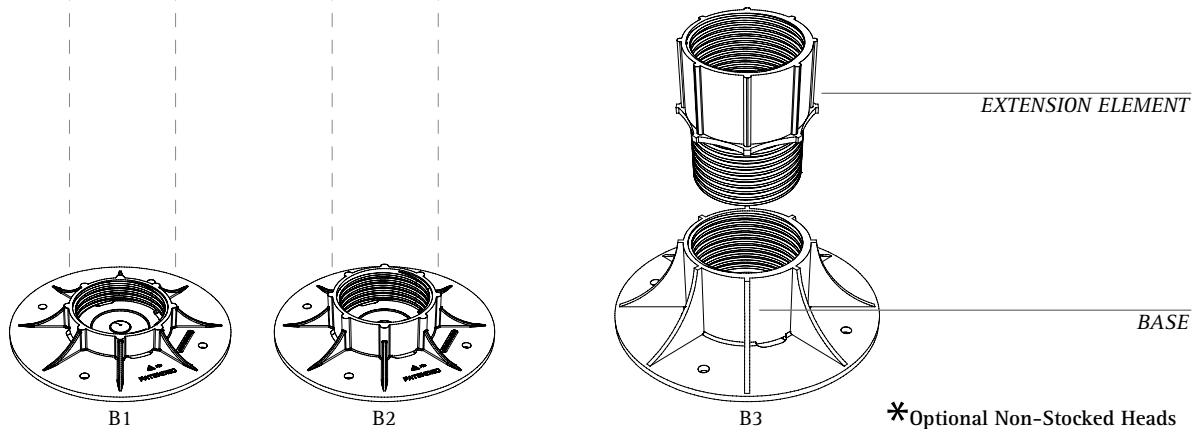
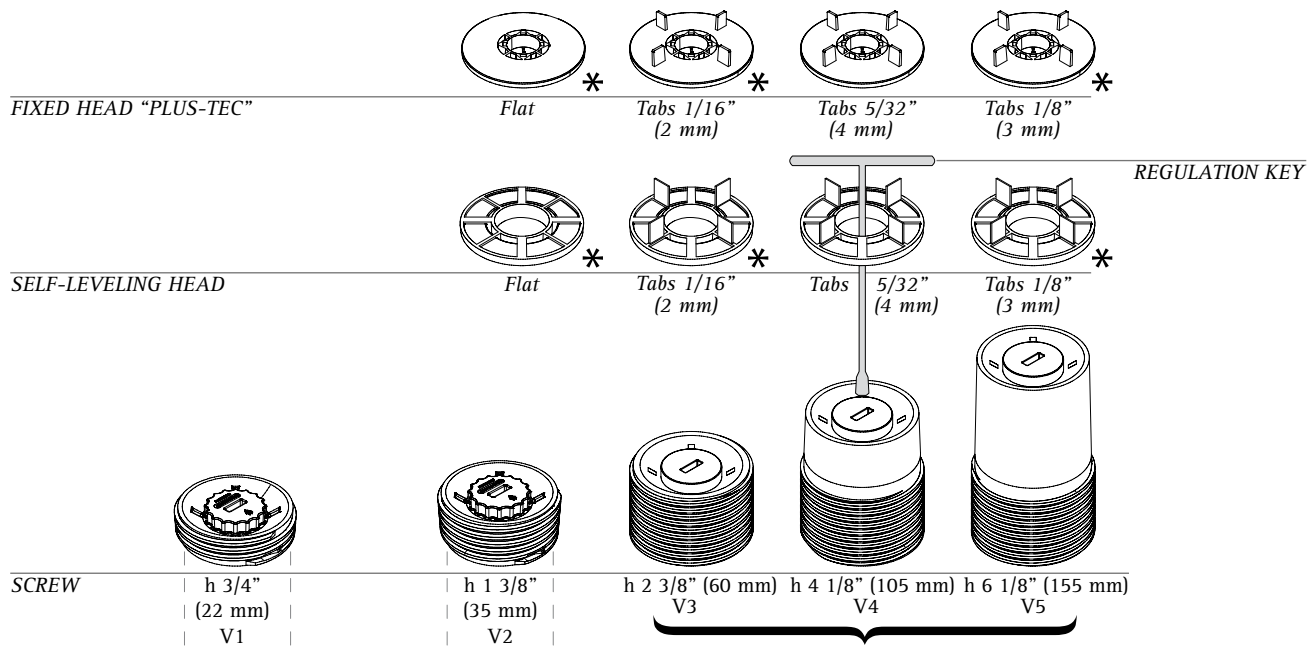
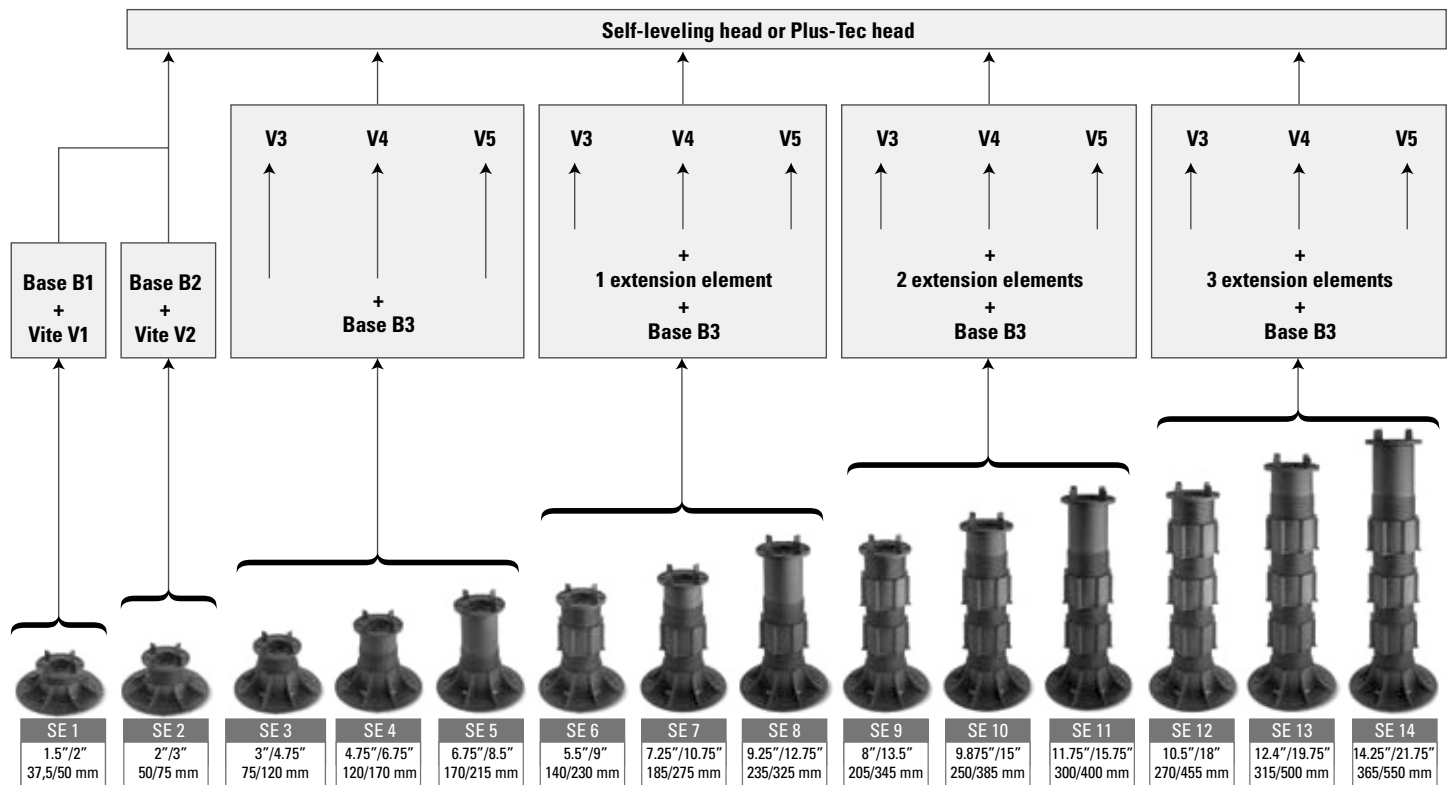
Self-leveling flat head for wood joists *



Self-leveling head for WPC joists *

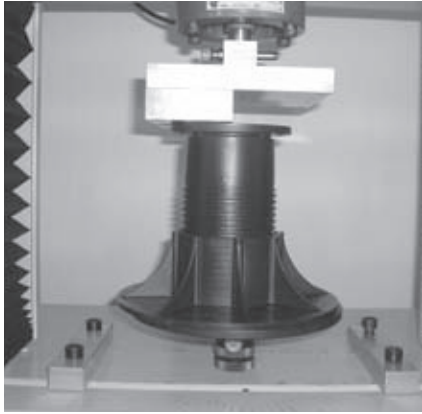


Assembling scheme of Eterno paving supports



*Optional Non-Stocked Heads

Loading tests on Eterno pedestals



Loading Test on SE4 Type with Self leveling head

Dynamometer TCS by ATS-FAAR S.p.A. Italy

Laboratory: Eterno Ivica S.r.l.
 Test Code: 25-07-2008 5
 Material: PP 20%

Test Type: Compression
 Date: 07-25-2008
 Time: 14:50:18

Load Cell: f.s. (N) 29419.95
 Speed (mm/min): 15.00
 Run Length (mm): 900

Pre-Load (N): 0.00

	Average	Test 1	Test 2	Test 3	Test 4	Test 5
Max Load (N)	11,394.89	11,167.02	10,285.45	12,540.63	12,788.34	10,193.00
Comp. Slope (%)	5%	5%	5%	5%	5%	5%

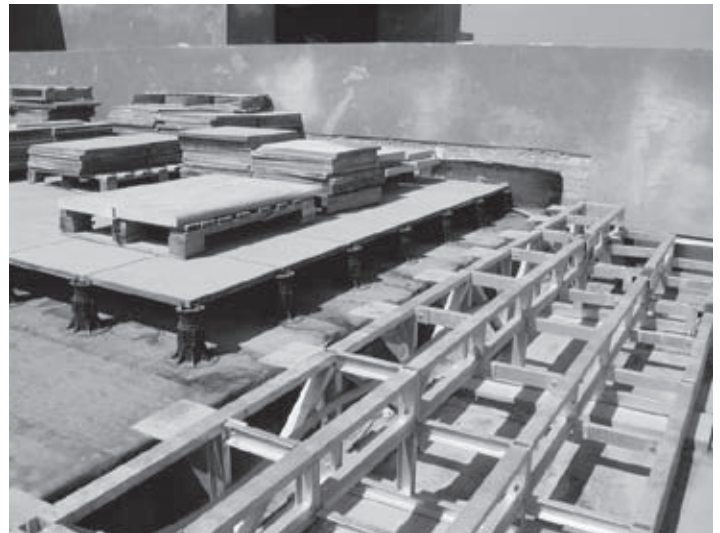
Note: 1 Kg = 9.81 N (1 lb = 4.45 N)

Loading tests on all our pedestals are available on request.

References



Private swimming pool - wood tiles on Maxi pedestals



Public area - concrete tiles on Eterno pedestals



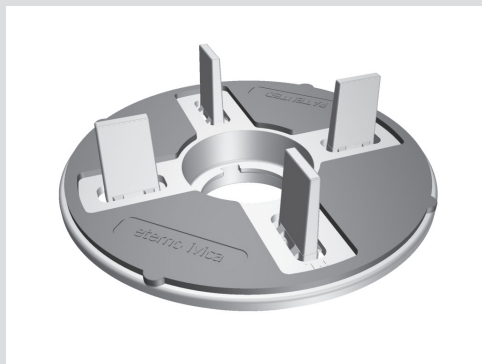
Private terrace - concrete tiles on Eterno pedestals



Residence' swimming pool - wood planks on simple paving supports



Product Innovations Coming Soon



- Self Leveling Head will be made of hard polypropylene and has a top surface bonded with soft rubber offering a non-slip and anti-noise effect.
- New Self Leveling Head spacer tabs will be designed for easy removal. The internal part of the head will be modified, a circle part of the plastic will be added with some openings to fit the new upper part of the threaded support to maintain center.
- All threaded supports (from V1 to V5) will be modified in the center for easier installation of leveling head to support.
- All units will be individually marked with part numbers to assist with creating kitted units.

3310 N Benzing Road
Orchard Park, NY 14127
Ph: 716-332-7673
Fx: 716-332-7676
Toll Free: 800-828-8424
Web: www.marathondrains.com
Email: mrp@marathondrains.com