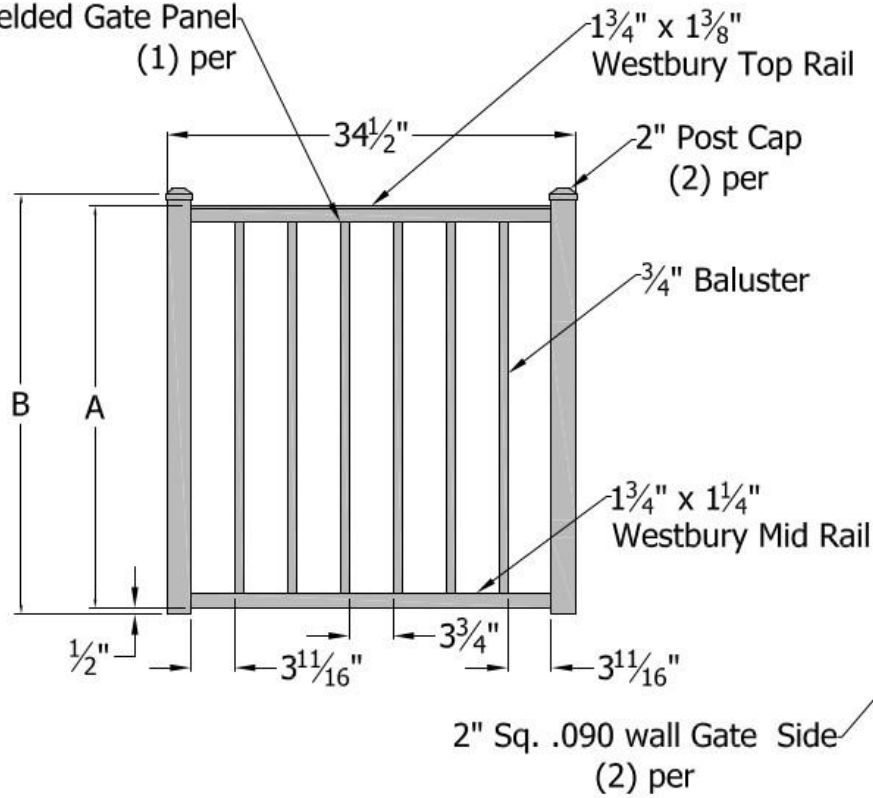


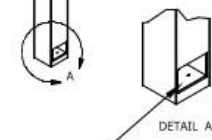
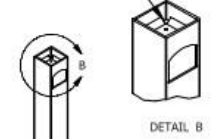
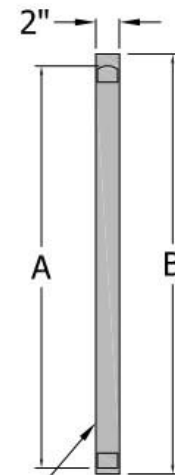
Nominal Rail Height	Baluster Style	Part #	A	B
36"	Square	70033	34"	35½"
36"	Round	72229	34"	35½"
42"	Square	70035	40"	41½"
42"	Round	72231	40"	41½"

REV	REVISION	PART NUMBER:	DATE
A	RELEASE PENDING APPROVAL		
B	Reduced bottom rail height from 1" to ½"		03/29/2016

Welded Gate Panel
(1) per



1/8" plate welded inside



1/8" plate welded inside

APPROVED BY:

DATE APPROVED:

FINISH:

DSI Digger Specialties, Inc. 3446 US 6 EAST Bremen, IN 46506

SHEET SIZE= C

SCALE = 1":1"

STANDARD TOLERANCE:
.00 ±.01 FRACTIONS:
.000 ±.005 ±1/16
ANG. ±.5°

FIRST USED ON:

DRAWN BY: CM

DATE DRAWN:
02-16-2016

LOC:
Z:\Aluminum\Westbury\C10
Tuscany/Gates

DRAFT:
20160216-1C

PART NUMBER or STYLE:
C10_C101 Gate 36in Wide

Quote requested by:

PART NAME:
Gate

SHEET
of

REV.
B

4

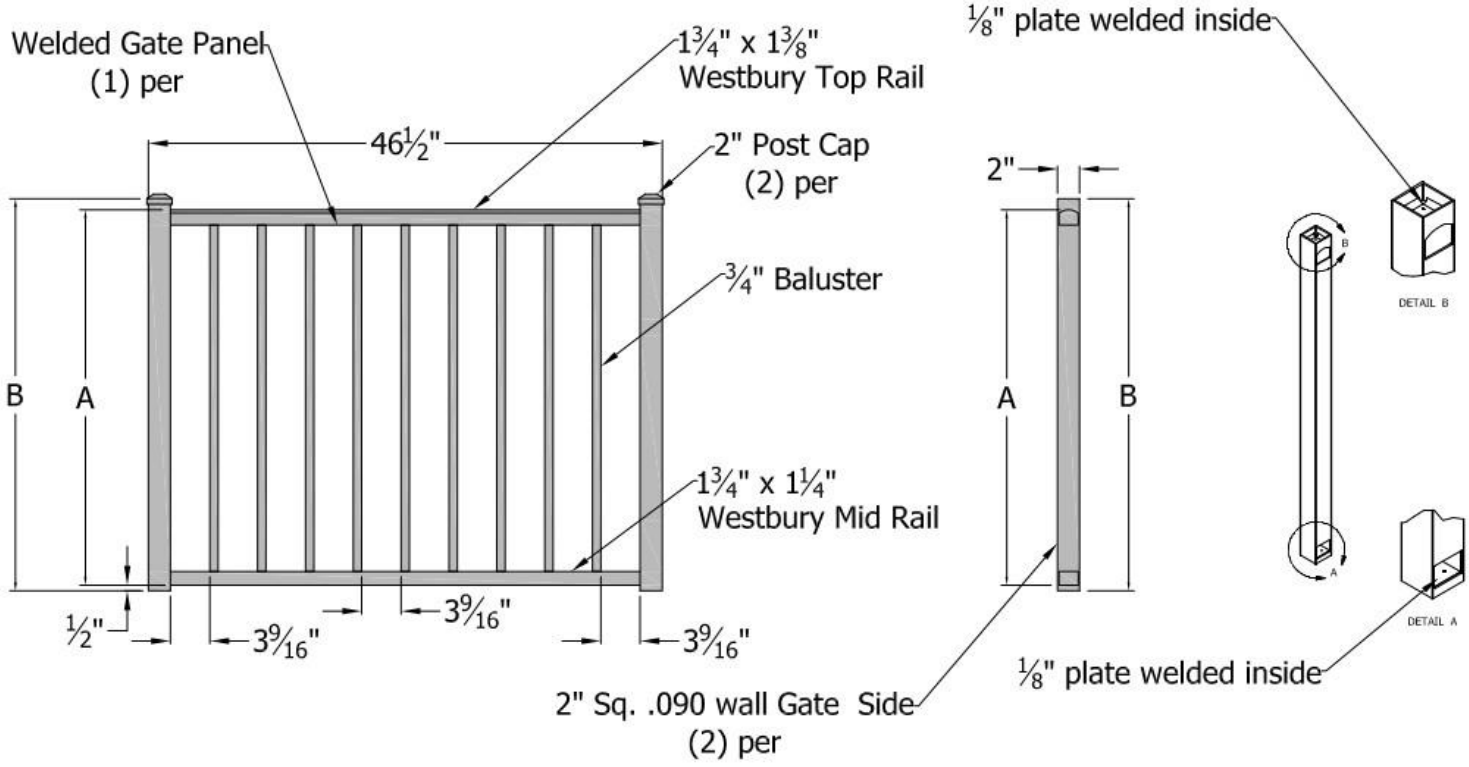
3

2

1

Nominal Rail Height	Baluster Style	Part #	A	B
36"	Square	70034	34"	35½"
36"	Round	72230	34"	35½"
42"	Square	70036	40"	41½"
42"	Round	72232	40"	41½"

PART NUMBER:		DATE
REV	REVISION	
A	RELEASE PENDING APPROVAL	
B	Reduced bottom rail height from 1" to 2"	03/29/2016



APPROVED BY:

DATE APPROVED:

FINISH:

DSI Digger Specialties, Inc. 3446 US 6 EAST Bremen, IN 46506

SHEET SIZE = C	DRAWN BY: CM	PART NUMBER or STYLE: C10_C101 Gate 48in Wide
SCALE = 1":1"	DATE DRAWN: 02-16-2016	Quote requested by:
STANDARD TOLERANCE: .00 ±.01 FRACTIONS: .000 ±.005 ±1/16 ANG. ±.5°	LOC: Z:\Aluminum\Westbury\C10 Tuscany/Gates	
FIRST USED ON:	DRAFT: 20160216-2C	PART NAME: Gate
		SHEET or REV. B