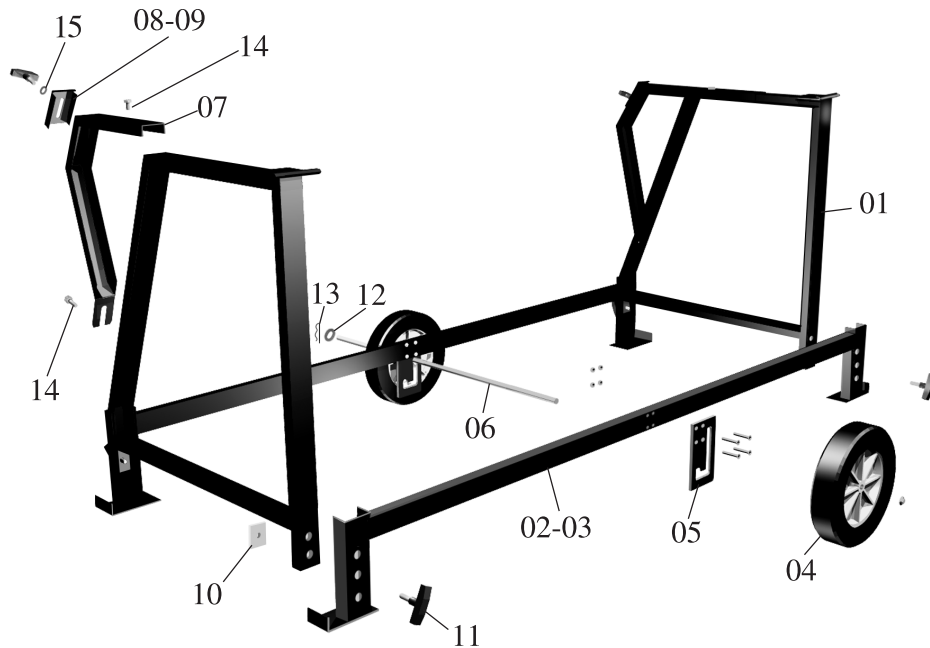
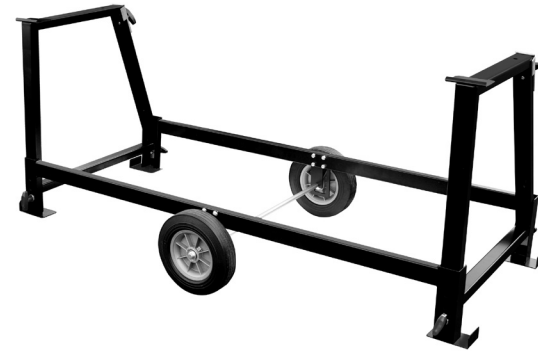


# Parts List



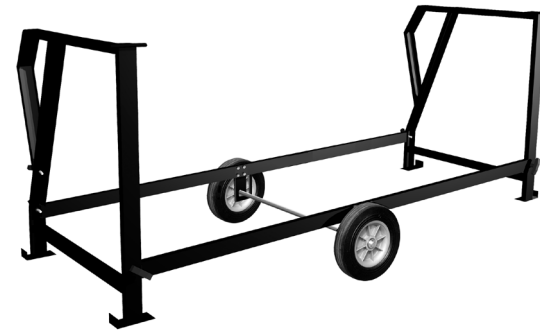
Effective 05-01-17



USA1EZ  
All 6' 6" thru 12' 6"  
TAB I, TAB II, Mark I,  
TrimMaster® & TAT50/TAT60

USA1EZXL  
Recommended For All  
14' 6" TAB I, TAB II, Mark I  
& TrimMaster®

Ref	Description	Part No	Qty. Required
01	End Assembly	5400	2
02	Cross Brace 60"	5415	2
03	Cross Brace 78" (XL)	5416	2
04	Wheel	5419	2
05	Axle Bkt.	5417	2
06	Axle	5418	1
07	Extension, EZ2	5413	2
08	Latch Plate EZ1	5403	2
09	Latch Plate EZ2	5414	2
10	Nut Plate	5420	4
11	T Knob	2036	6
12	5/8" Washer	2514	1
13	Hairpin, Cotter	2706	1
14	3/8" Hex Screw	2035	4
15	3/8" Flat Washer	2506	2



USA2EZ  
All Metal Master® 20  
Models 6' 6" thru 12' 6"

USA2EZXL  
Recommended For  
Metal Master® 20 Model 14' 6"

24145 Industrial Park Dr., Farmington Hills, MI 48335

Toll Free No. 1-800-Van Mark Toll Free Fax 1-888-Van Mark  
Phone No. 1-248-478-1200 Area Fax No. 1-248-478-1226

Web site: [www.van-mark.com](http://www.van-mark.com) E-Mail [sales@van-mark.com](mailto:sales@van-mark.com)

F636np UniStandEZ-Go User Guide.indd me/gw 042512 rev. 05052017 © 2015 Van Mark Products Corp. F636np

 **Van Mark**  
The Mark of Quality

User's Guide

