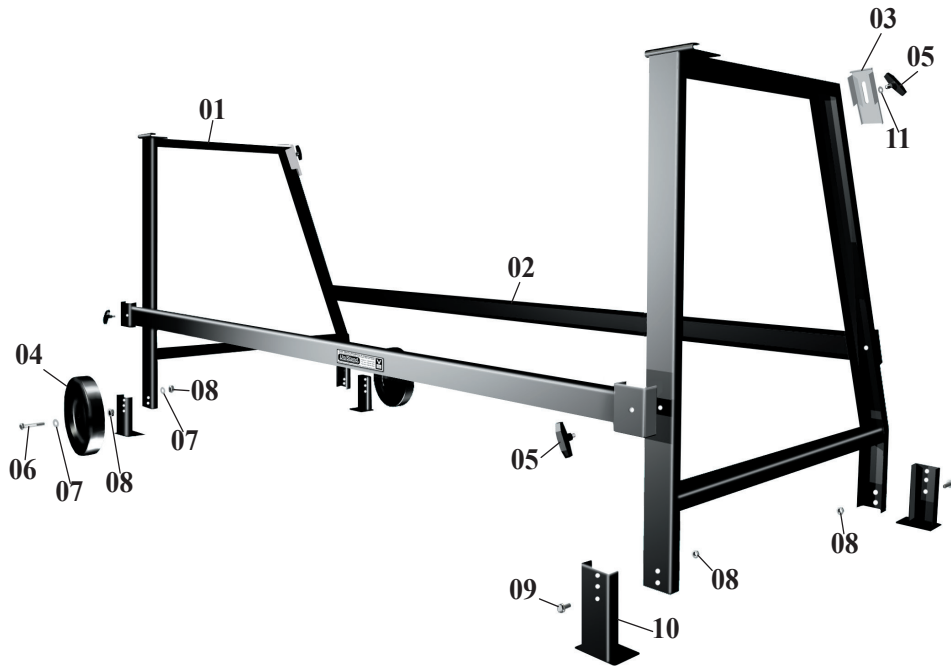


# Parts List



Ref	Description	Part No	Qty. Required
01	End Assembly	5400	2 ea
02	Cross Member	5401	2 ea
03	Latch Plate	5403	2 ea
04	Wheel	5404	2 ea
05	T Knob	2036	6 ea
06	Axle Bolt	2051	2 ea
07	Flat Washer	2509	4 ea
08	Flange Nut	2316	6 ea
09	Hex Screw	2049	4 ea
10	Leg Support	5406	4 ea
11	3/8 Flat Washer	2506	2 ea

**UniStand™**  
ADJUSTABLE

Effective 05-01-17



Model No. USA1

Patent No. 6,854,314

24145 Industrial Park Dr., Farmington Hills, MI 48335

Toll Free No. 1-800-Van Mark

Phone No. 1-248-478-1200

Toll Free Fax 1-888-Van Mark

Area Fax No. 1-248-478-1226

Web site: [www.van-mark.com](http://www.van-mark.com)

E-Mail [sales@van-mark.com](mailto:sales@van-mark.com)



**Van Mark**  
The Mark of Quality

User's Guide

# UniStand™

ADJUSTABLE

