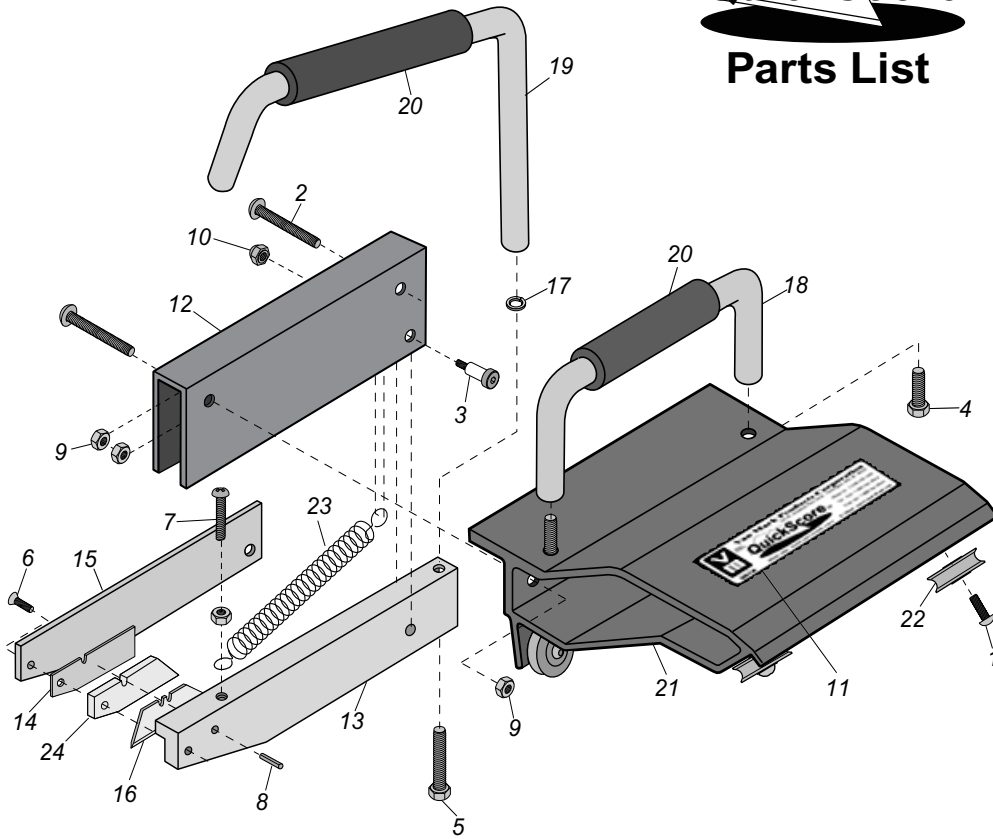


**QuickScore™**  
Parts List



Effective 12-15-14



Model 3016. Use on Mark Series™ Brakes, TrimMaster® and Metal Master® 20 Series Brakes

Ref	Description	Part No	Qty Req	Ref	Description	Part No	Qty Req
1	1/4-20x5/8" But Hd	2019	4 ea	13	Knife Block	4005	1 ea
2	1/4-20x1 1/2" Pan Hd	2034	2 ea	14	Knife Shim	4007	1 ea
3	3/8-16x1 1/4" Shldr	2041	1 ea	15	Knife Cover	4009	1 ea
4	3/8-16x1" Hex Cap	2042	2 ea	16	Knife Blade	4010	1 ea
5	3/8-16x2" hex Cap	2045	1 ea	17	3/8 Lock Wash	2508	1 ea
6	10-24x5/8" Flat Hd	2047	1 ea	18	Fixed Handle	4012	1 ea
7	1/4-20x1" Phil Hd	2056	1 ea	19	Moving Handle	4013	1 ea
8	1/8x1/2" Pin	2052	1 ea	20	Grips	4014	2 ea
9	1/4-20 Hex Nut	2300	7 ea	21	Carriage	4019	1 ea
10	5/16-18 Lock Nut	2309	1 ea	22	Guide Bearing	4026	4 ea
11	Nameplate	4002	1 ea	23	Spring	6544	1 ea
12	Knife Body	4004	1 ea	24	Spacer	4018	1 ea

**CONTENTS**

Getting Started ..... pg. 2  
 Changing Blade/Blade Position.....pg. 3  
 Parts List.....pg. 4

Pat. No. 6,755,067



24145 Industrial Park Dr., Farmington Hills, MI 48335  
 Toll Free No. 1-800-Van Mark Toll Free Fax 1-888-Van Mark  
 Local Phone No. 1-248-478-1200 Local Fax No. 1-248-478-1226  
 Web site: www.van-mark.com E-mail sales@van-mark.com

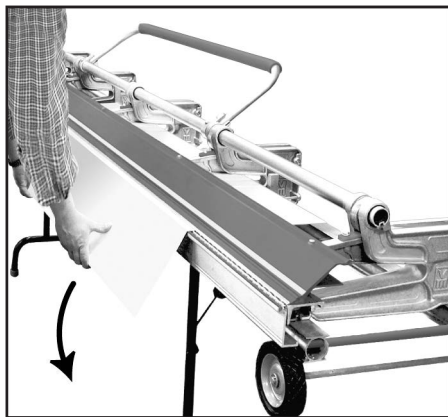
## Getting Started with Your Tool

Note: Tool blade is set at the factory for use with a Mark I™. For TrimMaster® and Metal Master® 20 use, see page 3 to reposition blade.

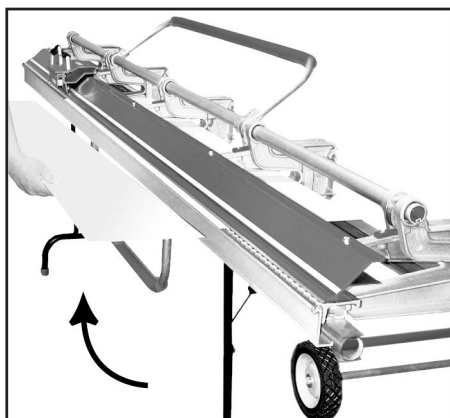


1. If using with TrimMaster® brake, you must first reposition blade (page 3). Observe all cautions and warnings associated with this tool. Getting started. On Mark I Series brakes, there is a 3/4" distance from the stainless bending edge to the outer point of the bending hinge, where QuickScore actually scores the material. On the TrimMaster®, the distance is 5/8". Make sure your QuickScore blade is positioned directly above the outer edge of the bending hinge. Keeping this in mind, insert material into brake and lock in place. Position QuickScore at end of piece. Grip both handles and apply downward pressure to the moving handle which will engage the blade against the material. Use a constant even pressure against the fixed handle to extend QuickScore along the entire piece. Scoring thicker materials, such as copper, additional passes may be required before attempting to separate blank from material.

2. Set QuickScore aside and grip scored material with both hands. Center your gripping pressure evenly over entire length and gradually apply downward pressure until piece is almost vertical. NOTE: If resistance is felt at score line, or if piece tries to buckle while exerting downward pressure, you may either have a dull blade, or not have used adequate blade pressure in your initial pass. Align blade into score and apply additional pass as needed. It is recommended that you make practice scores on various pieces of scrap until you familiarize yourself with the various blade pressures you will need for various materials.



3. Next, use a steady lifting pressure to bring scored piece upward along the same arc path used with the downward pressure. This will cause metal fatigue in the score itself and cause the piece to separate into the desired blank. Maintain a firm grip on the piece in anticipation of severance to prevent damage from dropping piece. When scoring narrower blanks, extra care must be taken to provide a deeper score either by using additional pressure or by making another pass along the material. Again, we recommend that you make practice scores on scrap material until familiar with the basic pressures you will need for various materials.



2

## Replacing Blade-Changing Blade Position

To change blade, follow steps 1-4 then reverse to finish. Note: If blade is behind spacer, it is set for TrimMaster® & Metal Master® 20 use. If in front, blade is set for Mark I™ use.



1 Steady tool on flat surface. Extend knife block and remove slotted screw.



2 Carefully remove knife shim, set aside.



3 Next, remove spacer from knife block as shown and set aside.



4 Insert the spacer as shown. Note: Arrow indicates blade storage area.



5 Extend knife cover down to expose internal blade components.



6 Remove blade, keeping fingers away from sharp edges.



7 Reinstall blade into knife block using the first alignment notch on blade.



8 Reinstall knife shim over spacer. Slide cover back and insert screw.

3