

TIE DOWN

S A F E T Y

www.tiedown.com

Ladder Assist Rail Installation Instructions Part #65082

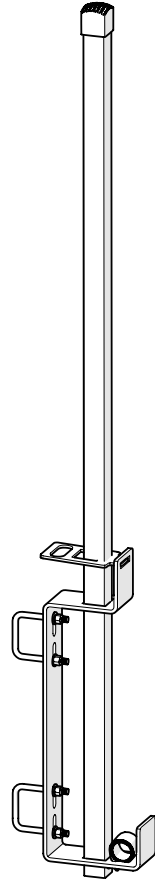
The Tie Down Ladder Assist Rail supports workers climbing up fixed ladders. Roof hatches and access doors become easier and safer to access! Enhance safety by preventing falls with the lock up bracket and release lever.

Made with 100% steel, this product works with heavy-duty ladders and against harsh environmental conditions. The TS22 coating makes job site visibility easier for users.

Ladder Assist Includes:

- Ladder Assist Assembly (x1)
- Square U-bolts (x2)
- Round U-bolts (x2)
- Nyloc Nuts (x4)
- Washers (x4)

MADE
★IN THE★
USA



Instruction #08373
E1828, Rev. 3/2/21

TIE DOWN

MANUFACTURING INGENUITY

Safety Products Division
605 Stonehill Drive SW,
Atlanta, Georgia 30336
800-241-1806 • 404-344-0000
www.tiedown.com

Failure to read, understand and follow these instructions may cause bodily injury or death.

Determine which set of U-bolts are needed for the installation. The square u-bolts are for use with larger square ladder rungs. The round u-bolts are for use on smaller rod like rungs.

Per OSHA regulations, always maintain three points of contact while assembling and climbing on a ladder.

Step 1

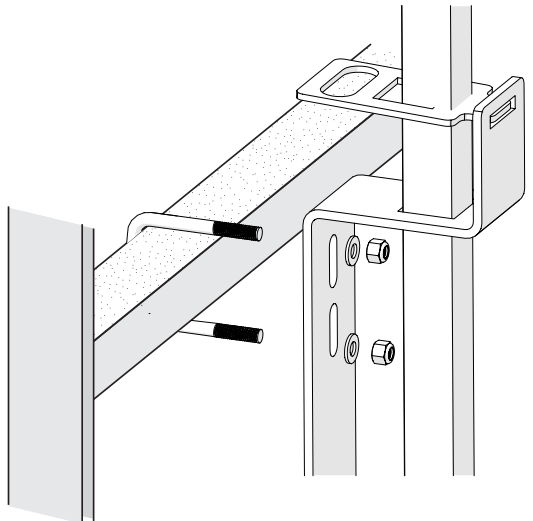
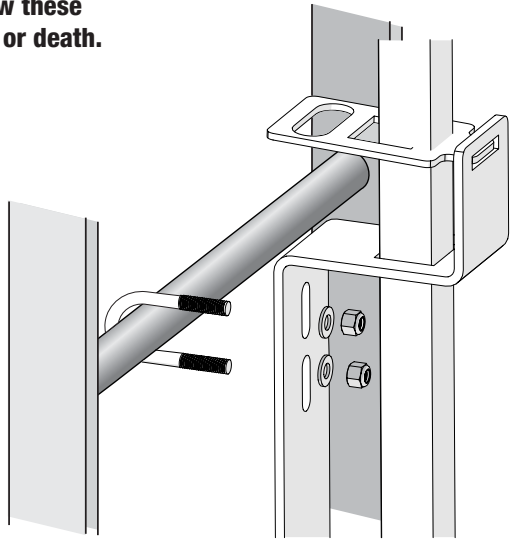
Position the Ladder Assist at the 2nd to top ladder rung. It must position to one side of the ladder and not in the middle.

Step 2

Place one U-bolt around the ladder rung and insert through corresponding holes in the Ladder Assist.

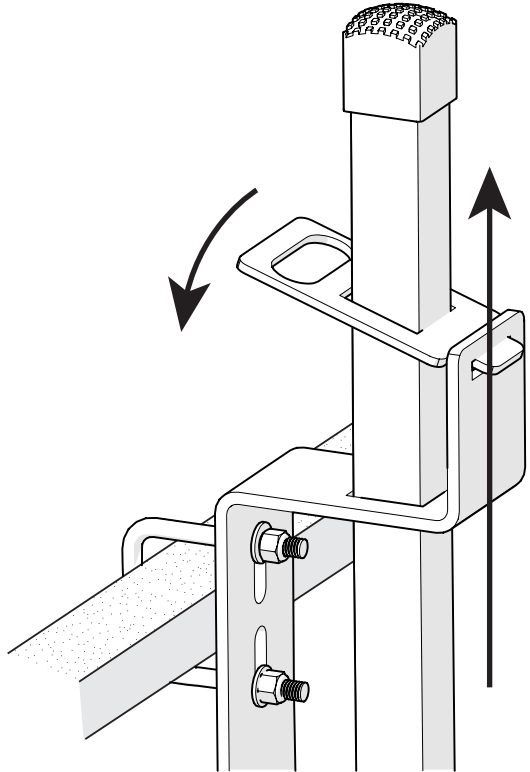
Tighten one Washer and Nyloc Nut to each end of the U-Bolt. Repeat on the other end. Make sure both ends of the U-Bolt are snug.

Repeat on the lower ladder rung.

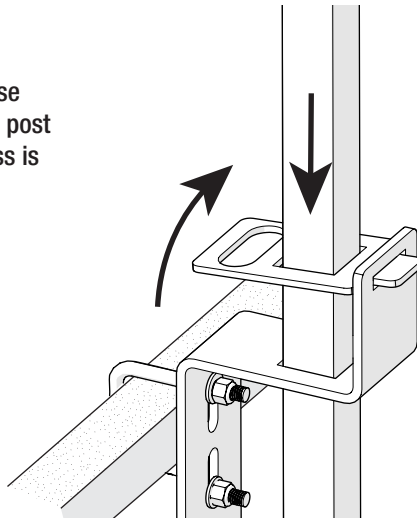


Ladder Assist - Rising & Lowering

Fully extend the Ladder Assist up
and the release handle down to
ensure fully locked position.



To lower the Ladder Assist post, raise
the release handle up and push the post
down. Make sure the point of access is
completely closed.



TIE DOWN

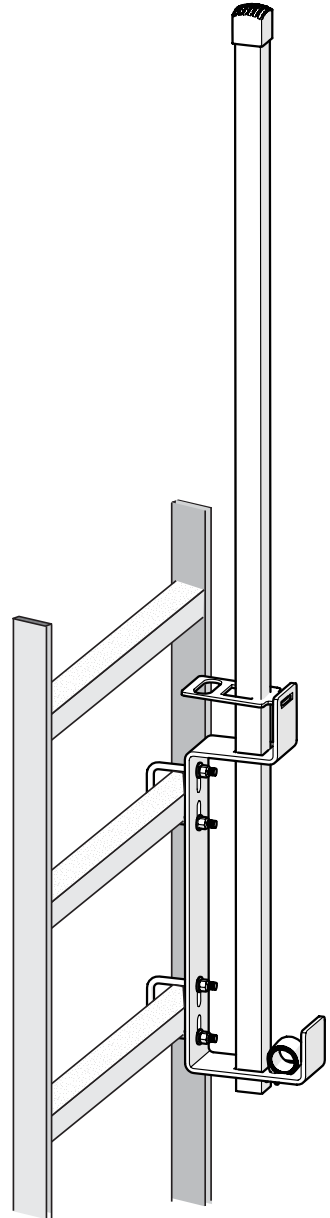
S A F E T Y

Hatch ladder Assist

The Tie Down Hatch Ladder Assist provides a great solution for climbing in and out of a hatch when a worker reaches the top and transitions to and from the rooftop.

- Fits a large range of round and square rungs
- Quickly attaches with simple tools
- Spring loaded for one hand operation
- Includes safety locking feature

Part ID: 65082



TIE DOWN

MANUFACTURING INGENUITY

Safety Products Division
605 Stonehill Drive SW
Atlanta, Georgia 30336
800-241-1806 • 404-344-0000

www.tiedown.com
ISO 9001:2015 Certification
Intellectual property of TIE DOWN Inc.
©2020 TIE DOWN, Inc.
Instruction #08340 (E1828 Rev. 3/2/21)