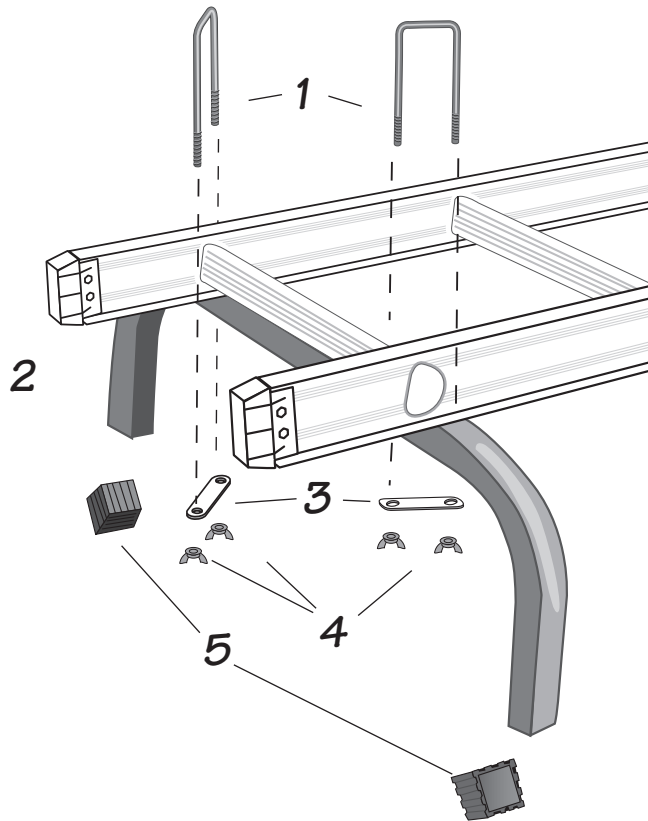
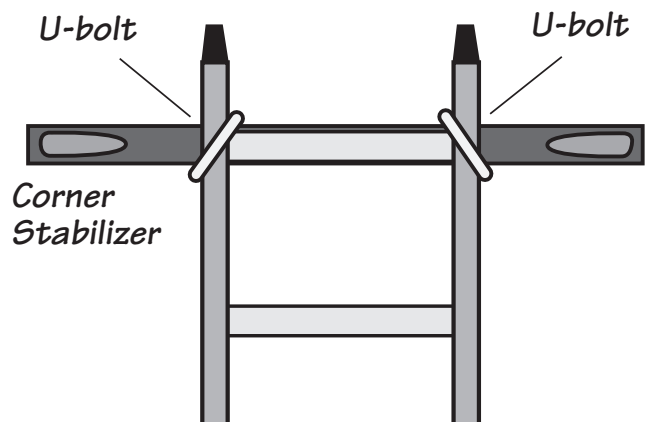




# Ladder Stabilizer #65025 Assembly and Operating Instructions



#	Description	Qty.
1	U-bolts	2
2	Ladder Stabilizer	1
3	Mounting Brackets	2
4	Wing Nuts	4
5	End Caps (Installed)	2



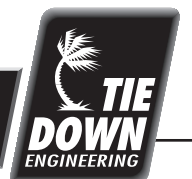
## Assembly instructions

Fasten stabilizer (2) to inside of ladder by using two U-bolts (1), two U-bolt plates (3), and 4 wing nuts (4).  
**Note:** Position the U-bolts so that they straddle the ladder side rail and top ladder rung as shown in the diagram. Press rubber feet (5) on the ends of Stabilizer tubes and tap lightly with mallet to insure snug fit or fit rubber feet on ends, lay against a smooth surface and press down until caps are all the way in. Be sure stabilizer is positioned on inside of ladder between ladder and work surface.

**CAUTION:** Proper Use – Portable extension non-self supporting ladders should be erected at a recommended angle of 75 degrees for maximum balance and strength. To set up ladder at the proper angle, place the base a distance from the vertical wall equal to one – fourth the working length of the ladder. When used with stabilizer, base of the ladder should be one foot farther away from the wall than it would be without stabilizer. Before using always check the wing nuts and tighten sufficiently so plates are flush to stabilizer bar. Never use damaged or bent stabilizer or ladder. Do not stand above third rung from top of ladder. Do not use stabilizer on any slippery surfaces (wet paint, wet surfaces etc.). Move ladder, do not overreach. Ladders and stabilizers are designed to support one person on only (max 300 lbs). Do not stand on stabilizer. Do not use stabilizer as a rest for materials or as scaffolding. Never use near electrical current. Metal conducts electricity. Be sure stabilizer is positioned on inside of ladder, between ladder and working surface. Destroy stabilizer if exposed to excessive heat or any corrosive material. Never repair damaged stabilizer. Never use stabilizer or any climbing equipment if you are not in good physical condition. Check that all four ends of ladder and stabilizer are firmly supported to prevent excessive movements. Securely engage ladder locks before climbing. **DANGER:** Keep Clear of electric wires!

Instruction #08174

**TIE DOWN ENGINEERING • 255 Villanova Drive SW • Atlanta, GA 30336**  
**www.tiedown.com (404) 344-0000 Fax (404) 349-0401**



081513, E1278