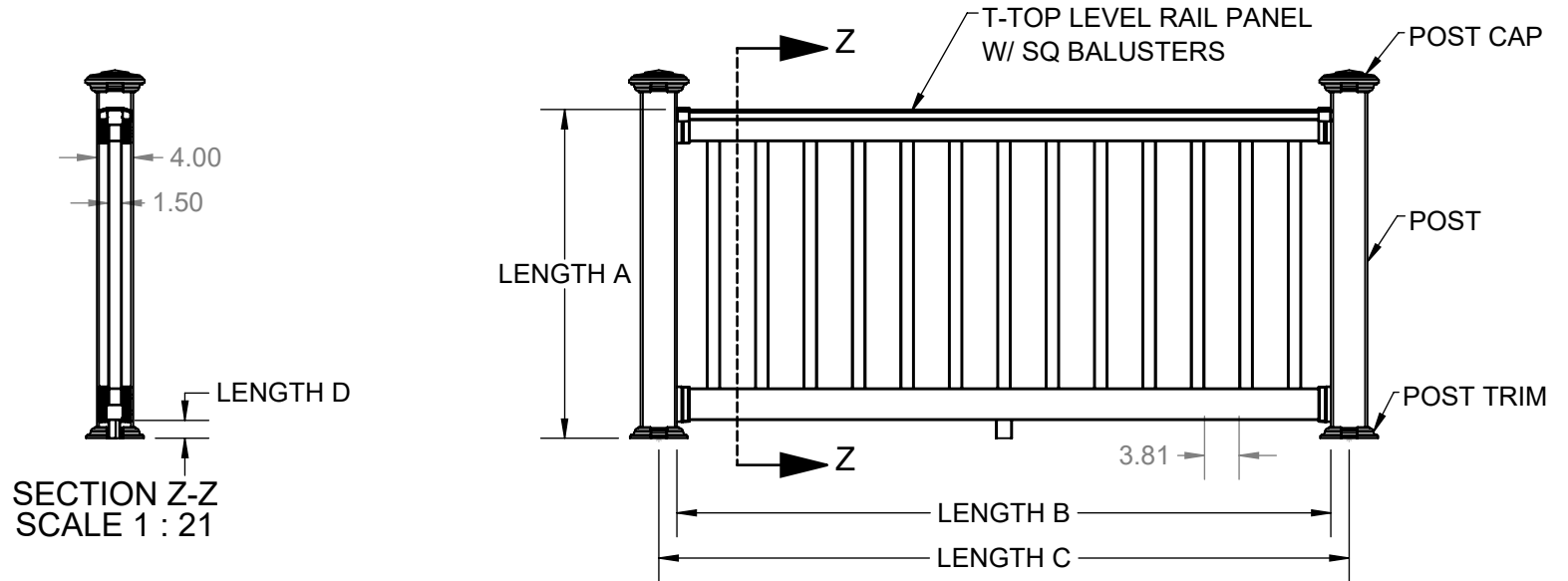


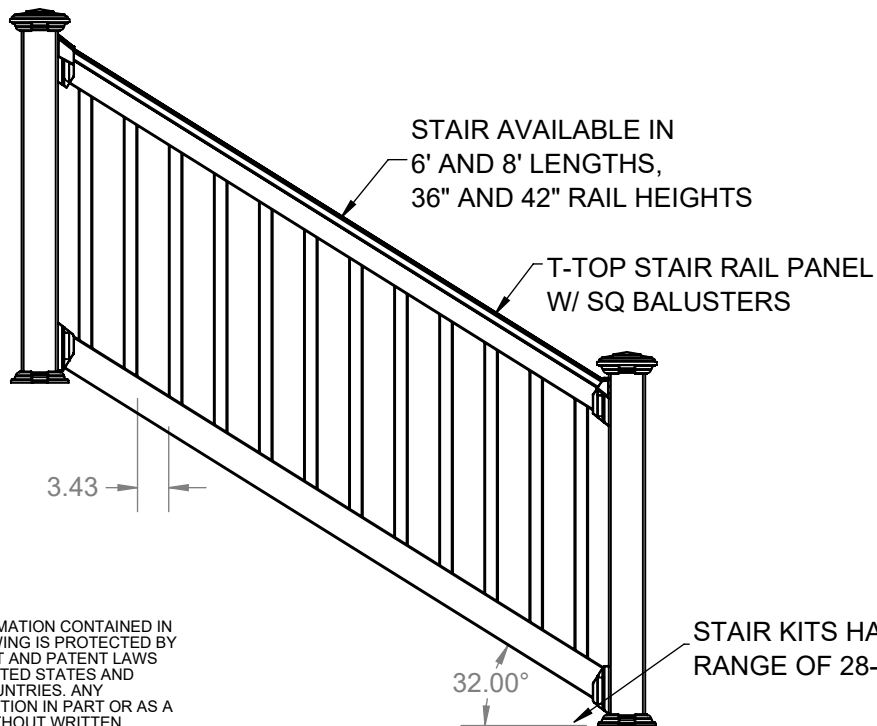
# FINYL LINE T-TOP LEVEL AND STAIR RAIL DETAILS



SECTION Z-Z  
SCALE 1 : 21

**NOTE:**

- (A) FINISHED RAIL HEIGHT = 36", 42"
- (B) PANEL LENGTH = 47.75", 59.75", 71.75", 95.75", 119.75"
- (C) MAX SPANS = 98.5X36" IRC, 98.5X42" IBC
- (D) BOTTOM SPACE = 2"

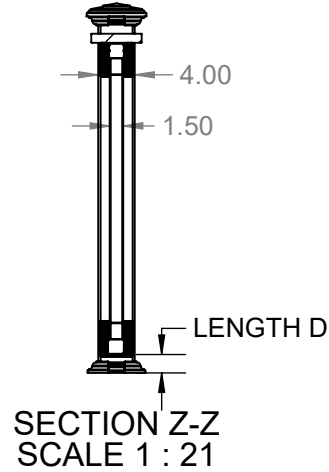
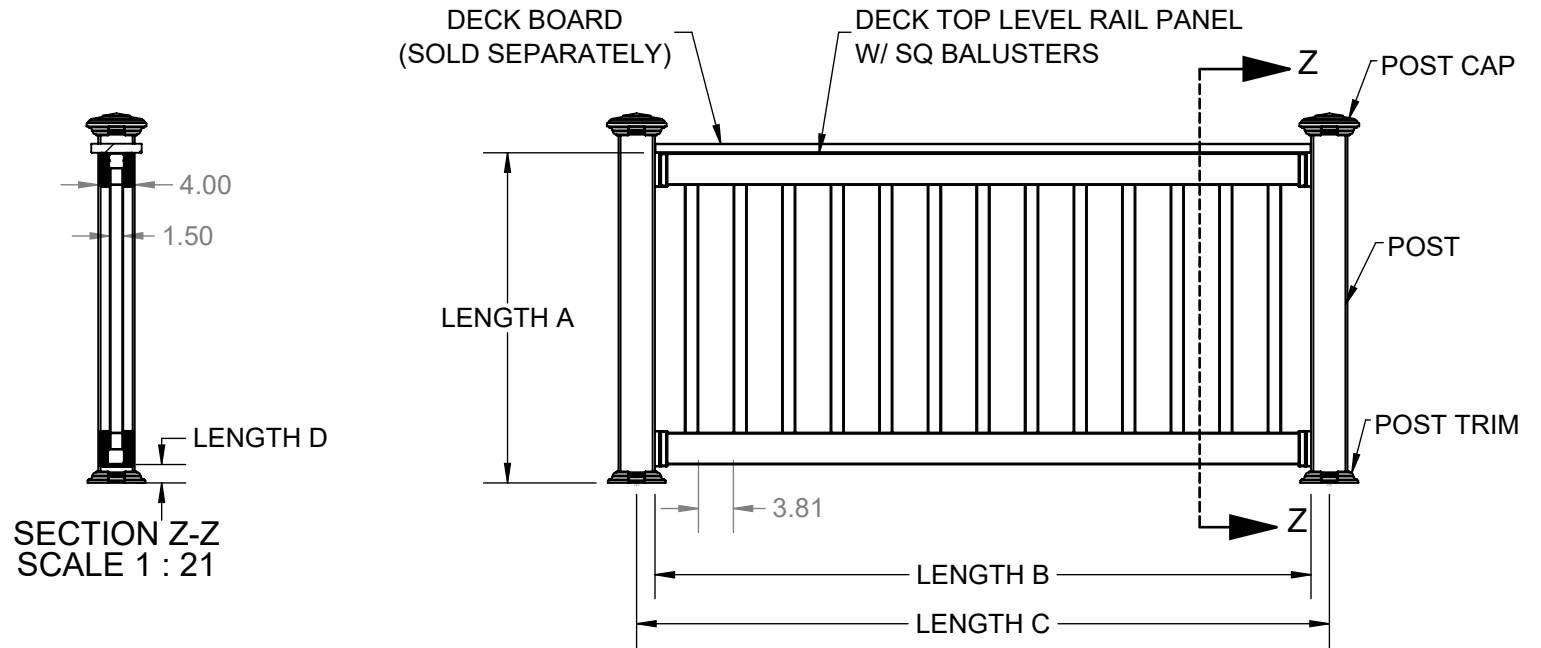


STAIR KITS HAVE A WORKING RANGE OF 28-38 DEGREES.

THE INFORMATION CONTAINED IN THIS DRAWING IS PROTECTED BY COPYRIGHT AND PATENT LAWS OF THE UNITED STATES AND OTHER COUNTRIES. ANY REPRODUCTION IN PART OR AS A WHOLE WITHOUT WRITTEN PERMISSION IS PROHIBITED.

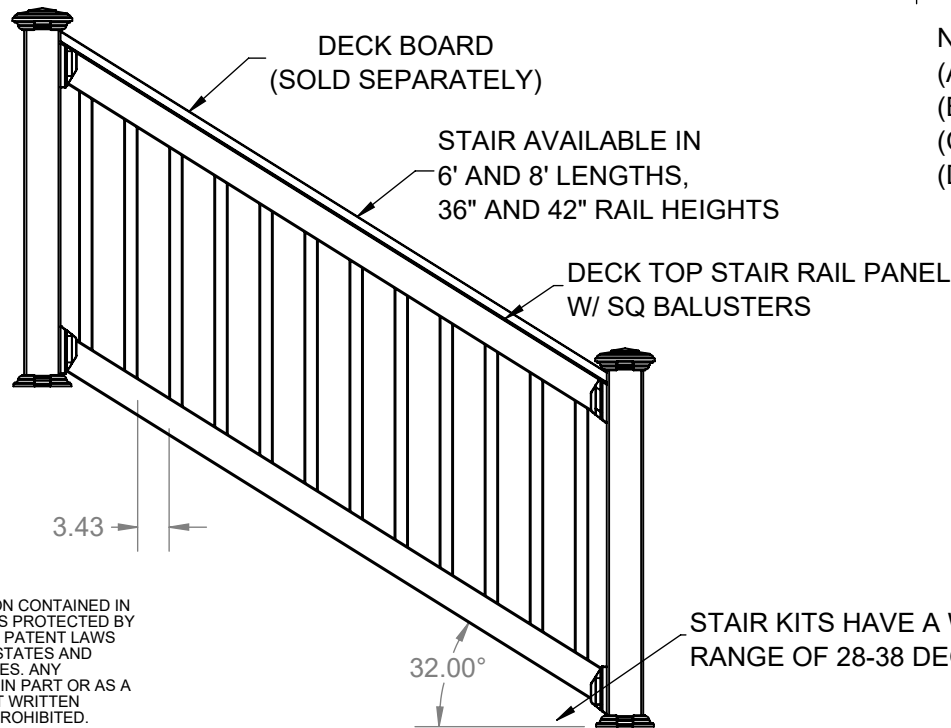
		<b>BARRETTE</b> Outdoor Living
DRAWN: RP	DATE: 05/02/2018	APPROVED:
DESCRIPTION: <b>FINYL LINE T-TOP LEVEL AND STAIR RAIL</b>		
SHEET 1 OF 4	REVISION	PART NUMBER
SCALE 1:21	0	<b>N/A</b>
WEIGHT: N/A		

# FINYL LINE DECK TOP LEVEL AND STAIR RAIL DETAILS



**NOTE:**

- (A) FINISHED RAIL HEIGHT (TOP OF RAIL TO FLOOR) = 36", 42"
- (B) PANEL LENGTH = 47.75", 59.75", 71.75", 95.75", 119.75"
- (C) MAX SPANS = 98.5X36" IRC, 98.5X42" IBC
- (D) BOTTOM SPACE = 2"

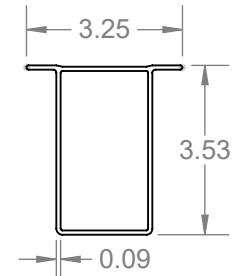


THE INFORMATION CONTAINED IN THIS DRAWING IS PROTECTED BY COPYRIGHT AND PATENT LAWS OF THE UNITED STATES AND OTHER COUNTRIES. ANY REPRODUCTION IN PART OR AS A WHOLE WITHOUT WRITTEN PERMISSION IS PROHIBITED.

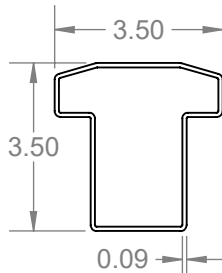
		<b>BARRETTE Outdoor Living</b>
DRAWN:	RP	DATE:
		05/02/2018
APPROVED:		
<b>FINYL LINE DECK TOP LEVEL AND STAIR RAIL</b>		
SHEET 2 OF 4	REVISION	PART NUMBER
SCALE 1:21	0	<b>N/A</b>
WEIGHT: N/A		

## TOP AND BOTTOM RAIL

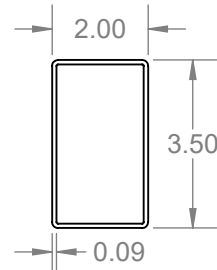
NOTE: STIFFENER SELECTION DEPENDS ON SPAN OF SELECTION. SEE PFS TECO RESEARCH REPORT 0112



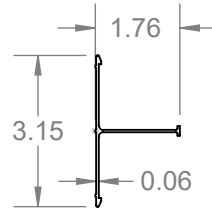
DECK TOP RAIL



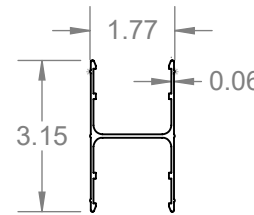
I-TOP RAIL



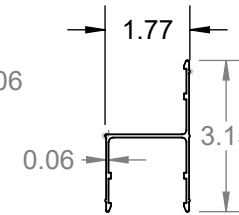
BOTTOM RAIL



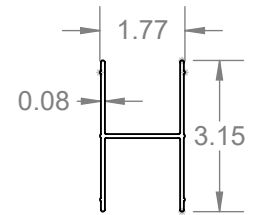
BOTTOM RAIL STIFFENER



TOP RAIL STIFFENER



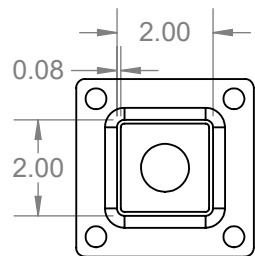
BOTTOM RAIL STIFFENER



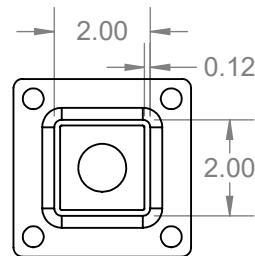
HEAVY TOP RAIL STIFFENER

SEE CODE DOC

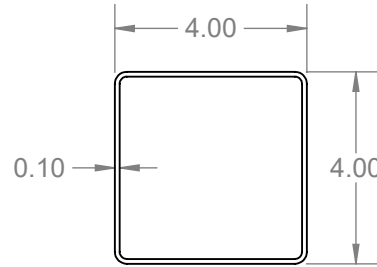
## POST COMPONENTS



STRUCTURAL POST (RESIDENTIAL)

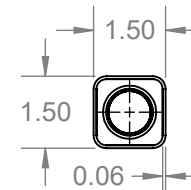


STRUCTURAL POST (COMMERCIAL)



SQ POST SLEEVE

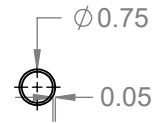
## BALUSTERS



TURNED BALUSTER




SQ BALUSTER

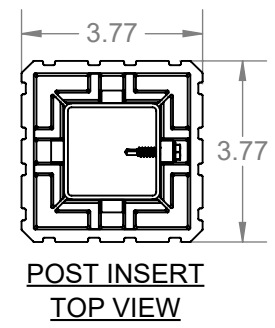
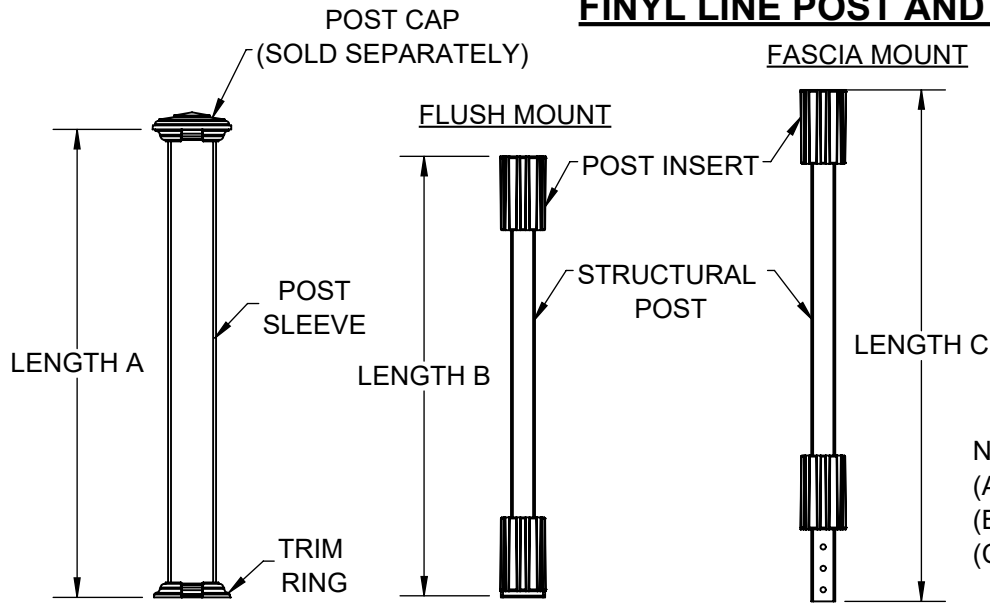


ROUND BALUSTER

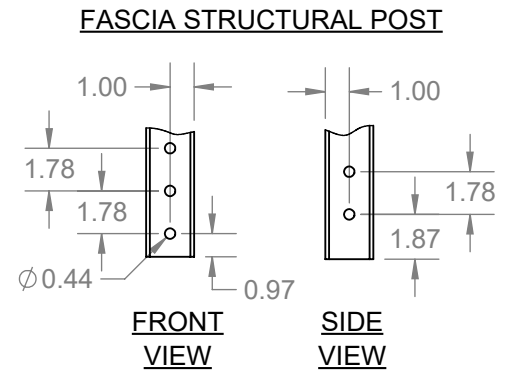
THE INFORMATION CONTAINED IN THIS DRAWING IS PROTECTED BY COPYRIGHT AND PATENT LAWS OF THE UNITED STATES AND OTHER COUNTRIES. ANY REPRODUCTION IN PART OR AS A WHOLE WITHOUT WRITTEN PERMISSION IS PROHIBITED.

		<b>BARRETTE</b> Outdoor Living	
DRAWN: RP	DATE: 05/02/2018	APPROVED:	
DESCRIPTION: <b>FINYL LINE PROFILE DETAILS</b>			
SHEET 3 OF 4	REVISION	PART NUMBER	
SCALE 1:4	0	<b>N/A</b>	
WEIGHT: N/A			

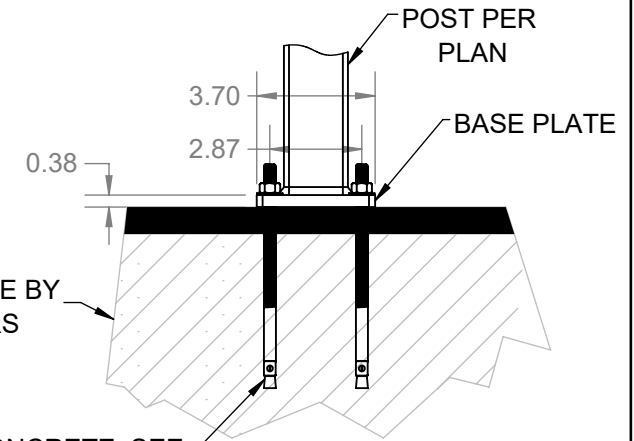
# FINYL LINE POST AND MOUNT DETAILS



NOTE:  
 (A) = 39", 45", 54", 100", 108", 120"  
 (B) = 36.625", 42.625"  
 (C) = 42.625", 48.625"

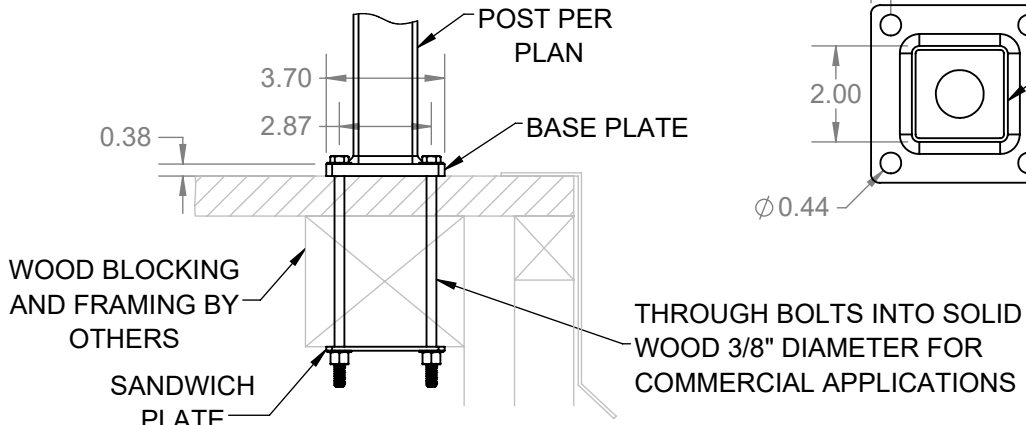


## POST BASE CONNECTION INTO CONCRETE WITH WEDGE ANCHORS



ANCHOR INTO CONCRETE. SEE MANUFACTURER INSTRUCTIONS FOR DETAILS.

## POST BASE CONNECTION INTO WOOD WITH THRU BOLT



NOTE:  
 1. COMMERCIAL APPLICATIONS ARE ALWAYS BOLTED, USE 3/8" DIAMETER A307 THROUGH BOLTS INTO SOLID WOOD BLOCKING.  
 2. WOOD BLOCKING BY OTHERS.  
 3. BLOCKING MUST BE DESIGNED TO WITHSTAND PROPER LOADING.

THE INFORMATION CONTAINED IN THIS DRAWING IS PROTECTED BY COPYRIGHT AND PATENT LAWS OF THE UNITED STATES AND OTHER COUNTRIES. ANY REPRODUCTION IN PART OR AS A WHOLE WITHOUT WRITTEN PERMISSION IS PROHIBITED.

		<b>BARRETTE</b> Outdoor Living	
DRAWN: RP	DATE: 05/02/2018	APPROVED:	
DESCRIPTION: <b>FINYL LINE POST &amp; MOUNT DETAILS</b>			
SHEET 4 OF 4		REVISION	PART NUMBER
SCALE 1:16			<b>N/A</b>
WEIGHT: N/A			