



**PRIVACY PLUS HORIZONTAL FENCE**

INSTRUCTION MANUAL

email: [Info@primealux.com](mailto:Info@primealux.com)

website: [www.primealux.com](http://www.primealux.com)

**Dear Valued Customer,**

Thank you for choosing the PRIVACY PLUS HORIZONTAL FENCE by Primealux.

We truly appreciate your purchase and trust in our product. This fence was thoughtfully designed to offer a balance of modern style, durability, and privacy to your outdoor space. Whether you're enhancing your home, garden, or commercial area, we're confident this product will meet your expectations.

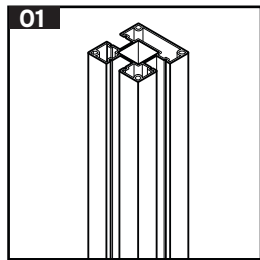
Please take a few moments to read through this manual before installation. It has been prepared to ensure a smooth and safe assembly experience.

If you have any questions or need assistance, our support team is here to help at [info@primealux.com](mailto:info@primealux.com).

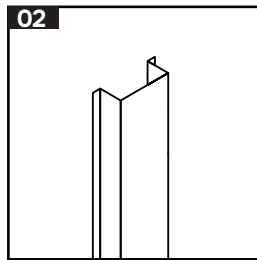
Warm regards,  
**The Primealux Team**

# Items Included

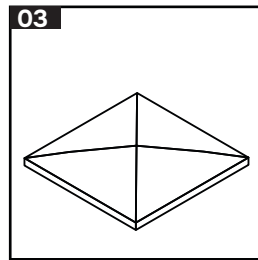
Check the delivery immediately upon receipt. In the event of damage or an incomplete delivery, please contact your supplier immediately. Open the packaging carefully. Make sure that you do not damage the product. To prevent damage to the product, place the parts on a soft, clean and flat surface. We recommend that the product is installed by 2 people (qualified technicians / certified installers) as standard.



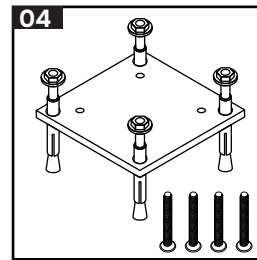
POST X 1



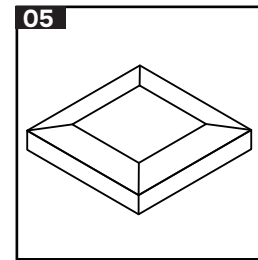
POST COVER X 1



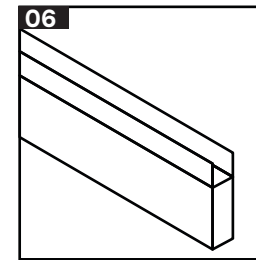
POST CAP X 1



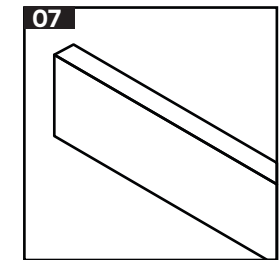
BASE PLATE ASM X 1



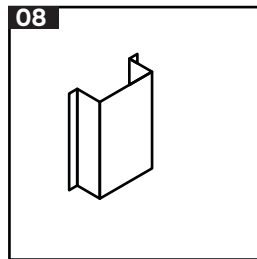
BASE PLATE CAP X 1



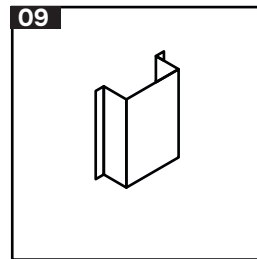
RAIL (TOP/BOTTOM) X 2



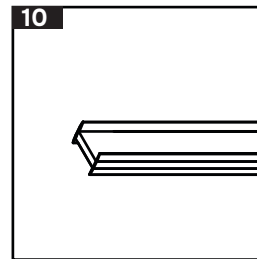
ALU SLAT HORIZONTAL X 16



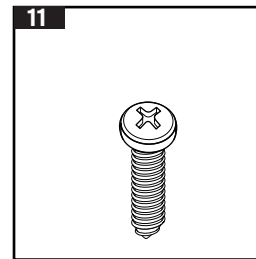
BOTTOM SPACER X 2 (1")



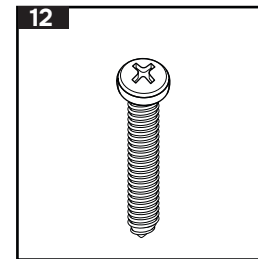
TOP SPACER TO BE DRILLED ON SITE X 2



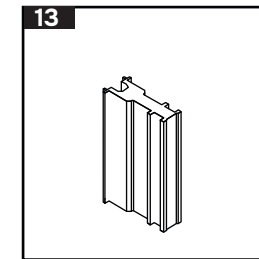
H Rail X 15



PAN HEAD SCREW X 2



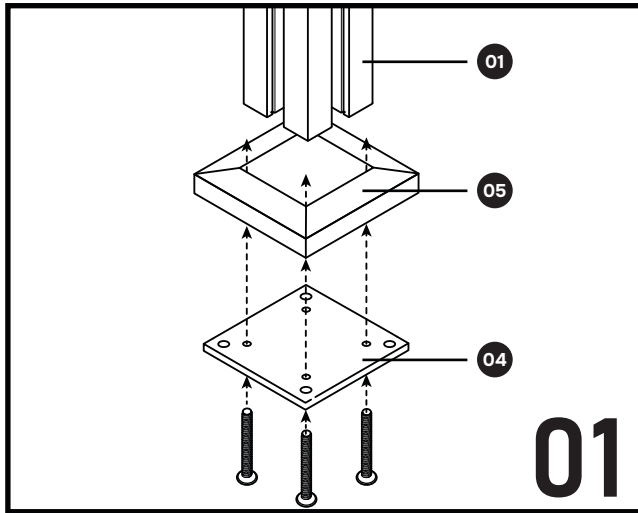
PAN HEAD SCREW X 8



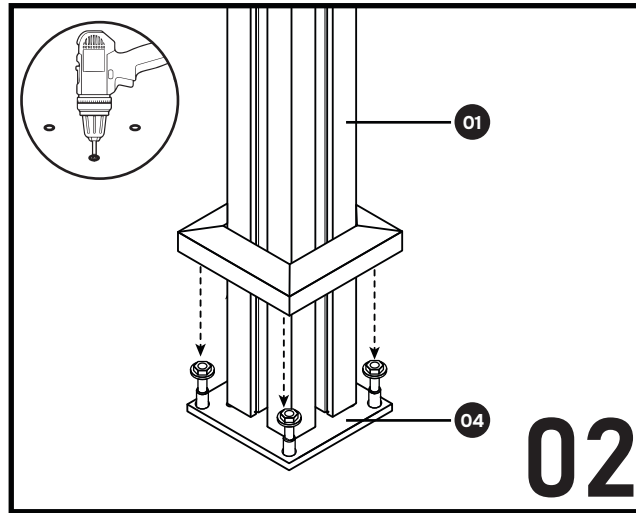
RAIL BRACKET X 4

# Pre-Installation Checklist

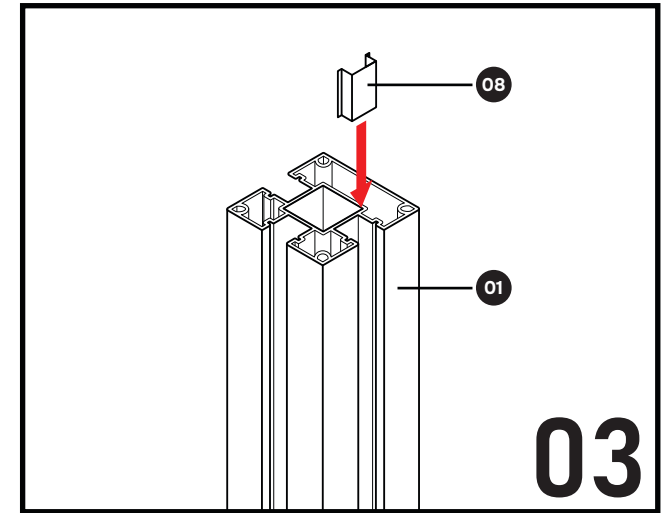
Before starting, make sure the installation surface is clean, level, and structurally stable. Check local building codes and HOA guidelines for any height restrictions, boundary rules, or permit requirements. Carefully measure and mark the intended fence location, confirming alignment and spacing. Lay out all components on a soft, clean surface to prevent damage, and check that all parts are present and undamaged. Prepare all necessary tools in advance, including a drill, level, screwdriver, and safety gear. For safe and efficient installation, always work with at least one other person. Avoid installing during harsh weather such as rain, high winds, or extreme cold.



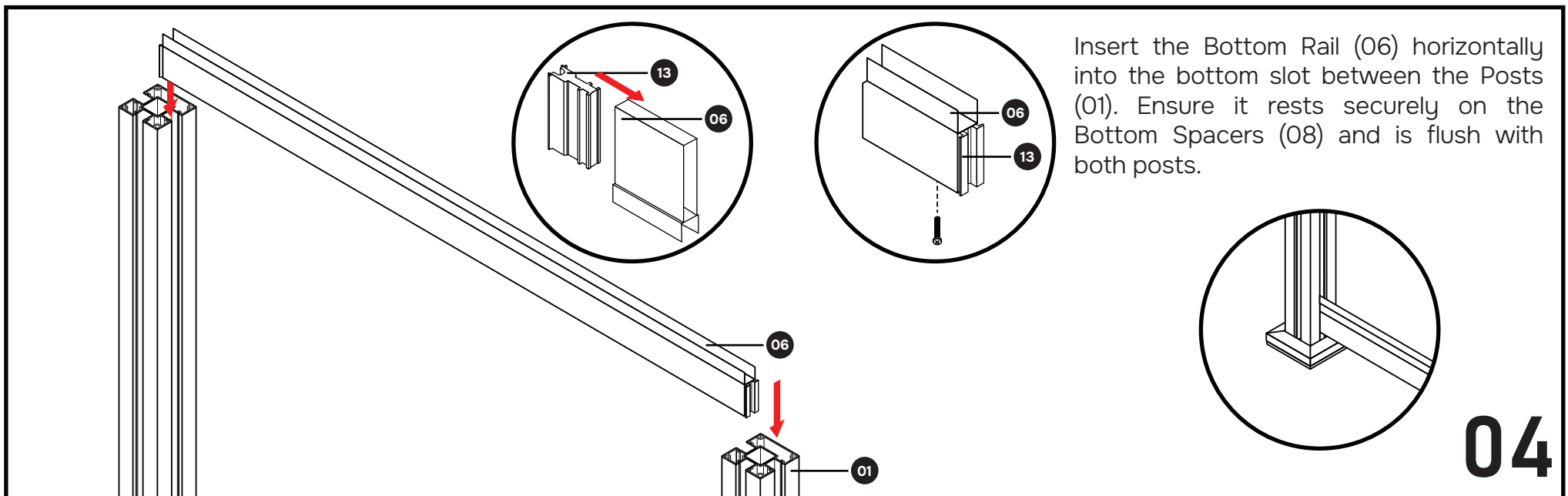
Secure the base plate (04) to the Bottom of the Post (01) with the appropriate bolts. Place the Base Plate Cap (05) over the installed screws to cover them.



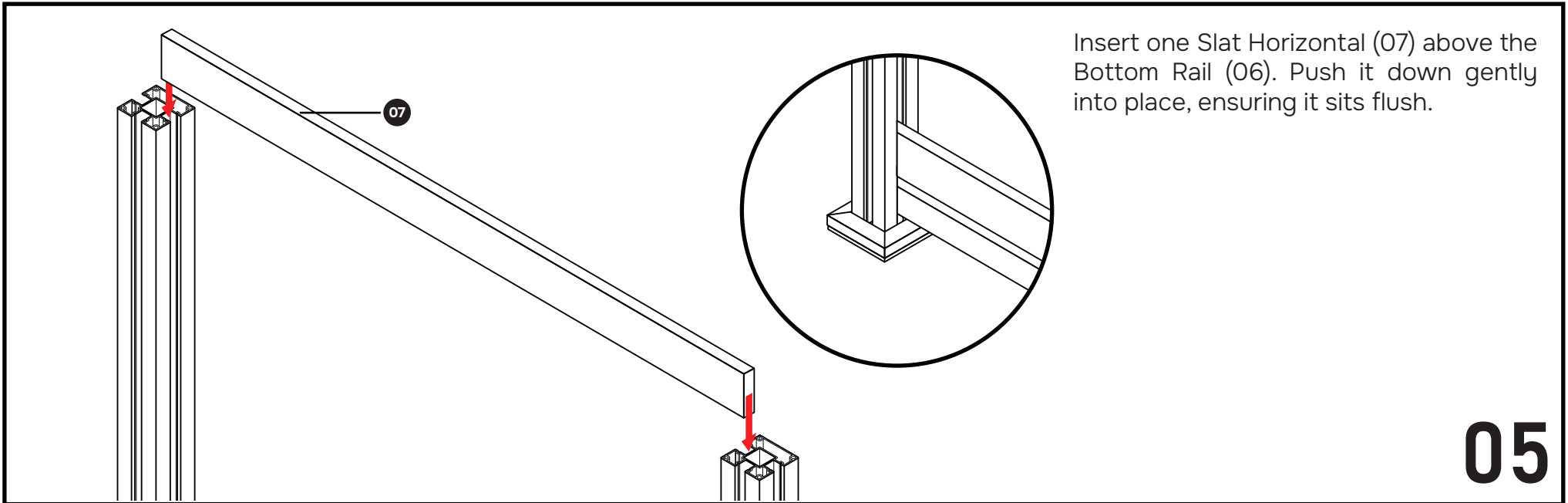
Secure the Post (01) with the base plate (04) to the ground using the Concrete bolts provided.



Slide the Bottom Spacer (08) into the interior channel at the base of the Post (01).

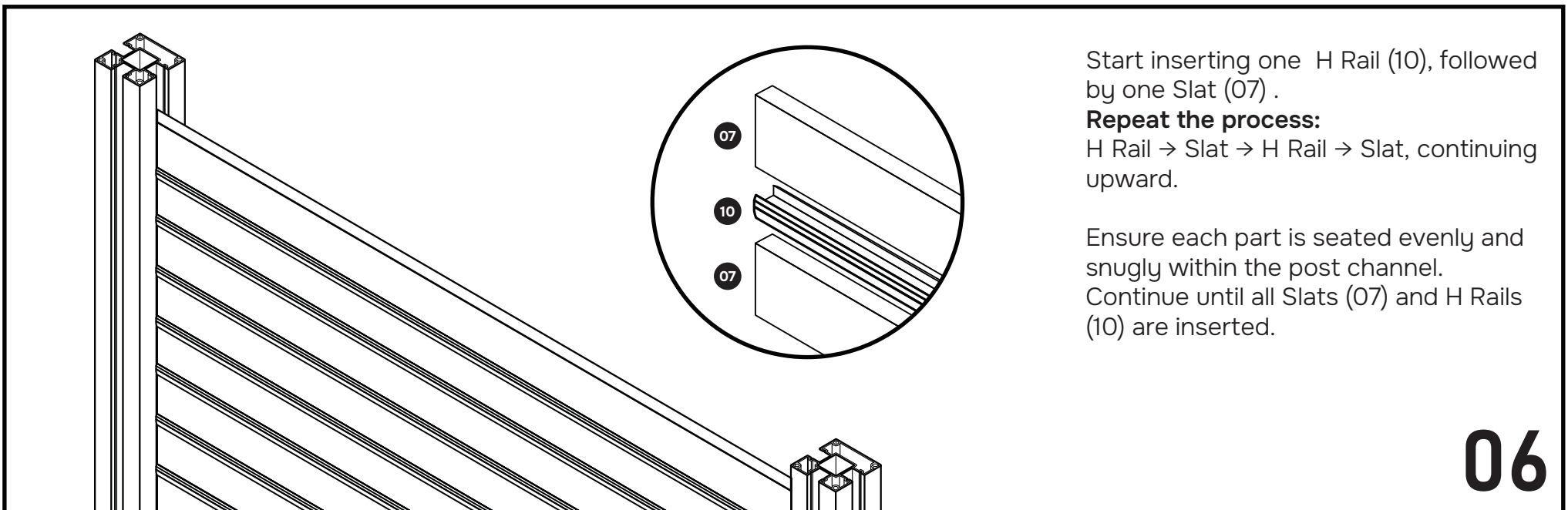


Insert the Bottom Rail (06) horizontally into the bottom slot between the Posts (01). Ensure it rests securely on the Bottom Spacers (08) and is flush with both posts.



Insert one Slat Horizontal (07) above the Bottom Rail (06). Push it down gently into place, ensuring it sits flush.

**05**



Start inserting one H Rail (10), followed by one Slat (07).

**Repeat the process:**

H Rail → Slat → H Rail → Slat, continuing upward.

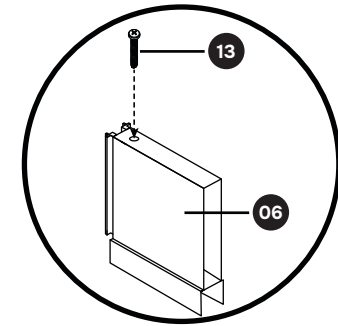
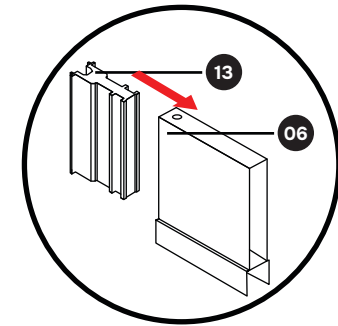
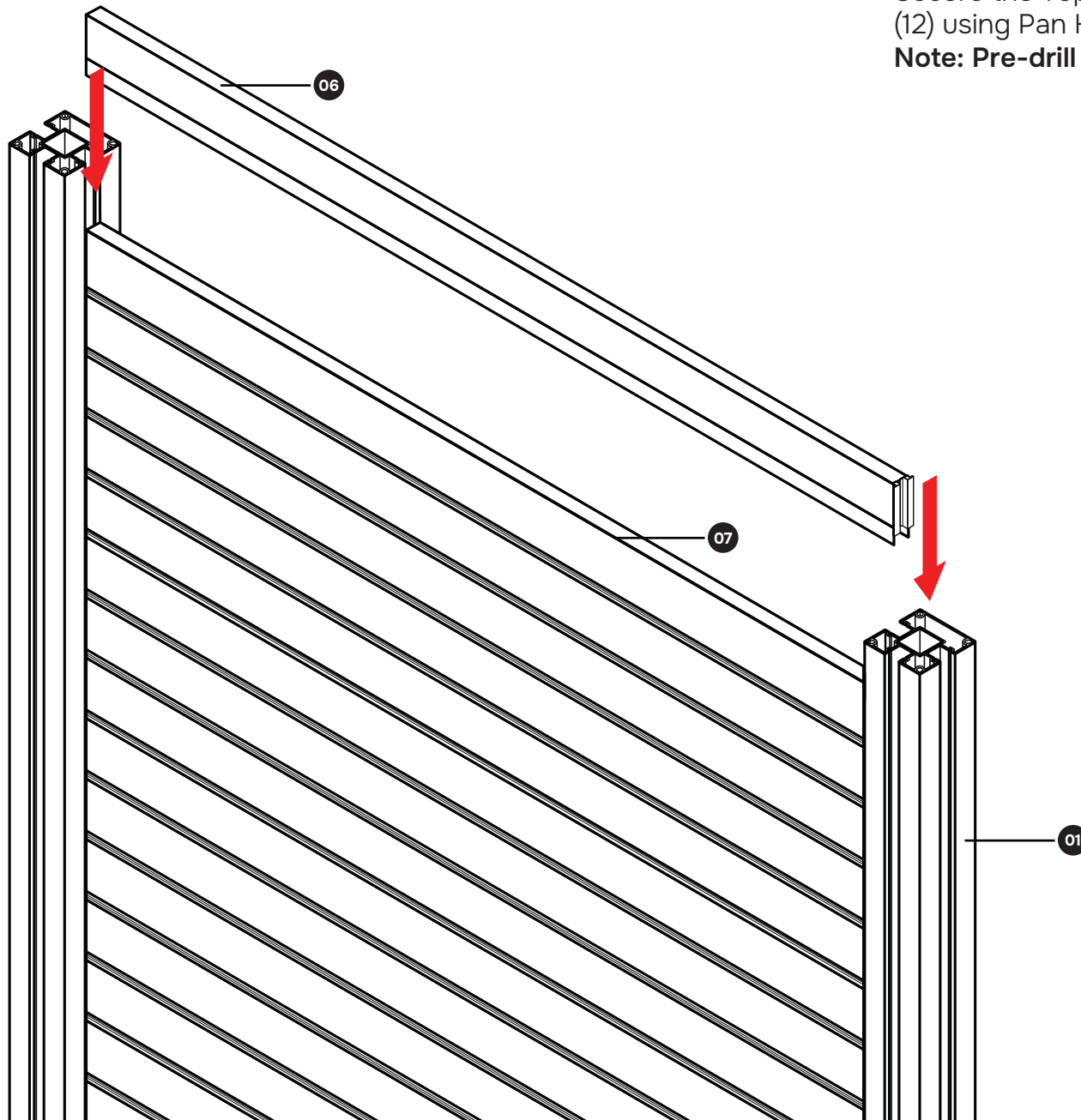
Ensure each part is seated evenly and snugly within the post channel.

Continue until all Slats (07) and H Rails (10) are inserted.

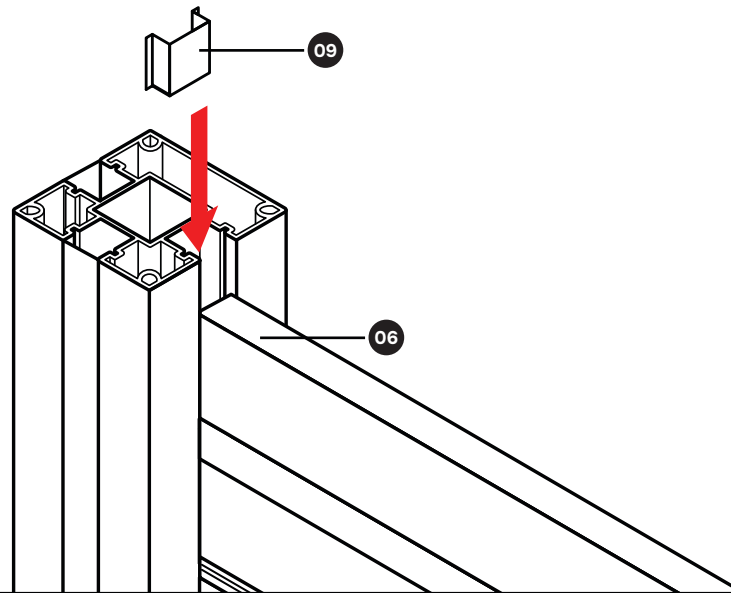
**06**

Secure the Top Rail (06) to the Rail Bracket (12) using Pan Head Screws (11).

**Note: Pre-drill before inserting the screws**

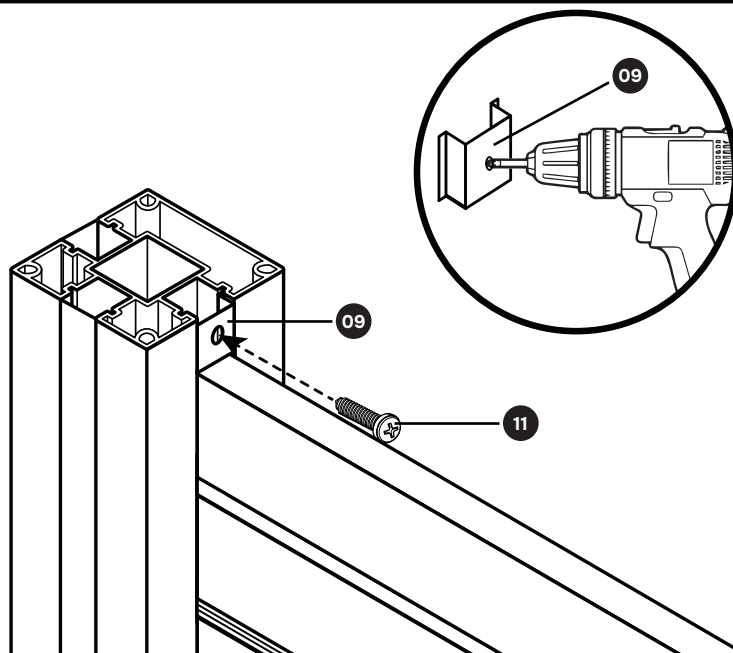


Insert the Top Spacers (09) into each Post (01).



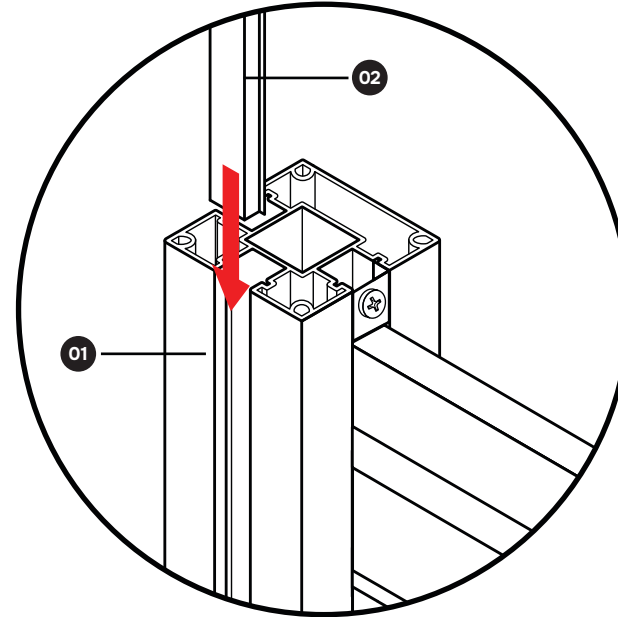
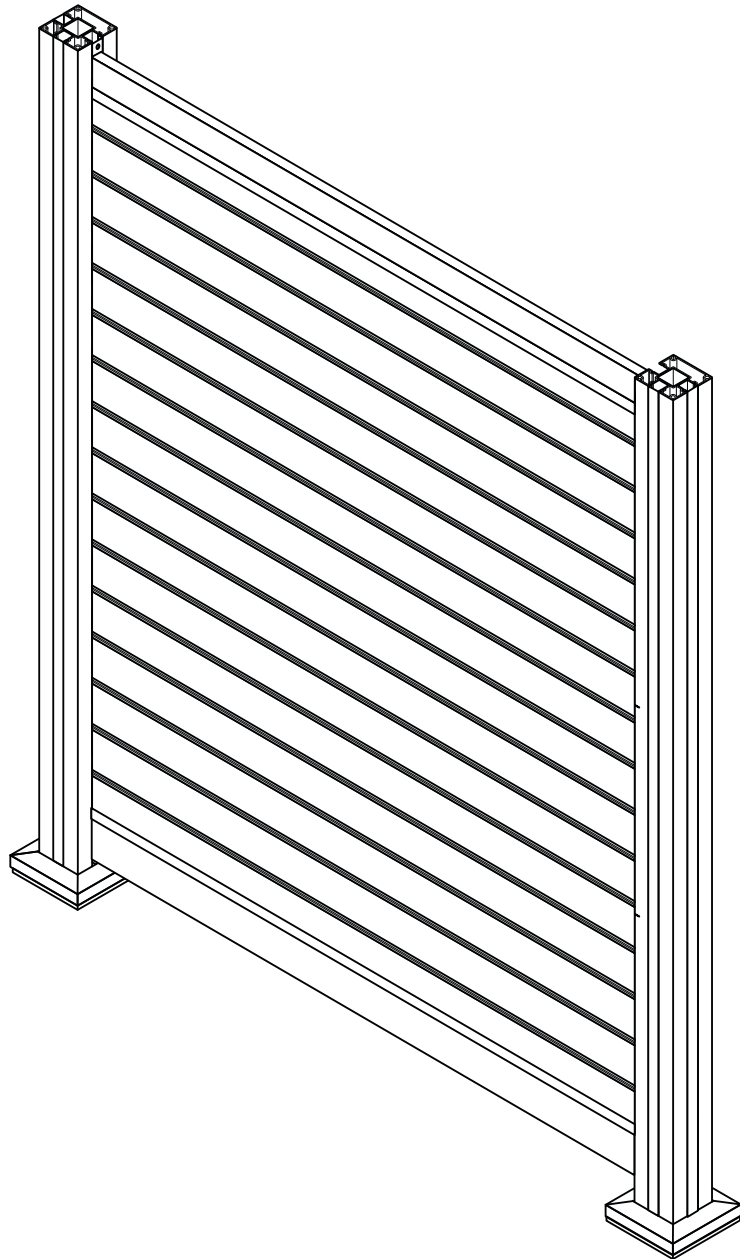
**08**

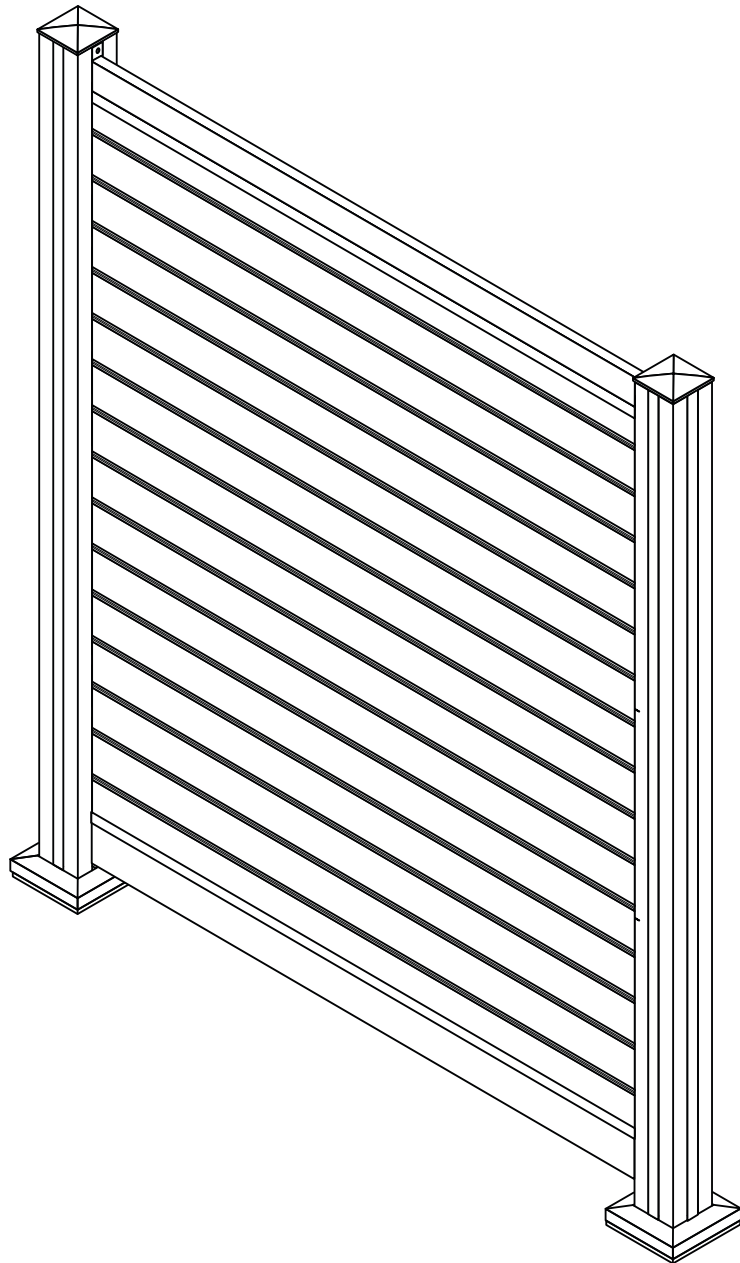
Drill the hole in the top spacer (09) and Post (01). Secure the spacer with Pan Head Screws (11).



**09**

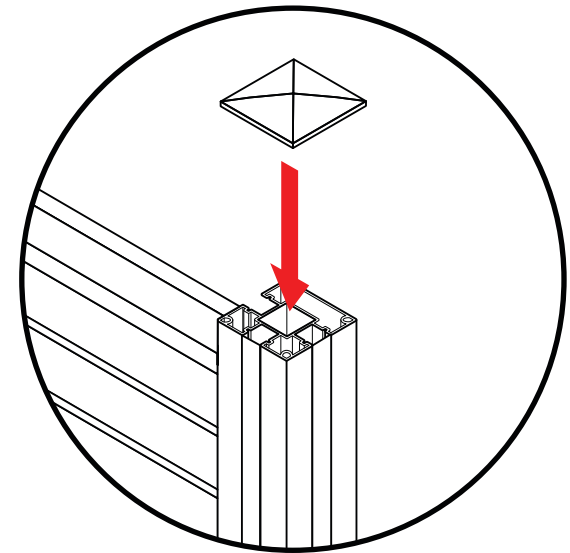
Slide the Post Cover (02) into place on the exposed opening of the Post (01).





Insert the Post Cap (03) at the top of the Post (01).

**Assembly Complete! Your fence is now ready for use, offering both security and semi-privacy.**



## NOTES

- DIMENSIONS IN BRACKETS [ ] ARE IN INCHES.
- TOLERANCES: LINEAR:  $\pm 1$  mm or [1/16"], ANGULAR:  $\pm 1$  Deg.
- CONSULT LOCAL CONDITIONS, CODES FOR FOUNDATION.
- INSTALLATION TO BE COMPLETED PER MANUFACTURER'S SPECIFICATION.
- THIS DRAWING IS PROVIDED FOR PLANNING PURPOSES ONLY.
- SIZES ARE APPROXIMATED AND COULD VARY DEPENDING ON THE SYSTEM OF CHOICE, PLEASE REFER TO THE INSTALLATION MANUAL FOR MORE DETAILED DIMENSIONS.
- OVERALL WIDTH IS MEASURED FROM POST CENTER TO POST CENTER.

## Care & Maintenance

- To extend the life and maintain the appearance of your fence:
- Regular Cleaning: Wash with mild soap and water. Avoid abrasive tools or chemicals.
- Inspect Annually: Check for any loose parts or signs of corrosion.
- Avoid Impact: Prevent lawn equipment or heavy objects from hitting the fence.
- Winter Care: In snowy areas, do not pile snow directly against the fence.

## Safety & Warnings

- IMPORTANT SAFETY INFORMATION – PLEASE READ CAREFULLY
- Protective Equipment: Always wear gloves and eye protection during assembly.
- Electric Tools Warning: Use caution when handling power tools. Keep away from children.
- Post Foundations: Ensure base plate is fixed to a structurally sound surface.
- Weather Considerations: Avoid installation during heavy wind or rain conditions.
- Sharp Edges: Handle aluminum slats and metal components with care to prevent cuts.
- Weight Load: Fence is not designed to support climbing or added loads.
- Keep Area Clear: During installation, keep pets and bystanders at a safe distance.
- Maintenance Checks: Periodically inspect and tighten all screws and fittings.
- 

- Keep children and pets away from the installation area.
- All tools should be handled responsibly, especially power tools.
- Inspect the fence regularly and tighten any loose components to maintain its safety and performance.