

12

11

10

9

8

7

6

5

4

3

2

1

H

G

F

E

D

C

B

A

H

G

F

E

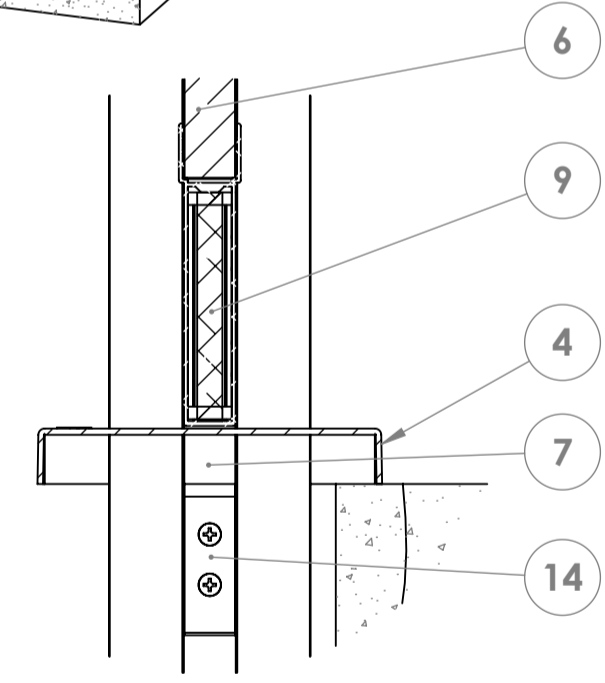
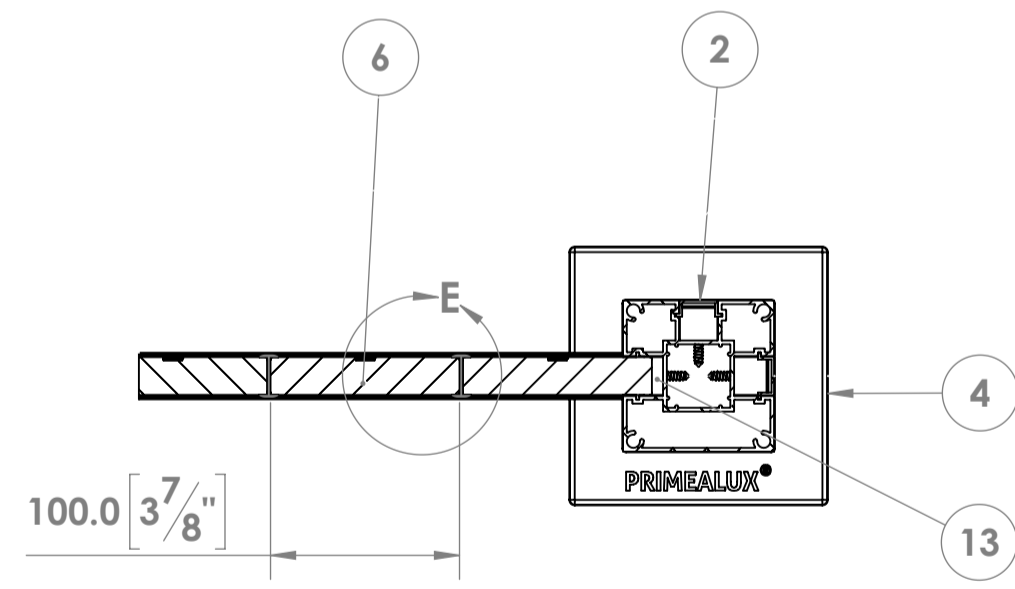
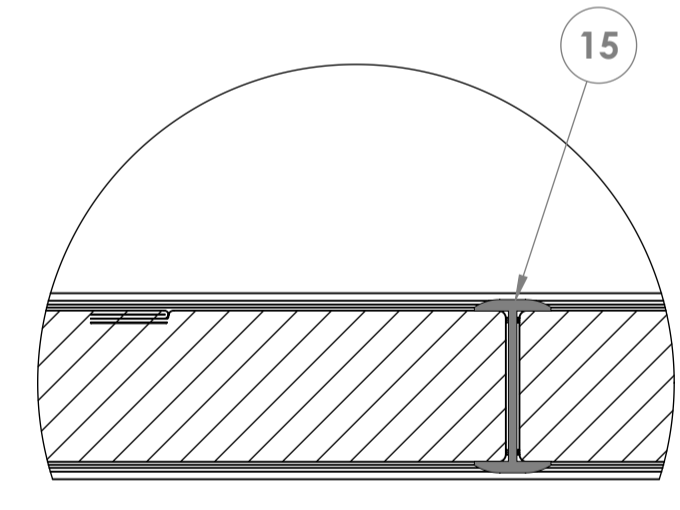
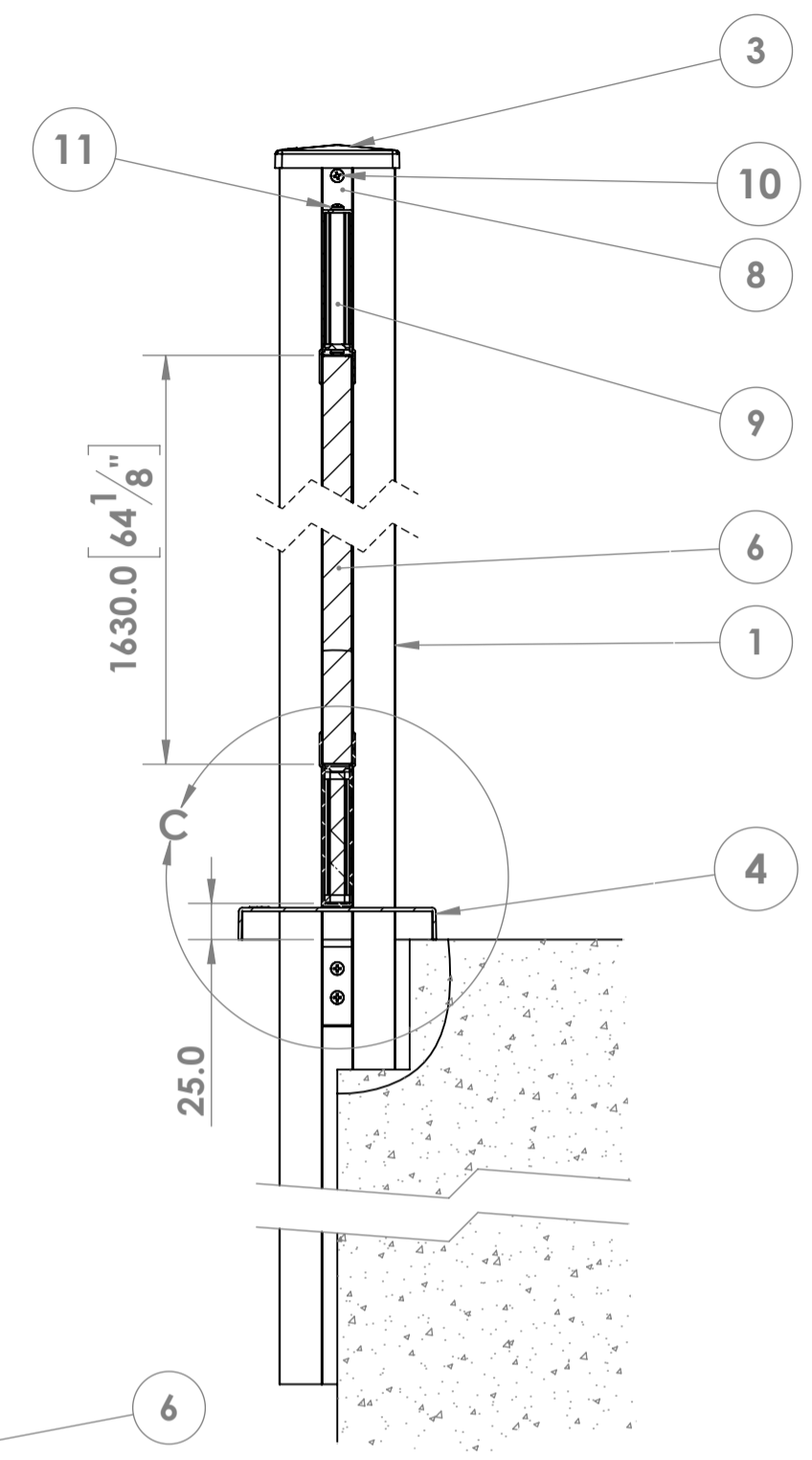
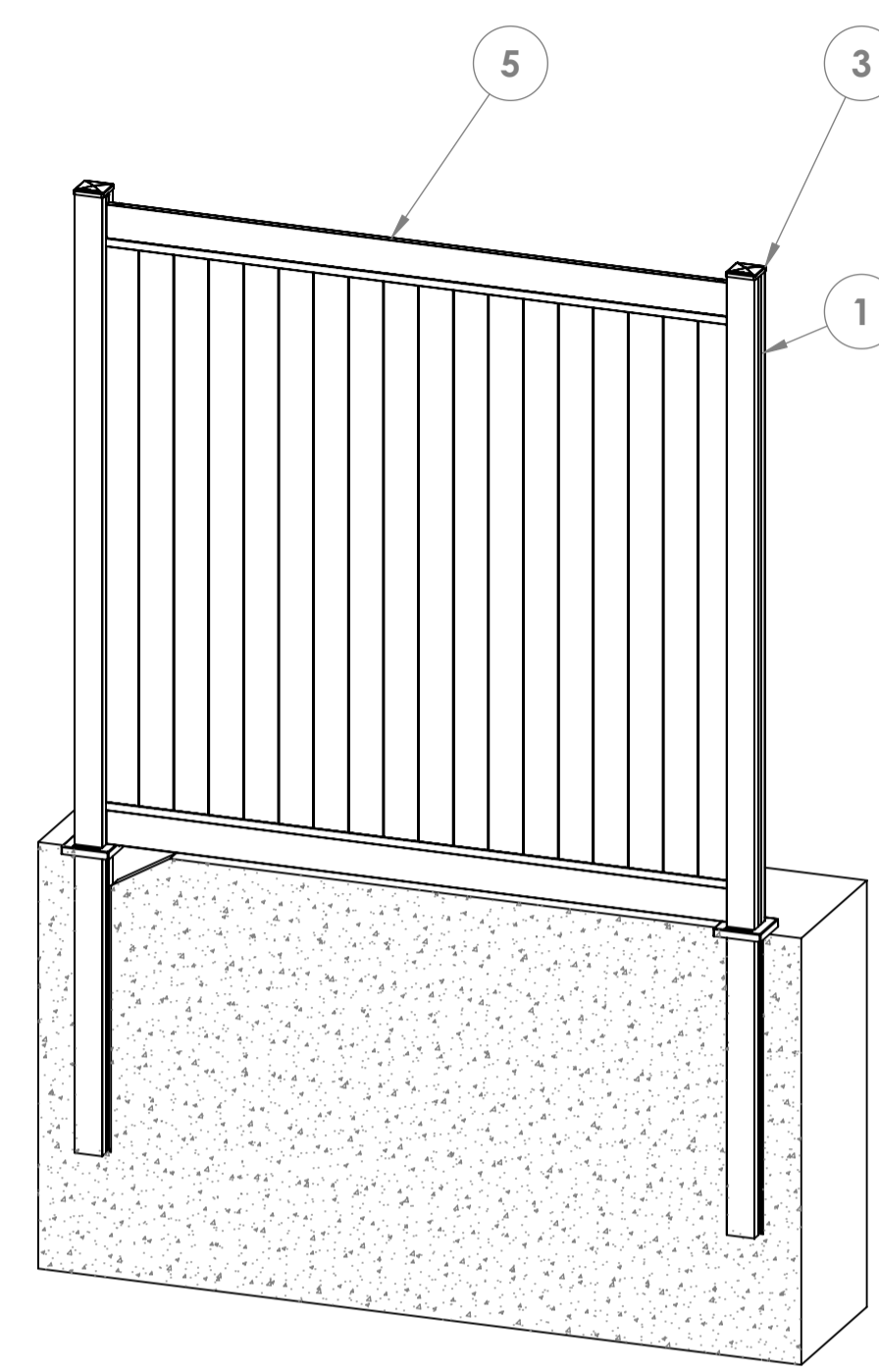
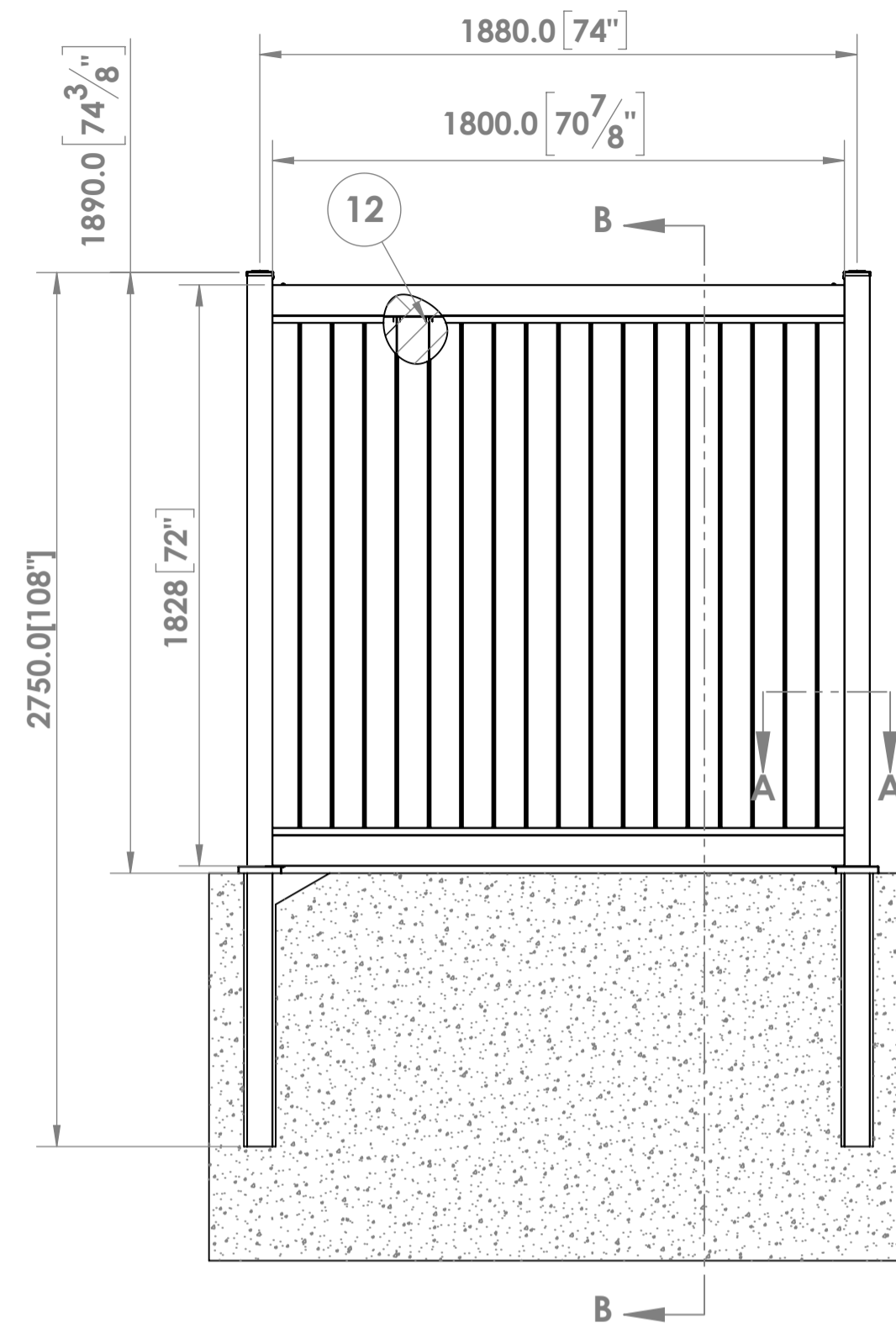
D

C

B

A

ITEM NO.	DESCRIPTION	CODE	SIZE (mm-inches)	QTY	FIGURE
1	POST	P8009	2750 108 1/4"	1	
2	6' POST COVER	PC06	1890 74 3/8"	1	
3	POST CAP	BPC	—	1	
4	BASE PLATE CAP	BC80	—	1	
5	RAIL (TOP/BOTTOM)	FRV06	1800 70 7/8"	2	
6	ALU SLAT 6' VERTICAL	S10064	1630 64 1/8"	18	
7	BOTTOM SPACER	SP025	25 1"	2	
8	TOP SPACER TO BE DRILLED ON SITE	SP035	35 mm 1 3/8"	2	
9	RAIL BRACKET 4"	RB4	90 3 35/64"	4	
10	PAN HEAD SCREW	FS4232	m4.2x32mm	2	
11	PAN HEAD SCREW	FS4219	m4.2x19mm	4	
12	VERTICAL SPACER	SPV015	15 mm 5/8"	17	
13	SPACER	SP005	5 3/16"	6	
14	ANGLE BRACKET (COMES PRE ASSEMBLED)	AB020	20 13/16"	3	
15	H RAIL	HV06	1590 62 5/8"	17	



DETAIL E  
SCALE 1 : 1

SECTION A-A  
SCALE 1 : 4

DETAIL C  
SCALE 1 : 3

SECTION B-B  
SCALE 1 : 5



NOTES :

- DIMENSIONS IN BRACKETS [ ] ARE IN INCHES.
- TOLERANCES: LINEAR: +-1 mm or [1/16"], ANGULAR: +-1 Deg.
- CONSULT LOCAL CONDITIONS, CODES FOR FOUNDATION.
- INSTALLATION TO BE COMPLETED PER MANUFACTURER'S SPECIFICATION.
- THIS DRAWING IS PROVIDED FOR PLANNING PURPOSES ONLY.
- SIZES ARE APPROXIMATED AND COULD VARY DEPENDING ON THE SYSTEM OF CHOICE, PLEASE REFER TO THE INSTALLATION MANUAL FOR MORE DETAILED DIMENSIONS.
- OVERALL WIDTH IS MEASURED FROM POST CENTER TO POST CENTER.

W 6' x H 6' UNDER GROUND PRIVACY PLUS VERTICAL FENCE

email: [customerservice@shapesunlimited.net](mailto:customerservice@shapesunlimited.net)  
website: [www.shapesunlimitedinc.com](http://www.shapesunlimitedinc.com)

12

11

10

9

8

7

6

5

4

3

2

1