

# Low-Profile Solar Attic Fan



## Kennedy Skylights New & Improved 35 Watt Solar Attic Fans

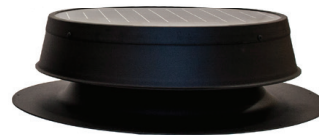
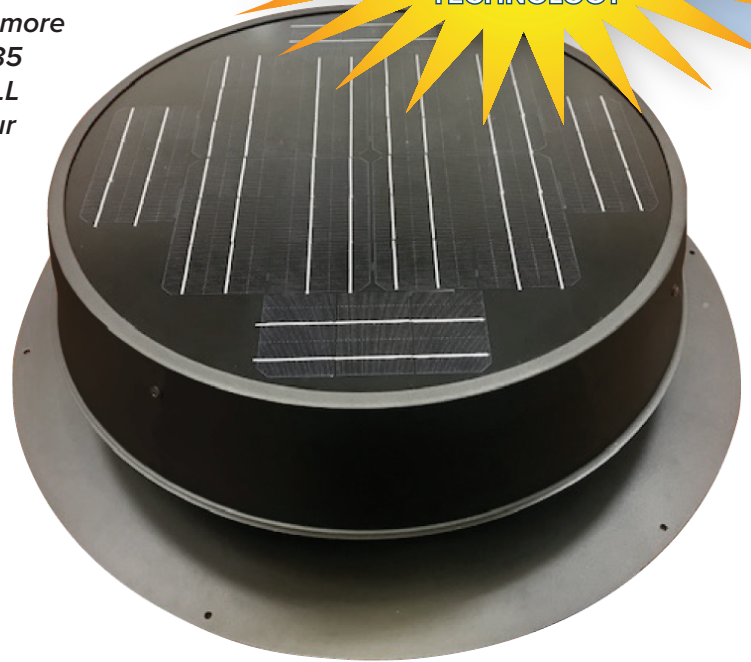
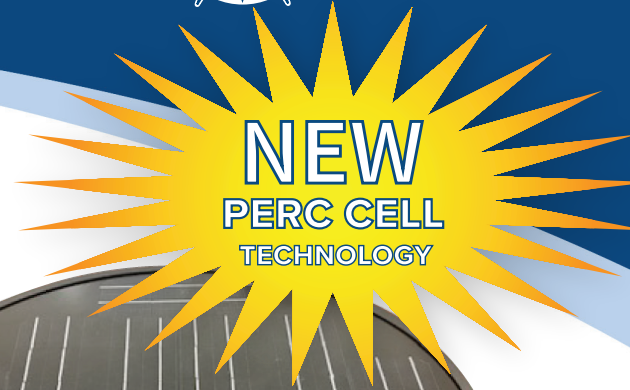
*The best just got better! Kennedy Skylights, the undisputed industry leader of solar powered attic fans, introduces the next leap in technology, our entire line of low profile fans are now 46% more powerful than previous models, the leap from 24 watts to 35 watts was made possible by new state of the art PERC CELL technology. Look no further than Kennedy Skylights for your reliable and affordable attic venting needs.*

### Nine Reasons to Buy Kennedy Skylight's Ultra Low Profile Solar Attic Fans.

1. Extends the life of roof shingles and underlayment
2. Reduces HVAC loads and A/C run times during summer
3. Helps Prevent ice damming during winter
4. Reduces damage caused by the build-up of attic moisture year-round
5. Commercial-grade aluminum components powder-coated inside & out for extra durability
6. Panel fits flush to better withstand HVHZ (High Velocity Hurricane Zones)
7. Outstanding 25-year Warranty on all components
8. Qualifies for Solar Tax Credits

### Options include:

- ▶ **Thermal Snap Switch**—allows the fan to turn on when the attic temperature reach 80°F and the fan to turn off when the temperature falls to 70°F
- ▶ **Fire Safety Switch**—required in some areas and specially designed to shut down airflow to the fan
- ▶ **Flashing Skirt**—required for tile roof applications to ensure a weather-tight fit
- ▶ **Turret Extension**—for accommodating higher profile S-style tile roofs



Ultra Low-Profile



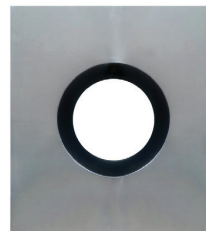
Tile Roof



Thermal Switch



Fire Safety Switch



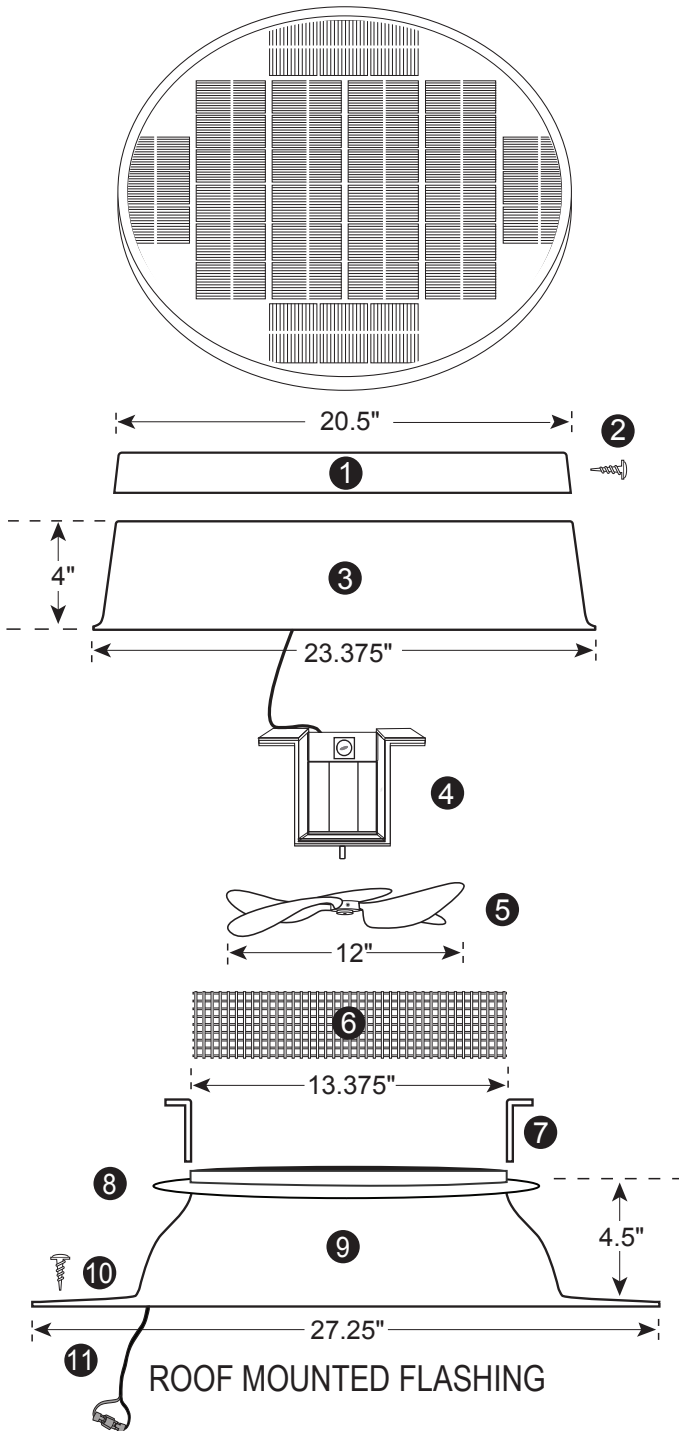
Flashing Skirt



Turret Extension



**\*Available in 3 colors, black, bronze and gray.\***



## Ultra Low-Profile Solar Attic Fan

**NOTE:** The unit comes fully assembled. This exploded view of the new Ultra Low-Profile Solar Attic Fan is for illustrative purposes only.

1. 35 watt Solar Panel
2. Four #8x.5" Stainless Steel Phillips Head Screws
3. Commercial-grade, Aluminum Hood
4. Ultra-quiet, continuous run DC Motor with Aluminum Motor Bracket
5. Precision Pitch Aluminum Fan Blade
6. Stainless Steel Debris/Critter Barrier
7. Rugged 11 Gauge Aluminum Hood Support Brackets
8. Storm Collar
9. Commercial-grade, Aluminum Flashing
10. Six #10x1.5" Stainless Steel Phillips Head Screws
11. (Optional) Pigtail Attachment for Thermal or Fire Safety Switch