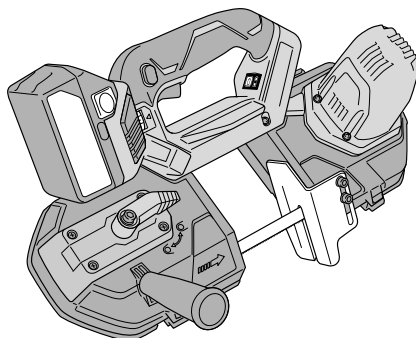


Model  
Modèle  
Modelo

## CB 18DBL

Cordless Band Saw  
Scie à ruban sans-fil  
Sierra de cinta inalámbrica



## SAFETY INSTRUCTIONS AND INSTRUCTION MANUAL

### **WARNING**

**IMPROPER OR UNSAFE** use of this power tool can result in death or serious bodily injury! This manual contains important information about product safety. Please read and understand this manual **BEFORE** operating the power tool. Please keep this manual available for other users and owners before they use the power tool. This manual should be stored in safe place.

## INSTRUCTIONS DE SECURITE ET MODE D'EMPLOI

### **AVERTISSEMENT**

Une utilisation **INCORRECTE OU DANGEREUSE** de cet outil motorisé peut entraîner la mort ou de sérieuses blessures corporelles !

Ce mode d'emploi contient d'importantes informations à propos de la sécurité de ce produit. Prière de lire et de comprendre ce mode d'emploi **AVANT** d'utiliser l'outil motorisé. Garder ce mode d'emploi à la disponibilité des autres utilisateurs et propriétaires avant qu'ils utilisent l'outil motorisé. Ce mode d'emploi doit être conservé dans un endroit sûr.

## INSTRUCCIONES DE SEGURIDAD Y MANUAL DE INSTRUCCIONES

### **ADVERTENCIA**

¡La utilización **INAPROPIADA O PELIGROSA** de esta herramienta eléctrica puede resultar en lesiones de gravedad o la muerte!

Este manual contiene información importante sobre la seguridad del producto. Lea y comprenda este manual **ANTES** de utilizar la herramienta eléctrica. Guarde este manual para que puedan leerlo otras personas antes de utilizar la herramienta eléctrica. Este manual debe ser guardado en un lugar seguro.

## IMPORTANT SAFETY INSTRUCTIONS

Read all of the safety precautions, warnings and operating instructions in the Instruction Manual before operating or maintaining this power tool.

Most accidents that result from power tool operation and maintenance are caused by the failure to observe basic safety rules or precautions. An accident can often be avoided by recognizing a potentially hazardous situation before it occurs, and by observing appropriate safety procedures.

Basic safety precautions are outlined in the "SAFETY" section of this Instruction Manual and in the sections which contain the operation and maintenance instructions.

Hazards that must be avoided to prevent bodily injury or machine damage are identified by WARNINGS on the power tool and in this Instruction Manual.

**NEVER** use this power tool in a manner that has not been specifically recommended by metabo HPT.

## MEANINGS OF SIGNAL WORDS

**WARNING** indicates a potentially hazardous situations which, if ignored, could result in death or serious injury.

**CAUTION** indicates a potentially hazardous situations which, if not avoided, may result in minor or moderate injury, or may cause machine damage.

**NOTE** emphasizes essential information.

# SAFETY

## GENERAL POWER TOOL SAFETY WARNINGS

### ⚠ **WARNING**

#### **Read all safety warnings and all instructions.**

Failure to follow the warnings and instructions may result in electric shock, fire and/or serious injury.

#### **Save all warnings and instructions for future reference.**

The term "power tool" in the warnings refers to your mains-operated (corded) power tool or battery-operated (cordless) power tool.

- 1) **Work area safety**
  - a) **Keep work area clean and well lit.**  
Cluttered or dark areas invite accidents.
  - b) **Do not operate power tools in explosive atmospheres, such as in the presence of flammable liquids, gases or dust.**  
Power tools create sparks which may ignite the dust or fumes.
  - c) **Keep children and bystanders away while operating a power tool.**  
Distractions can cause you to lose control.
- 2) **Electrical safety**
  - a) **Power tool plugs must match the outlet. Never modify the plug in any way. Do not use any adapter plugs with earthed (grounded) power tools.**  
Unmodified plugs and matching outlets will reduce risk of electric shock.
  - b) **Avoid body contact with earthed or grounded surfaces such as pipes, radiators, ranges and refrigerators.**  
There is an increased risk of electric shock if your body is earthed or grounded.
  - c) **Do not expose power tools to rain or wet conditions.**  
Water entering a power tool will increase the risk of electric shock.
  - d) **Do not abuse the cord. Never use the cord for carrying, pulling or unplugging the power tool. Keep cord away from heat, oil, sharp edges or moving parts.**  
Damaged or entangled cords increase the risk of electric shock.
  - e) **When operating a power tool outdoors, use an extension cord suitable for outdoor use.**  
Use of a cord suitable for outdoor use reduces the risk of electric shock.
  - f) **If operating a power tool in a damp location is unavoidable, use a residual current device (RCD) protected supply.**  
Use of an RCD reduces the risk of electric shock.
- 3) **Personal safety**
  - a) **Stay alert, watch what you are doing and use common sense when operating a power tool. Do not use a power tool while you are tired or under the influence of drugs, alcohol or medication.**

A moment of inattention while operating power tools may result in serious personal injury.

- b) Use personal protective equipment. Always wear eye protection.**

Protective equipment such as dust mask, non-skid safety shoes, hard hat, or hearing protection used for appropriate conditions will reduce personal injuries.

- c) Prevent unintentional starting. Ensure the switch is in the off-position before connecting to power source and/or battery pack, picking up or carrying the tool.**

Carrying power tools with your finger on the switch or energising power tools that have the switch on invites accidents.

- d) Remove any adjusting key or wrench before turning the power tool on.**

A wrench or a key left attached to a rotating part of the power tool may result in personal injury.

- e) Do not overreach. Keep proper footing and balance at all times.**

This enables better control of the power tool in unexpected situations.

- f) Dress properly. Do not wear loose clothing or jewellery. Keep your hair, clothing and gloves away from moving parts.**

Loose clothes, jewellery or long hair can be caught in moving parts.

- g) If devices are provided for the connection of dust extraction and collection facilities, ensure these are connected and properly used.**

Use of dust collection can reduce dust-related hazards.

#### **4) Power tool use and care**

- a) Do not force the power tool. Use the correct power tool for your application.**

The correct power tool will do the job better and safer at the rate for which it was designed.

- b) Do not use the power tool if the switch does not turn it on and off.**

Any power tool that cannot be controlled with the switch is dangerous and must be repaired.

- c) Disconnect the plug from the power source and/or the battery pack from the power tool before making any adjustments, changing accessories, or storing power tools.**

Such preventive safety measures reduce the risk of starting the power tool accidentally.

- d) Store idle power tools out of the reach of children and do not allow persons unfamiliar with the power tool or these instructions to operate the power tool.**

Power tools are dangerous in the hands of untrained users.

- e) Maintain power tools. Check for misalignment or binding of moving parts, breakage of parts and any other condition that may affect the power tool's operation.**

**If damaged, have the power tool repaired before use.**

Many accidents are caused by poorly maintained power tools.

- f) Keep cutting tools sharp and clean.**

Properly maintained cutting tools with sharp cutting edges are less likely to bind and are easier to control.

- g) Use the power tool, accessories and tool bits etc. in accordance with these instructions, taking into account the working conditions and the work to be performed.**

Use of the power tool for operations different from those intended could result in a hazardous situation.

#### **5) Battery tool use and care**

- a) Recharge only with the charger specified by the manufacturer.**

A charger that is suitable for one type of battery pack may create a risk of fire when used with another battery pack.

- b) Use power tools only with specifically designated battery packs.**

Use of any other battery packs may create a risk of injury and fire.

- c) When battery pack is not in use, keep it away from other metal objects, like paper clips, coins, keys, nails, screws or other small metal objects, that can make a connection from one terminal to another.**

Shorting the battery terminals together may cause burns or a fire.

- d) Under abusive conditions, liquid may be ejected from the battery; avoid contact. If contact accidentally occurs, flush with water. If liquid contacts eyes, additionally seek medical help.**

Liquid ejected from the battery may cause irritation or burns.

#### **6) Service**

- a) Have your power tool serviced by a qualified repair person using only identical replacement parts.**

This will ensure that the safety of the power tool is maintained.

#### **–WARNING–**

To reduce the risk of injury, user must read instruction manual.

## SPECIFIC SAFETY RULES AND SYMBOLS

- 1. Hold power tool by insulated gripping surfaces, when performing an operation where the cutting accessory may contact hidden wiring.**

Cutting accessory contacting a "live" wire may make exposed metal parts of the power tool "live" and could give the operator an electric shock.

- 2. Securely fasten the workpiece to be cut.**

If the workpiece is not securely fastened, it may shift position and cause damage to the band saw blade and/or injury.

- 3. ALWAYS wear ear protectors when using the tool for extended periods.**

Prolonged exposure to high intensity noise can cause hearing loss.



- 4. NEVER touch the band saw blade with bare hands after operation.**

- 5. Because the cordless band saw operates by battery power, be aware of the fact it can begin to operate at any time.**

- 6. When working at elevated locations, clear the area of all other people and be aware of conditions below you.**

- 7. NEVER touch rotating parts.**

**NEVER** place your hands, fingers or other body parts near the tool's rotating parts.



- 8. NEVER operate without all guards in place.**

**NEVER** operate this tool without all guards or safety features in place and in proper working order. If maintenance or servicing requires the removal of a guard or safety feature, be sure to replace the guard or safety feature before resuming operation of the tool.

- 9. Use right tool.**

Don't force small tool or attachment to do the job of a heavy-duty tool.

Don't use tool for purpose not intended—for example— don't use band saw for cutting tree limbs or logs.

- 10. NEVER use a power tool for applications other than those specified.**

**NEVER** use a power tool for applications other than those specified in the Instruction Manual.

- 11. Handle tool correctly.**

Operate the tool according to the instructions provided herein. Do not drop or throw the tool.

**NEVER** allow the tool to be operated by children, individuals unfamiliar with its operation or unauthorized personnel.

- 12. Keep all screws, bolts and covers tightly in place.**  
Keep all screws, bolts, and plates tightly mounted. Check their condition periodically.

- 13. Do not use power tools if the plastic housing or handle is cracked.**

Cracks in the tool's housing or handle can lead to electric shock. Such tools should not be used until repaired.

- 14. Band saw blade and accessories must be securely mounted to the tool.**

Prevent potential injuries to yourself or others. Band saw blade and accessories which have been mounted to the tool should be secure and tight.

- 15. Keep motor air vent clean.**

The tool's motor air vent must be kept clean so that air can freely flow at all times. Check for dust build-up frequently.

- 16. NEVER use a tool which is defective or operating abnormally.**

If the tool appears to be operating unusually, making strange noises, or otherwise appears defective, stop using it immediately and arrange for repairs by a metabo HPT authorized service center.

- 17. NEVER leave tool running unattended. Turn power off.**

Don't leave tool until it comes to a complete stop.

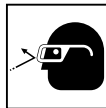
- 18. Carefully handle power tools.**

Should a power tool be dropped or struck against hard materials inadvertently, it may be deformed, cracked, or damaged.

- 19. Do not wipe plastic parts with solvent.**

Solvents such as gasoline, thinner benzine, carbon tetrachloride, and alcohol may damage and crack plastic parts. Do not wipe them with such solvents. Wipe plastic parts with a soft cloth lightly dampened with soapy water and dry thoroughly.

- 20. ALWAYS wear eye protection that meets the requirement of the latest revision of ANSI Standard Z87.1.**



- 21. ALWAYS wear a mask or respirator to protect yourself from dust or potentially harmful particles generated during operation.**

- 22. ALWAYS firmly grip the handle while operating.**

- 23. ALWAYS be careful with buried object such as an underground wiring.**

Touching these active wiring or electric cable with this tool, you may receive an electric shock.

Confirm if there are any buried object such as electric cable within the wall, floor or ceiling where you are going to operate here after.

24. Definitions for symbols used on this tool
- V .....volts
- .....direct current
- SFPM.....surface feet
- No .....no load speed
- I .....Switching ON
- O .....Switching OFF
- ⊕ .....Tighten band saw blade
- ⊖ .....Loosen band saw blade
- .....Direction of band saw blade rotation

## ADDITIONAL SAFETY WARNINGS

1. Always hold the tool firmly with both hands on handle and side handle (Fig. 1). Do not touch the metal part.

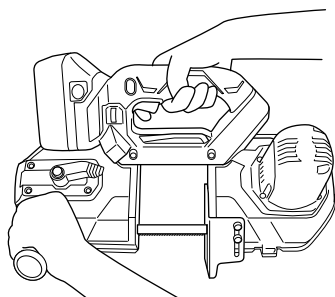


Fig. 1

2. Make sure that the area to be cut is absolutely free of any hidden obstructions including electrical wiring, water, or gas pipes. Cutting into the aforementioned may result in electric shock or short circuit, gas leak or other hazards that can cause serious accidents or injuries.
3. Make sure to securely hold the tool during operation. Failure to do so can result in accidents or injuries.
4. Setting up and checking the work environment. Check if the work environment is suitable by following the precaution.
5. Dust particles such as silica or asbestos are hazardous to your health. When working with materials containing these components, take appropriate dust-proofing measures.
6. Working with metal can cause sparks. Make sure there are no flammable and combustible materials in the vicinity and that they are stored in a safe location.
7. Prior to operation, be sure the blade pulley cover is closed and fastened with screws. Operating the tool with the blade pulley cover open may result in injury.
8. During operation, do not put your hands, face, or other body parts near the rotating band saw blade or other rotating parts. Doing so may result in injury.
9. If the main unit is accidentally dropped or suffers any impact, carefully inspect the band saw blade, the unit, etc. to be sure there are no damages, cracks, or deformations. Injury may result if there are any damages, cracks, or deformations.
10. During operation, if the unit is not running smoothly, or there are abnormal sounds or vibrations, promptly switch off the unit, discontinue use and contact a metabo HPT Authorized Service Center for inspection and/or repairs. Continuing use under these conditions may result in injury.
11. When using this unit continuously, the unit may overheat, leading to damage in the motor and switch. Please leave it without using it for approximately 15 minutes.
12. Follow the instruction manual and make sure that the band saw blade and accessories are properly installed. Improper installation may result in injury from parts coming loose.
13. Securely fasten the workpiece to be cut. If the workpiece is not securely fastened, it may shift position and cause damage to the band saw blade and/or injury.
14. To avoid having the band saw blade clamped between the cut surfaces during or immediately after cutting, set up a support stand to bear the weight of the workpiece, placing it near the section to be cut. If the band saw blade becomes clamped, it may result in injury.
15. If the section to be cut off is large, set up another stable support stand to bear the weight of that section as well. Not using such a support may result in injury.
16. During operation, do not wear cloth work gloves or other similar hand protection that may get caught in the unit. Getting caught in the rotating section of the tool may result in injury.
17. Prior to operation, verify the safety of the surrounding area and run the blade briefly to make sure that there are no abnormalities in the vibrations of the unit or in the band saw blade. If there are such abnormalities, unexpected movements may occur and cause injury.
18. When working in a high location, ensure that there are no people below. Dropping the workpiece or the cordless tool from a high location may result in an accident.
19. Do not apply any sudden impact to the workpiece with the band saw blade. Doing so may damage the band saw blade and/or result in injury.

20. Use the product's own weight or press gently to cut a workpiece.  
Applying unnecessary force while cutting can result in detachment of or damage to the band saw blade which may cause injury.
21. Do not touch the band saw blade, the workpiece, or shavings with bare hands immediately after cutting, as they will be hot.  
Doing so may result in burns.
22. Remove any shavings adhering to the band saw blade or blade pulley rubbers as well as any shavings that accumulates inside the frame.  
The shavings may cause the band saw blade to detach or slip, and result in injury.
23. Make sure the blade pulley cover is properly attached before use.  
If the band saw blade is damaged or comes loose, it may result in injury.
24. Verify that the blade pulley cover and the band saw blade are not in contact with each other.
25. If there is an abnormality with the blade pulley cover and the switch lock won't return to its original position, promptly discontinue use and contact a metabo HPT Authorized Service Center for repairs.
26. Use of a band saw blade other than one authorized by the manufacture or a band saw blade with any abnormalities may result in damage to the band saw blade and/or injury.
27. When switching the power on, verify that the band saw blade is not in contact with the workpiece to be cut or any surrounding objects.  
Failure to do so may result in the main unit being dropped and/or injury.
28. In order to prevent accidents, when taking a break from operation or after operation, be sure to switch off the power and remove the battery from the cordless tool.
29. If the band saw blade locks up while cutting, promptly switch off the power and stop it from running.  
Failure to do so may result in damage to the band saw blade.
30. The motor may stop in the event the tool is overloaded. In this should occur, release the tool's switch and eliminate the cause of the overload.
31. Do not leave the tool running unattended on the floor, table or other locations. Doing so may result in injury.
32. For cutting efficiency, switch the mode of the application tool according to task conditions and workpieces to be cut.
33. After use, be sure not to place the tool near chips or sawdust before it comes to a full stop as the tool may suck in those particles.
34. After use, if the unit will not be used for a long period, remove the band saw blade from the unit body and store the band saw blade.

If the band saw blade is left installed in the unit body for a long period, the lifespan of the band saw blade will become shorter.

## IMPORTANT SAFETY INSTRUCTIONS FOR BATTERY CHARGER

### WARNING

**Death or serious bodily injury could result from improper or unsafe use of battery chargers. To avoid these risks, follow these basic safety instructions:**

Battery and battery charger are not included with this product

### READ ALL INSTRUCTIONS

1. This manual contains important safety and operating instructions for battery charger Model UC18YFSL.
2. Before using battery charger, read all instructions and cautionary markings on (1) battery charger, (2) battery, and (3) product using battery.
3. To reduce risk of injury, charge metabo HPT rechargeable battery type BSL18 and BSL14 series. Other type of batteries may burst causing personal injury and damage.
4. Use of an attachment not recommended or sold by the battery charger manufacturer may result in a risk of fire, electric shock, or injury to persons.
5. To reduce risk of damage to electric plug and cord, pull by plug when disconnecting battery charger.
6. Make sure cord is located so that it will not be stepped on, tripped over, or otherwise subjected to damage or stress.
7. An extension cord should not be used unless absolutely necessary. Use of improper extension cord could result in a risk of fire and electric shock. If extension cord must be used make sure:
  - a. That blades of extension cord are the same number, size, and shape as those of plug on battery charger:
  - b. That extension cord is properly wired and in good electrical condition; and
  - c. That wire size is large enough for AC ampere rating of battery charger as specified in Table 1.

Table 1  
RECOMMENDED MINIMUM AWG SIZE FOR  
EXTENSION CORDS FOR BATTERY CHARGERS

AC input rating Ampere*		AWG size of cord			
Equal to or greater than	but less than	Length of cord, feet (meter)			
		25 (7.5)	50 (15)	100 (30)	150 (45)
0	2	18	18	18	16
2	3	18	18	16	14
3	4	18	18	16	14

- \* If the input rating of a battery charger is given in watts rather than in amperes, the corresponding ampere rating is to be determined by dividing the wattage rating by the voltage rating—for example:

$$\frac{1,250 \text{ watts}}{125 \text{ volts}} = 10 \text{ amperes}$$

8. Do not operate battery charger with damaged cord or plug—replace them immediately.
9. Do not operate battery charger if it has received a sharp blow, been dropped, or otherwise damaged in any way; take it to a qualified serviceman.
10. Do not disassemble battery charger; take it to a qualified serviceman when service or repair is required. Incorrect reassembly may result in a risk of electric shock or fire.
11. To reduce risk of electric shock, unplug charger from receptacle before attempting any maintenance or cleaning. Removing the battery will not reduce this risk.

### IMPORTANT SAFETY INSTRUCTIONS FOR USE OF THE BATTERY AND BATTERY CHARGER

You must charge the battery before you can use the power tool. Before using the model UC18YFSL battery charger, be sure to read all instructions and cautionary statements on it, the battery and in this manual.

#### **⚠ CAUTION**

**USE ONLY metabo HPT BATTERY TYPE BSL1850. OTHER TYPES OF BATTERIES MAY BURST AND CAUSE INJURY!**

Follow these instructions to avoid the risk of injury:

#### **⚠ WARNING**

**Improper use of the battery or battery charger can lead to serious injury. To avoid these injuries:**

1. **NEVER** disassemble the battery.
2. **NEVER** incinerate the battery, even if it is damaged or is completely worn out. The battery can explode in a fire.
3. **NEVER** short-circuit the battery.

4. **NEVER** insert any objects into the battery charger's air vents. Electric shock or damage to the battery charger may result.
5. **NEVER** charge outdoors. Keep the battery away from direct sunlight and use only where there is low humidity and good ventilation.
6. **NEVER** charge when the temperature is below 32°F (0°C) or above 104°F (40°C). Charging the battery at temperatures outside the range of 32°F – 104°F (0°C – 40°C) may prevent proper charging and reduce battery life.
7. **NEVER** connect two battery chargers together.
8. **NEVER** insert foreign objects into the hole for the battery or the battery charger.
9. **NEVER** use a booster transformer when charging.
10. **NEVER** use an engine generator or DC power to charge.
11. **NEVER** store the battery or battery charger in places where the temperature may reach or exceed 104°F (40°C) such as inside metal box or car.
12. **NEVER** expose the battery or battery charger to rain or wet conditions.
13. **ALWAYS** operate charger on standard household electrical power (120 volts). Using the charger on any other voltage may overheat and damage the charger.
14. **ALWAYS** wait at least 15 minutes between charges to avoid overheating the charger.
15. **ALWAYS** disconnect the power cord from its receptacle when the charger is not in use.

#### **CAUTION ON LITHIUM-ION BATTERY**

To extend the lifetime, the lithium-ion battery equips with the protection function to stop the output.

In the cases of 1 to 3 described below, when using this product, even if you are pulling the switch, the motor may stop. This is not the trouble but the result of protection function.

1. When the battery power remaining runs out, the motor stops.  
In such case, charge it up immediately.
2. If the tool is overloaded, the motor may stop. In this case, release the switch of tool and eliminate causes of overloading. After that, you can use it again.

3. If the battery is overheated under overload work, the battery power may stop.  
In this case, stop using the battery and let the battery cool. After that, you can use it again.

Furthermore, please heed the following warning and caution.

## **⚠ WARNING**

In order to prevent any battery leakage, heat generation, smoke emission, explosion and ignition beforehand, please be sure to heed the following precautions.

1. Make sure that swarf and dust do not collect on the battery.
  - During work make sure that swarf and dust do not fall on the battery.
  - Make sure that any swarf and dust falling on the power tool during work do not collect on the battery.
  - Do not store an unused battery in a location exposed to swarf and dust.
  - Before storing a battery, remove any swarf and dust that may adhere to it and do not store it together with metal parts (screws, nails, etc.).
2. Do not pierce battery with a sharp object such as a nail, strike with a hammer, step on, throw or subject the battery to severe physical shock.
3. Do not use an apparently damaged or deformed battery.
4. Do not use the battery in reverse polarity.
5. Do not connect directly to an electrical outlets or car cigarette lighter sockets.
6. Do not use the battery for a purpose other than those specified.
7. If the battery charging fails to complete even when a specified recharging time has elapsed, immediately stop further recharging.
8. Do not put or subject the battery to high temperatures or high pressure such as into a microwave oven, dryer, or high pressure container.
9. Keep away from fire immediately when leakage or foul odor are detected.
10. Do not use in a location where strong static electricity generates.
11. If there is battery leakage, foul odor, heat generated, discolored or deformed, or in any way appears abnormal during use, recharging or storage, immediately remove it from the equipment or battery charger, and stop use.
12. Do not immerse the battery or allow any fluids to flow inside. Conductive liquid ingress, such as water, can cause damage resulting in fire or explosion. Store your battery in a cool, dry place, away from combustible and flammable items. Corrosive gas atmospheres must be avoided.

## **⚠ CAUTION**

1. If liquid leaking from the battery gets into your eyes, do not rub your eyes and wash them well with fresh clean water such as tap water and contact a doctor immediately.  
If left untreated, the liquid may cause eye-problems.
2. If liquid leaks onto your skin or clothes, wash well with clean water such as tap water immediately.  
There is a possibility that this can cause skin irritation.
3. If you find rust, foul odor, overheating, discolor, deformation, and/or other irregularities when using the battery for the first time, do not use and return it to your supplier or vendor.

## **⚠ WARNING**

If an electrically conductive foreign object enters the terminals of the lithium ion battery, a short-circuit may occur resulting in the risk of fire. Please observe the following matters when storing the battery.

- **Do not place electrically conductive cuttings, nails, steel wire, copper wire or other wire in the storage case.**
- **Either install the battery in the power tool or store by securely pressing into the battery cover until the ventilation holes are concealed to prevent short-circuits (See Fig. 1).**



## REGARDING LITHIUM-ION BATTERY TRANSPORTATION

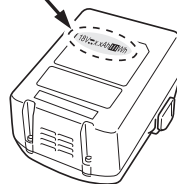
When transporting a lithium-ion battery, please observe the following precautions.

### **⚠ WARNING**

Notify the transporting company that a package contains a lithium-ion battery, inform the company of its power output and follow the instructions of the transportation company when arranging transport.

- Lithium-ion batteries that exceed a power output of 100Wh are considered to be in the freight classification of Dangerous Goods and will require special application procedures.
- For transportation abroad, you must comply with international law and the rules and regulations of the destination country.

Power Output  
□□□Wh  
2 to 3 digit number



**SAVE THESE INSTRUCTIONS  
AND  
MAKE THEM AVAILABLE TO OTHER USERS  
AND  
OWNERS OF THIS TOOL!**

# FUNCTIONAL DESCRIPTION

## NOTE

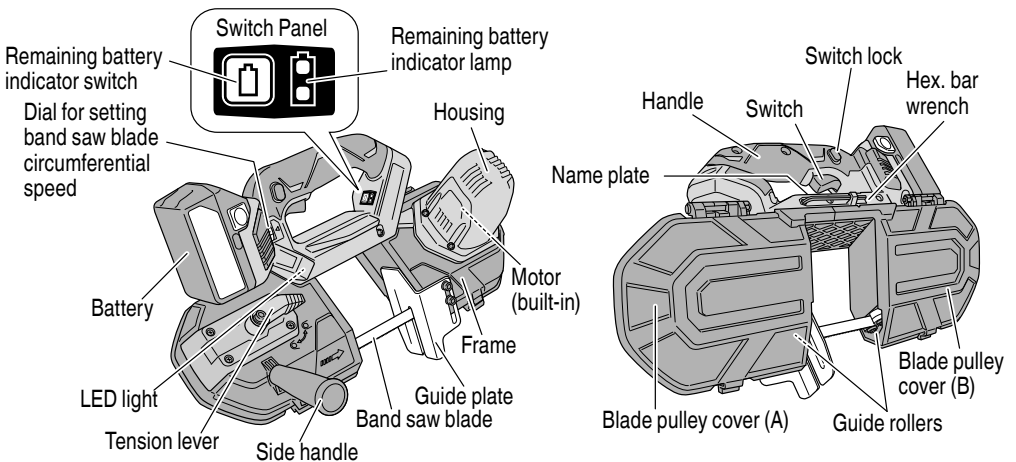
The information contained in this Instruction Manual is designed to assist you in the safe operation and maintenance of the power tool.

**NEVER** operate, or attempt any maintenance on the tool unless you have first read and understood all safety instructions contained in this manual.

Some illustrations in this Instruction Manual may show details or attachments that differ from those on your own power tool.

## NAME OF PARTS

1. Cordless Band Saw (CB18DBL)  
Battery and battery charger are not included with this product.



- Battery (BSL1850)

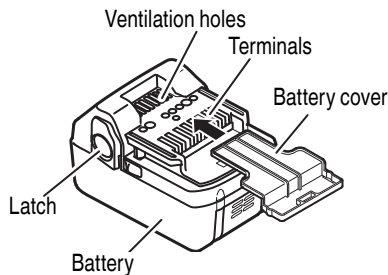


Fig. 2

- 2 Battery Charger (UC18YFSL)  
Battery and battery charger are not included with this product.

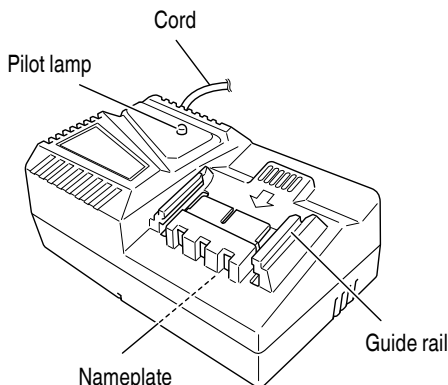


Fig. 3

## SPECIFICATIONS

### 1. Cordless Band Saw

Model	CB18DBL	
Voltage	18 V	
Type of motor	Fan-cooled DC brushless motor	
Band Saw Blade dimensions	35 – 3/8" × 1/2" × 0.020" (900 × 12.5 × 0.5 mm)	
No-Load Band Saw blade speed	Standard Mode (1 – 5)	260 – 640 SFPM (80 – 195 m/min)
	Auto Mode (A)	395 SFPM (120 m/min)
Max. cutting capacity	Round pipe	3 – 1/4" (83 mm)
	Square pipe	3 – 1/8" × 3 – 1/8" (80 mm × 80 mm)
Overall length	16 – 1/4" (413 mm)	
Weight (with BSL1850)	7.7 lbs. (3.5 kg)	

### NOTE

Due to metabo HPT's continuing program of research and development, the specifications herein are subject to change without prior notice.

### Electronic control

- Soft-start
- Overload protection  
This protection feature cuts off the power to the motor in the event of overloading of motor or a conspicuous reduction in rotational speed during operation. When the overload protection feature has been activated, the motor may stop. In this case, release the tool switch and eliminate causes of overloading. After that you can use it again.

- Overheat protection  
This protection feature cuts off the power to the motor and stops the power tool in the event of overheating of motor during operation. When the overheat protection feature has been activated, the motor may stop. In this case, release the tool switch and cool it down in a few minutes. After that you can use it again.

# ASSEMBLY AND OPERATION

## APPLICATIONS

- Cutting various types of soft steel materials including conduit pipes, stainless steel pipes, lining steel pipes and steel rods
- Cutting nonferrous metal materials including power and communication cables and aluminum window frames
- Cutting plastic (thermoplastic material cannot be cut as the band saw blade may become wedged in the material which is prone to melting when heated by cutting friction)

## REMOVAL AND INSTALLATION METHOD OF BATTERY

Battery and battery charger are not included with this product.

1. Battery removal  
Hold the handle tightly and push the battery latch to remove the battery (See Fig. 4).

**CAUTION**  
Never short-circuit the battery.

2. Battery installation  
Insert the battery while observing its polarities (see Fig. 4).

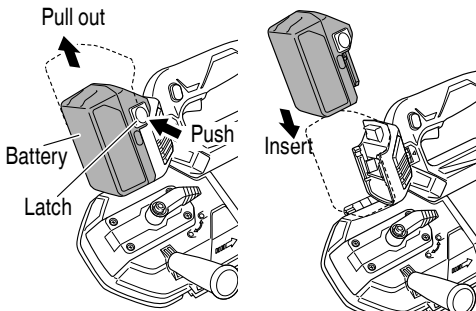


Fig. 4

## CHARGING METHOD

Before using the power tool, charge the battery as follows. Battery and battery charger are not included with this product.

### NOTE

Before plugging into the receptacle, make sure the following points.

- The power source voltage is stated on the nameplate.
- The cord is not damaged.

### WARNING

Do not charge at voltage higher than indicated on the nameplate.

If charged at voltage higher than indicated on the nameplate, the charger will burn up.

1. Connect the charger's power cord to a receptacle. When the power cord is connected, the charger's pilot lamp will blink in red. (At 1-second intervals)



### WARNING

Do not use the electrical cord if damaged. Have it repaired immediately.

2. Insert the battery into the charger. Firmly insert the battery into the charger as shown in Fig. 5.

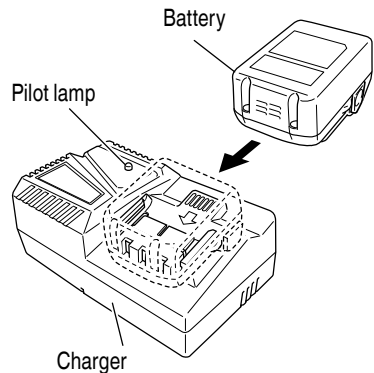


Fig. 5

3. Charging  
When the battery is connected to the battery charger, charging will commence and the pilot lamp will light in red. (See Table 2)

### NOTE

If the pilot lamp flickers in red, pull out the plug from the receptacle and check if the battery is properly mounted.

When the battery is fully charged, the pilot lamp will blink in red slowly. (At 1-second intervals) (See Table 2)

- (1) Pilot lamp indication  
The indications of the pilot lamp will be as shown in Table 2, according to the condition of the charger or the rechargeable battery.



Remove the cord or plug from the power and then connect it again after 30 seconds or so. If this does not cause the pilot lamp to blink in red (every second), please take the charger to the metabo HPT Authorized Service Center.

## PRIOR TO OPERATION

1. Preparing and checking the work environment  
Make sure that the work site meets all the conditions laid forth in the precautions.
2. Installing the side handle  
Be sure to install the side handle and use both hands while operating. Failure to do so may result in injury. (See Fig. 6)

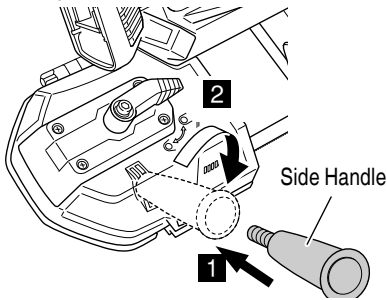


Fig. 6

3. Checking the battery  
Make sure that the battery is installed firmly. If it is at all loose it could come off and cause an accident.
4. Hex. bar wrench storage  
The included Hex. Bar wrench can be stored in the main unit. Store the tool to prevent losing it. (See Fig. 7)

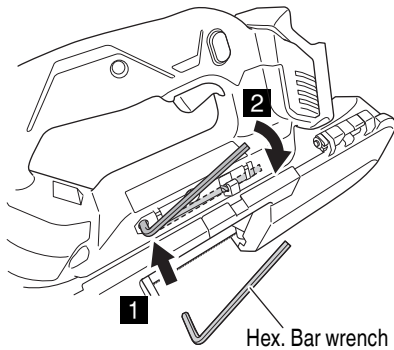


Fig. 7

5. Guide plate protrusion adjustment

### ⚠ CAUTION

- Be sure to switch power OFF and disconnect the battery from the body when adjusting protrusion of guide plate.

In the ordinary operation, protrude the guide plate to the A side fully.

Loosen two Hex. socket bolts with the attached Hex. bar wrench, then slide the guide plate and secure it by tightening two Hex. socket bolts firmly.

When the guide plate strikes against the obstacles like a wall or the like at the finishing of a cut, slide it at the appropriate position. (See Fig. 8)

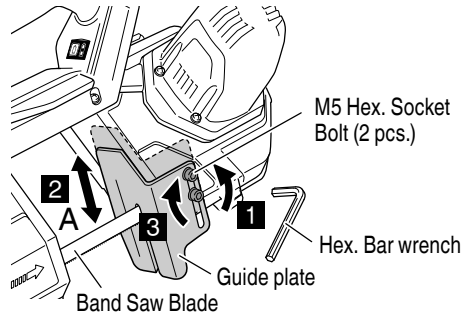


Fig. 8

6. Switch operation (Fig. 9)  
Drawing the switch while pressing the switch lock to either direction indicated by arrow will revolve the band saw blade while lighting up the LED light. After the switch is activated and remains drawn, the band saw blade will continue revolving even if the Switch Lock is released. In addition, the LED light will remain lit. When you release the switch, the revolution of the band saw blade will stop and the LED light will automatically be extinguished in approximately 15 seconds.

### ⚠ CAUTION

Do not lock directly into the light from the LED lamp. Continuous and direct exposure to the light from the LED lamp can injure your eyes.

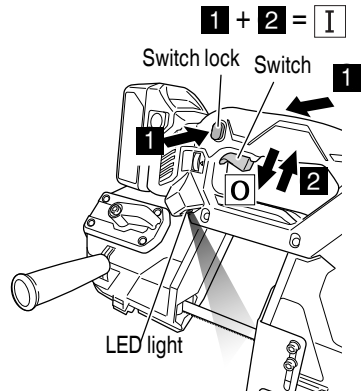





Fig. 9

**NOTE**

- Using a soft cloth, wipe off any foreign matter that has adhered to the lens of the LED light, being careful not to scratch the lens.  
Scratches on the LED light may reduce the brightness of the light.
- When cleaning the lens of the LED light, do not wipe with gasoline, paint thinner, etc.  
Doing so will damage the lens.

7. About remaining battery indicator  
When pressing the remaining battery indicator switch, the remaining battery indicator lamp lights and the battery remaining power can be checked. (Fig. 10) When releasing your finger from the remaining battery indicator switch, the remaining battery indicator lamp goes off. The Table 5 shows the state of remaining battery indicator lamp and the battery remaining power.

Table 5

State of lamp	Battery Remaining Power
	The battery remaining power is enough.
	The battery remaining power is a half.
	The battery remaining power is nearly empty. Re-charge the battery soonest possible.

As the remaining battery indicator shows somewhat differently depending on ambient temperature and battery characteristics, read it as a reference.

Remaining battery indicator switch

Remaining battery indicator lamp

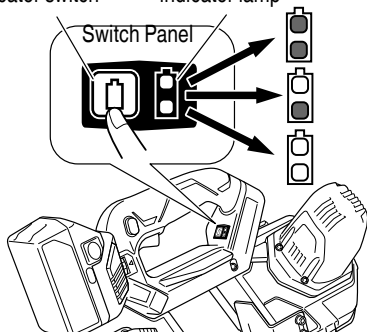


Fig. 10

**NOTE**

- Do not give a strong shock to the switch panel or break it. It may lead to a trouble.
- To save the battery power consumption, the remaining battery indicator lamp lights while pressing the remaining battery indicator switch.
- Unless the power is switched on after installing the battery to the unit, remaining battery indicator lamp will not light up when the remaining battery indicator switch is pressed.

8. Adjusting operating speed (Fig. 11)

**⚠ CAUTION**

**Use the band saw blade circumferential speed setting dial to select the circumferential speed best suited for the workpiece.**

**Using a band saw blade circumferential speed unsuited to cut a workpiece will not only negatively affect cutting precision, but can also cause damage to the band saw blade.**

This unit is equipped with an electronic control circuit that allows the circumferential speed of the band saw blade to be freely adjusted.

Prior to operation, use the band saw blade circumferential speed setting dial to set a mode that suits the properties, thickness and task conditions of the workpiece being cut.

- In Standard Mode, the circumferential speed or the band saw blade can be freely set from 1 to 5 on the dial.

On the dial, 1 is the lowest speed and 5 is the highest speed.

In Standard Mode, the circumferential speed that is set with the dial is maintained even when the load changes.

- In AUTO Mode ("A" on the dial), noise can be reduced and the duration of operation can be extended by lowering the circumferential speed when there is no load.

In AUTO Mode, if a load is applied during operation, the circumferential speed is automatically increased. (Equivalent of 5 on the dial)

Additionally, if the load becomes lighter after cutting is completed, the circumferential speed is automatically decreased, reducing power consumption when there is no load.

Dial for setting band saw blade circumferential speed

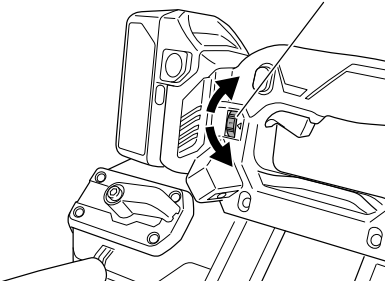


Fig. 11

Table 6 Operating Speed

Mode	Dial	Band saw blade circumferential speed (guideline)	Uses
Standard Mode	1 ↑ Low Speed	260 SFPM (80 m/min)	↑ Difficult-to-cut materials such as stainless steel and alloys Steel materials (Thick materials including cylindrical rods, I-beams, and steel pipe) (Thickness of 0.14" (3.5mm) or greater) Steel materials (Thin materials including steel pipe) (Thickness of under 0.14" (3.5mm)) ↓
	2	358 SFPM (109 m/min)	
	3	453 SFPM (138 m/min)	
	4	545 SFPM (166 m/min)	
	5 ↓ High Speed	640SFPM (195 m/min)	
AUTO Mode*	A	395 SFPM (120 m/min) (Without load)	Idle operation
		640SFPM (195 m/min) (With load)	Cutting operation

\* Circumferential speeds may vary from those stated above depending on operating conditions.

9. Band saw blade selection

**⚠ CAUTION**

- Use a band saw blade appropriate to the workpiece.  
Using a band saw blade unsuited to cut a workpiece will not only negatively affect cutting precision, but can also cause damage to the band saw blade.
- When selecting the number of teeth for a band saw blade, your standard choice should be a blade that exceeds the thickness of the workpiece by two or more teeth.

Select a band saw blade based on the thickness of the workpiece being cut, using Table 7 as a guideline.

Table 7 Band saw blade selection chart

(use the band saw blade indicated with a ✓ symbol)

Thickness (inch)	Band saw blade	
	Material: Bi-Metal	
	18 (teeth/inch)	14 (teeth/inch)
Under 1/8	✓	
1/8 – 1/4	✓	✓
Over 1/4		✓

10. Replacing the band saw blade

**⚠ WARNING**

- When replacing the band saw blade, be sure to switch off the power and remove the battery from the cordless tool.



- Use caution when changing or inspecting the band saw blade as it may sometimes spring out.

⚠ **CAUTION**

- Wear gloves when changing the band saw blade.
- The band saw blade is hot immediately after operation. Remove it only after it has cooled.

**How to remove (Fig. 12)**

Loosen the tension lever in the direction indicated in the figure.

Open the cover by pressing Blade pulley cover tabs (A) and (B).

Like the figure on the right, insert a screwdriver between the side of the band saw blade and the frame.

As you press the screwdriver against the side of the band saw blade, lean the screwdriver towards the revolving direction of the band saw blade. By slowly revolving the band saw blade, the blade will come loose from Blade pulley (A).

Remove the band saw blade.

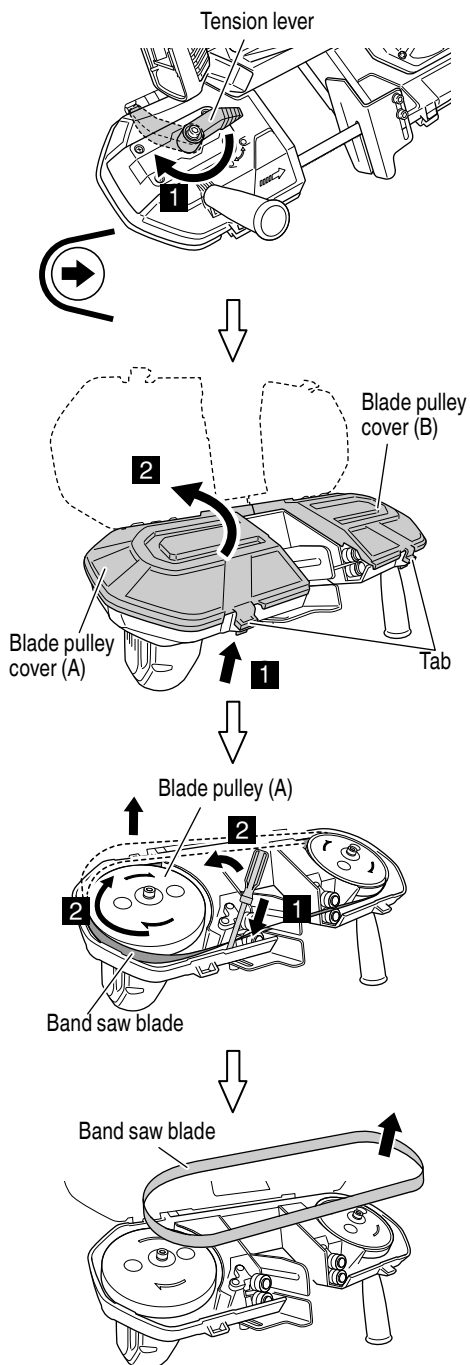


Fig. 12

## How to install (Fig. 13)

Being careful of the direction of revolution and the facing of the band saw blade (see figure), place the band saw blade in Guide roller (A) and (B), installing the band saw blade until it comes into contact with the Band saw blade back ball bearing support.

Holding the band saw blade in place so it doesn't come loose, seat the band saw blade in Blade pulley (B) and then (A), in this order.

At this point, make sure that the blade of the band saw blade is not protruding from the edges of Blade pulley (A) and that the band saw blade is not riding on the collar portion of Blade pulley (B).

Holding the band saw blade in place, turn the Tension lever in the direction for tightening and secure the band saw blade.

At this point, rotate Blade pulley (A) in the revolving direction with your hands and make sure the band saw blade does not come loose.

Close Blade Pulley Cover (A) and (B).

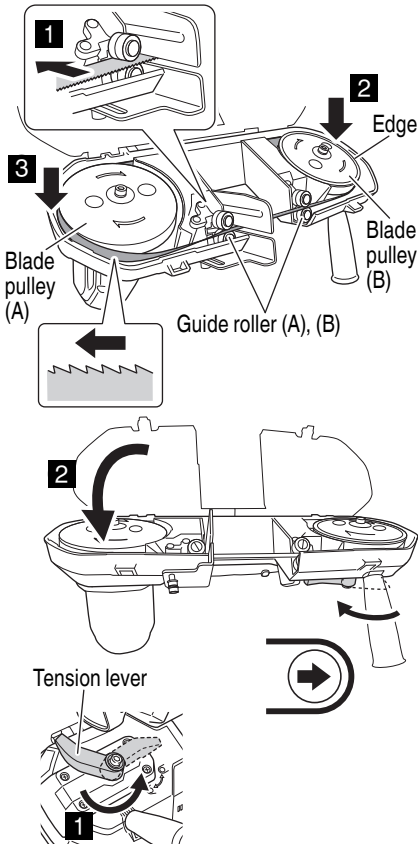


Fig. 13

## NOTE

- Minimize warm-up cutting with the band saw blade. Warm-up cutting shortens the lifespan of the band saw blade.
- Verify that there are no nicks, cracks, or other abnormalities on the band saw blade before installing it.
- Wipe off any oil or grime adhering to the band saw blade before installing it on the blade pulleys. Additionally, wipe off any shavings or grime adhering to the blade pulley rubbers. If a band saw blade that has oil or grime adhering to it is installed on the blade pulleys, the band saw blade may slip or come loose.
- When installing the band saw blade, do not twist or bend its joint. Doing so may damage the band saw blade.

## ⚠ CAUTION: on lithium-ion battery

To extend the lifetime, the lithium-ion battery equips with the protection function to stop the output. Therefore, if the tool is overloaded, the motor may stop. However, this is not the trouble but the result of protection function. In this case, release the switch of tool and eliminate the causes of overloading.

## ⚠ CAUTION

- When switching on the tool, make sure the band saw blade is not in contact with the workpiece. Failure to do so may result in injury.
- For cutting efficiency, switch the band saw blade speed according to operating conditions and workpiece to be cut.
- Do not apply any unnecessary pressure when operating the tool. Doing so may damage the band saw blade.
- After use, be sure not to place the tool near chips before it comes to a full stop as the tool may suck in those particles.

## CUTTING OPERATION

### ⚠ WARNING

- Be absolutely sure to keep the switch turned off and the battery removed to prevent any accident.
- During operation, do not place your face or hands near the application tool of the unit.
- Select a band saw blade (the band saw blade's teeth/inch) and a band saw blade operating speed that is suitable for properties and thickness of the workpiece to be cut.

- When using a new band saw blade, be sure to set the band saw blade operating speed setting dial to "1" and perform 1–2 warm-up cuts with a light cutting load (while pulling slightly upward on the product) on an object with an outer diameter of 3/4" or less such as cylindrical rod (carbon steel).

Failure to perform warm-up cuts may result in nicks on the blade edge and decreased cutting precision.

- Do not cut thermoplastic material. It can melt from cutting friction heat which can result in the band saw blade becoming wedged in the material, causing the motor to lock up.
- Do not cut hard materials such as hardened steel.
- If there is a gap between the guide plate and the workpiece, the piece may erratically shift position and cause breakage to the band saw blade.
- Do not apply excessive loads to the band saw blade.
- When the workpiece is thin (0.08" thick or less), cut with the piece slightly raised up.
- About continuous operation

This tool is equipped with a temperature protection circuit for safeguarding the motor as well as the electronic motor drive control components. If the tool is operated continuously, the temperature of the unit may rise and activate the temperature protection circuit, automatically stopping operation. If this happens, allow the machine to sufficiently cool.

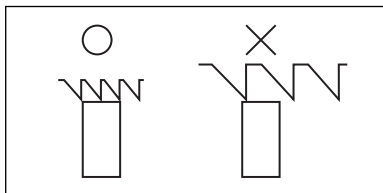
Once the temperature has decreased, the tool is ready to be used again. In the event the storage battery is changed during continuous operation, allow the cordless tool to rest for about 15 minutes before resuming use. If operation is resumed soon after the battery is changed, the temperatures of the motor, switch, etc. will become high and may result in malfunction or damage.

- About holding the unit and applying force Hold the tool securely with both hands. When holding the unit, make sure the band saw blade is perpendicular to the workpiece. Additionally, there is no need to push the unit with any excessive force. Be aware that applying any excessive prying or pressing force to the tool may result in the unit's malfunction or damage.

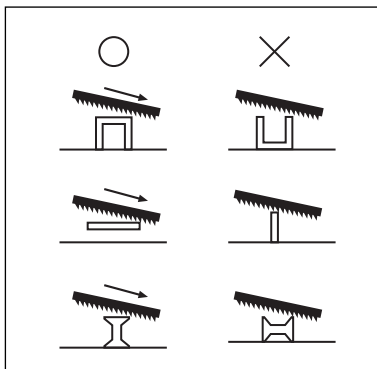
When holding the unit, make sure the band saw blade is perpendicular to the workpiece. Additionally, there is no need to push the unit with any excessive force.

Be aware that applying any excessive prying or pressing force to the tool may result in the unit's malfunction or damage.

Be aware that applying any excessive prying or pressing force to the tool may result in the unit's malfunction or damage.



For stable cut, always keep at least two teeth in the cut.



Select the proper cutting position for your workpiece by referring to the figure.

1. Press the workpiece against the guide plate (Fig. 14) Press the workpiece against the guide plate in a position where there is no contact with the band saw blade.
2. Press the switch and cut (Fig. 14) When the revolutions are stable, avoid any sudden impact to the band saw and gently bring the band saw to the workpiece to cut. When completing a cut, hold the tool firmly, so it will not fall against the workpiece.

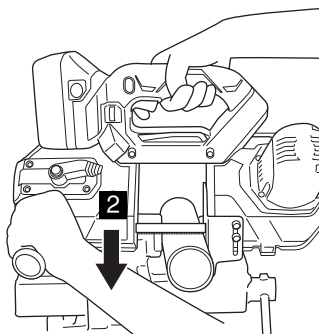
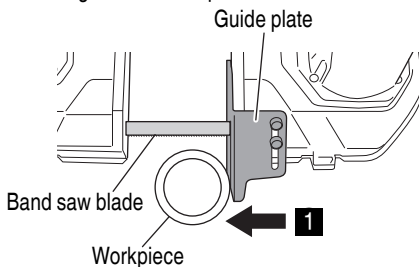


Fig. 14

## MAINTENANCE AND INSPECTION

**⚠ WARNING:** Be sure to turn off the switch and pull out the battery.  
Be sure to wear gloves when handling the band saw blade.

### 1. Replacing the band saw blade (Fig. 12, 13)

If the band saw blade becomes dull, it can result in overburdening the motor and the various parts of the tool as well as decrease efficiency.

Do not delay in replacing the band saw blade.

### 2. Blade pulley rubbers inspection (Fig. 15)

The blade pulley rubbers are installed on the outer circumferences of the blade pulleys (2 places). (Fitted type)

When replacing the band saw blade, inspect the blade pulley rubbers for sagging or damage.

If there is sagging or damage, request a replacement from metabo HPT Authorized Service Center, as it may result in the band saw blade running unstable or coming loose.

### NOTE

Periodically remove any shavings, etc. that has adhered to the blade pulley rubbers.

Failure to do so may result in slippage of the band saw blade and/or injury.

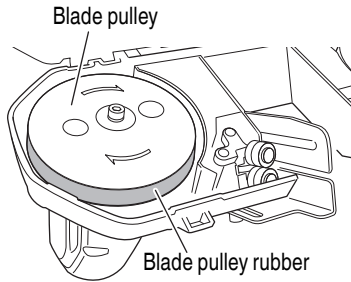


Fig. 15

### 3. Inspection of band saw blade back ball bearing supports (Fig. 16)

Periodically inspect the band saw blade back ball bearing supports inside the bearing holders for wear.

If the band saw blade back ball bearing supports are worn, there will be excessive force on the band saw blade that could result in damage to the band saw blade.

If the band saw blade back ball bearing supports are worn, arrange for replacements from metabo HPT Authorized Service Center.

Band saw blade back ball bearing support

Guide rollers

Band saw blade

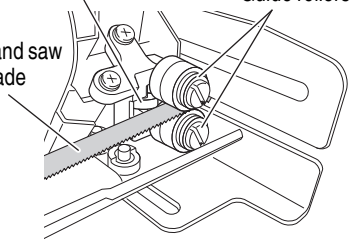


Fig. 16

### 4. Inspection of band saw blade guide rollers and adjustment of gaps (Fig. 17)

After continued use of the unit, the gaps between the band saw blade guide rollers may become wider.

If the gaps become wider, the band saw blade may tilt, resulting in reduced cutting precision.

Periodically inspect whether the gaps between the band saw blade guide rollers are appropriate (bearings are lightly touching the band saw blade), and make any adjustments if necessary.

Additionally, if the band saw blade guide rollers are damaged, arrange for replacements from metabo HPT Authorized Service Center.

① Open the blade pulley cover and remove the band saw blade.

(See Fig. 12 for band saw blade removal)

② Use a Phillips head screwdriver to loosen the screws and remove the bearing holders (A) and (B) from the unit.

③ Use a flathead screwdriver to loosen the bearing pins.

Place the band saw blade between the guide rollers and tighten the bearing pins, adjusting as necessary to make sure that the blade is lightly in contact with the supports.

④ Place bearing holders (A) and (B) back into the unit and install the band saw blade.

(See Fig. 13 for band saw blade installation)

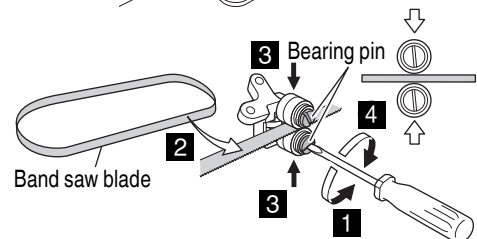
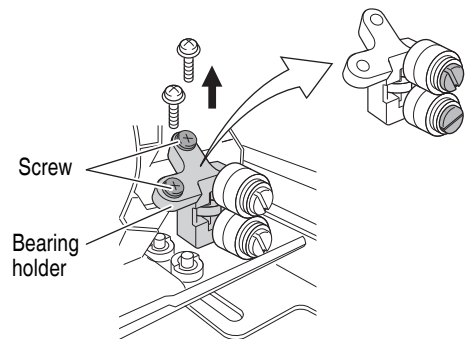
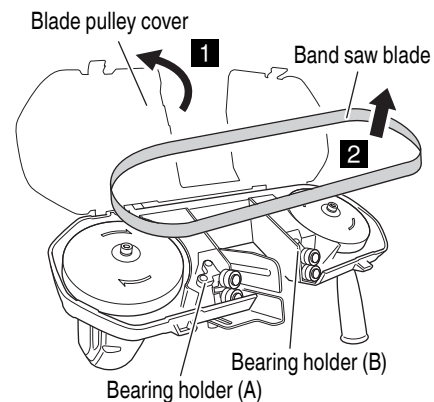
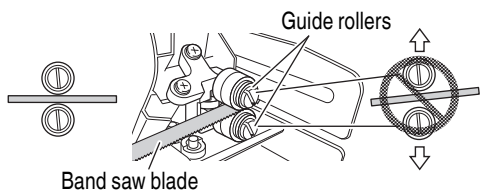


Fig. 17

5. Check the Screws  
Loose screws are dangerous. Regularly inspect them and make sure they are tight.

**CAUTION**  
Using this power tool with loosened, screws is extremely dangerous.

6. Maintenance of the motor  
The motor unit winding is the very “heart” of the power tool.  
Exercise due care to ensure the winding does not become damaged and/or wet with oil or water.
7. Check for Dust  
Dust may be removed with a soft cloth or a cloth dampened with soapy water.  
Do not use bleach, chlorine, gasoline or thinner, for they may damage the plastics.
8. Disposal of the exhausted battery

**WARNING**  
Do not dispose of the exhausted battery. The battery must explode if it is incinerated. The product that you have purchased contains a rechargeable battery. The battery is recyclable. At the end of its useful life, under various state and local laws, it may be illegal to dispose of this battery into the municipal waste stream. Check with your local solid waste officials for details in your area for recycling options or proper disposal.

9. Storage  
Storing in a place below 104°F (40°C) and out of the reach of children.

**NOTE**  
Storing lithium-ion batteries  
Make sure the lithium-ion batteries have been fully charged before storing them.  
Prolonged storage (3 months or more) of batteries with a low charge may result in performance deterioration, significantly reducing battery usage time or rendering the batteries incapable of holding a charge.  
However, significantly reduced battery usage time may be recovered by repeatedly charging and using the batteries two to five times.  
If the battery usage time is extremely short despite repeated charging and use, consider the batteries dead and purchase new batteries.

10. Service and repairs  
All quality power tools will eventually require servicing or replacement of parts because of wear from normal use. To assure that only authorized replacement parts will be used, all service and repairs must be performed by a metabo HPT AUTHORIZED SERVICE CENTER, ONLY.

**CAUTION**  
In the operation and maintenance of power tools, the safety regulations and standards prescribed in each country must be observed.

**Important notice on the batteries for the metabo HPT cordless power tools**

Please always use one of our designated genuine batteries. We cannot guarantee the safety and performance of our cordless power tool when used with batteries other than these designated by us, or when the battery is disassembled and modified (such as disassembly and replacement of cells or other internal parts).

## ACCESSORIES

**⚠ WARNING**

**ALWAYS use Only authorized metabo HPT replacement parts and accessories. NEVER use replacement parts or accessories which are not intended for use with this tool. Contact metabo HPT if you are not sure whether it is safe to use a particular replacement part or accessory with your tool.**

**The use of any other attachment or accessory can be dangerous and could cause injury or mechanical damage.**

**NOTE**

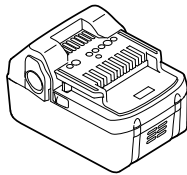
Accessories are subject to change without any obligation on the part of the metabo HPT.

**STANDARD ACCESSORIES**

CB18DBL (NN)	<input type="radio"/> Band Saw Blade (Bi-Metal 18 TPI) ..... 1 <input type="radio"/> Side Handle (Code No. 981828) ..... 1 <input type="radio"/> Hex. Bar Wrench (Code No. 944458) ..... 1 Battery, battery charger, plastic case and battery cover are not contained.
-----------------	---

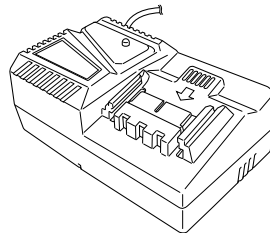
**OPTIONAL ACCESSORIES (sold separately)**

1. Battery



**BSL1850** (Code No. 335791)

2. Battery Charger



**UC18YFSL**

3. Band Saw Blade

Bi-Metal	18 TPI (3 pcs/pack)	Code No. 338431
	14 TPI (3 pcs/pack)	Code No. 338430


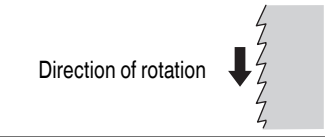
**NOTE**

Specifications are subject to change without any obligation on the part of the metabo HPT.

## TROUBLE SHOOTING

Use the inspections in the table below if the tool does not operate normally. If this does not remedy the problem, consult your dealer or the metabo HPT Authorized Service Center.

Symptom	Possible cause	Remedy
The unit does not run/is stopped	The battery capacity is depleted	Charge the storage battery.
The unit has stopped suddenly	The unit is overloaded	Get rid of the cause of the large load.
	The storage battery is overheated	Allow the storage battery to cool sufficiently.
The band saw blade has come loose	There is oil or grime adhering to the band saw blade or workpiece	Wipe off oil or grime that is adhering to the band saw blade or workpiece.
	The band saw blade is not installed correctly	Install the band saw blade correctly. (See "Replacing the band saw blade")
The band saw blade is becoming bound in the workpiece	A band saw blade appropriate for the workpiece is not being used	Select the correct band saw blade. (See "Band saw blade selection")
	A band saw blade operating speed appropriate for the workpiece is not being used	Select the correct band saw blade operating speed. (See "Adjusting operating speed")
Cutting precision is poor	The band saw blade is worn away	Replace the band saw blade with a new one.
	A band saw blade appropriate for the workpiece is not being used	Select the correct band saw blade. (See "Band saw blade selection")
	A band saw blade operating speed appropriate for the workpiece is not being used	Select the correct band saw blade operating speed. (See "Adjusting operating speed")
	The band saw blade is not installed correctly	Install the band saw blade correctly. (See "Replacing the band saw blade")
	The gaps between the band saw blade ball bearing supports have become wide	Correctly adjust the gaps. (See "Inspection of band saw blade guide rollers and adjustment of gaps")
	A band saw blade that is not authorized by the manufacturer is being used	Use a band saw blade that is authorized by the manufacturer.
	Sufficient warm-up cuts have not been performed	With the band saw blade operating speed setting dial set to "1", perform 1 or 2 warm-up cuts with a light cutting load such as a cylindrical rod (carbon steel, etc.) with an outer diameter of 3/4" or less.

Symptom	Possible cause	Remedy
Cutting takes a long time	The band saw blade is facing the wrong direction  Direction of rotation 	Install the band saw blade correctly. (See “Replacing the band saw blade”)  Direction of rotation 
	A band saw blade appropriate for the workpiece is not being used	Select the correct band saw blade. (See “Band saw blade selection”)
	The band saw blade operating speed is not appropriate for the workpiece	Select the correct band saw blade operating speed. (See “Adjusting operating speed”)
	The band saw blade is worn away	Replace the band saw blade.
	The remaining battery supply is low	Charge the storage battery.
There are large vibrations during cutting	The band saw blade edge is chipped	Replace the band saw blade.
	A band saw blade appropriate for the workpiece is not being used	Select the correct band saw blade. (See “Band saw blade selection”)
	The band saw blade operating speed is not appropriate for the workpiece	Select the correct band saw blade operating speed. (See “Adjusting operating speed”)
The blade edge frequently becomes chipped	The unit is being pressed too hard during cutting	Cut using the unit’s own weight or while pressing gently.
	The band saw blade has impacted against the workpiece	Bring the band saw blade near the workpiece slowly and gently begin cutting.
	The workpiece has moved during cutting	Fasten the workpiece firmly with a vice, etc.
	A band saw blade appropriate for the workpiece is not being used	Select the correct band saw blade. (See “Band saw blade selection”)
	The band saw blade operating speed is not appropriate for the workpiece	Select the correct band saw blade operating speed. (See “Adjusting operating speed”)



## CONSIGNES DE SÉCURITÉ IMPORTANTES

Lire toutes les précautions de sécurité, les avertissements et les instructions de fonctionnement dans ce mode d'emploi avant d'utiliser ou d'entretenir cet outil motorisé.

La plupart des accidents causés lors de l'utilisation ou de l'entretien de l'outil motorisé proviennent d'un non respect des règles ou précautions de base de sécurité. Un accident peut la plupart du temps être évité si l'on reconnaît une situation de danger potentiel avant qu'elle ne se produise, et en observant les procédures de sécurité appropriées.

Les précautions de base de sécurité sont mises en évidence dans la section "SECURITE" de ce mode d'emploi et dans les sections qui contiennent les instructions de fonctionnement et d'entretien.

Les dangers qui doivent être évités pour prévenir des blessures corporelles ou un endommagement de la machine sont identifiés par AVERTISSEMENTS sur l'outil motorisé et dans ce mode d'emploi.

**NE JAMAIS** utiliser cet outil motorisé d'une manière qui n'est pas spécifiquement recommandée par metabo HPT.

## SIGNIFICATION DES MOTS D'AVERTISSEMENT

**AVERTISSEMENT** indique des situations potentiellement dangereuses qui, si elles sont ignorées, pourraient entraîner la mort ou de sérieuses blessures.

**PRECAUTION** indique des situations dangereuses potentielles qui, si elles ne sont pas évitées, peuvent entraîner de mineures et légères blessures ou endommager la machine.

**REMARQUE** met en relief des informations essentielles.

# SÉCURITÉ

## AVERTISSEMENTS DE SÉCURITÉ GÉNÉRAUX CONCERNANT LES OUTILS ÉLECTRIQUES

### ⚠ AVERTISSEMENT

**Lire tous les avertissements de sécurité et toutes les instructions**

Tout manquement à observer ces avertissements et instructions peut engendrer des chocs électriques, des incendies et/ou des blessures graves.

**Conservez tous les avertissements et toutes les instructions pour vous y référer ultérieurement.**

Le terme "outil électrique", utilisé dans les avertissements, se réfère aux outils électriques (câblé) ou aux outils à piles (sans fil).

### 1) Sécurité de l'aire de travail

**a) Maintenir l'aire de travail propre et bien éclairée.**

Les endroits encombrés ou sombres sont propices aux accidents.

**b) Ne pas utiliser d'outils électriques en présence de liquides, gaz ou poussière inflammables, au risque de provoquer une explosion.**

Les outils électriques créent des étincelles susceptibles d'enflammer la poussière.

**c) Ne pas laisser les enfants et les visiteurs s'approcher de vous lorsque vous utiliser un outil électrique.**

Les distractions peuvent faire perdre le contrôle.

### 2) Sécurité électrique

**a) Les prises de l'outil électrique doivent correspondre à la prise secteur.**

**Ne jamais modifier la prise.**

**Ne pas utiliser d'adaptateurs avec les outils électriques mis à la masse.**

Les prises non modifiées et les prises secteurs correspondantes réduisent les risques de choc électrique.

**b) Eviter tout contact avec les surfaces mises à la masse telles que les tuyaux, radiateurs, bandes et réfrigérateurs.**

Le risque de choc électrique est accru en cas de mise à la masse du corps.

**c) Ne pas exposer les outils électriques à la pluie ou à des conditions humides.**

Si l'eau pénètre dans l'outil, cela augmente les risques de choc électrique.

**d) Ne pas utiliser le cordon à tort. Ne jamais utiliser le cordon pour transporter ou débrancher l'outil électrique.**

Maintenir le cordon loin de la chaleur, de l'huile, des bords pointus ou des pièces mobiles.

Les cordons endommagés ou usés augmentent les risques de choc électrique.

- e) **En cas d'utilisation d'un outil électrique à l'extérieur, utiliser un cordon de rallonge adapté à un usage extérieur.**  
L'utilisation d'un cordon adapté à l'usage extérieur réduit les risques de choc électrique.
- f) **Si vous devez utiliser un outil électrique dans un endroit humide, utilisez une alimentation protégée contre les courants résiduels.**  
L'utilisation d'un dispositif de protection contre les courants résiduels réduit le risque de choc électrique.
- 3) **Sécurité personnelle**
- a) **Restez alerte, regarder ce que vous faites et usez de votre bon sens en utilisant un outil électrique.**  
**Ne pas utiliser d'outil électrique si vous êtes sous l'influence de drogues, d'alcool ou de médicaments.**  
Pendant l'utilisation d'outils électrique, un instant d'inattention peut entraîner des blessures graves.
- b) **Utiliser un équipement de protection individuelle. Toujours porter des verres de protection.**  
L'utilisation d'équipements de protection tels que les masques anti-poussière, les chaussures de sécurité anti-dérapantes, les casques ou les protections auditives dans des conditions appropriées réduisent les risques de blessures.
- c) **Empêcher les démarrages intempestifs. Veiller à ce que l'interrupteur soit en position d'arrêt avant de brancher à une source d'alimentation et/ou une batterie, de ramasser l'outil au sol ou de le transporter.**  
Transporter les outils électriques avec le doigt sur l'interrupteur ou brancher les outils électriques avec l'interrupteur en position de marche peut entraîner des accidents.
- d) **Retirer toute clé de sécurité ou clé avant de mettre l'outil électrique en marche.**  
Laisser une clé ou une clé de sécurité sur une partie mobile de l'outil électrique peut engendrer des blessures.
- e) **Ne pas trop se pencher. Toujours garder une bonne assise et un bon équilibre pendant le travail.**  
Cela permet un meilleur contrôle de l'outil électrique dans des situations imprévisibles.
- f) **Porter des vêtements adéquats. Ne pas porter de vêtements amples ni de bijoux. Maintenir les cheveux, les vêtements et les gants loin des pièces mobiles.**  
Les vêtements amples ou les cheveux longs peuvent se prendre dans les pièces mobiles.
- g) **En cas de dispositifs destinés au raccordement d'installations d'extraction et de recueil de la poussière, veiller à ce qu'ils soient correctement raccordés et utilisés.**  
L'utilisation d'un dispositif de collecte de la poussière peut réduire les dangers associés à la poussière.
- 4) **Utilisation et entretien d'un outil électrique**
- a) **Ne pas forcer sur l'outil électrique. Utiliser l'outil électrique adapté à vos travaux.**  
Le bon outil électrique fera le travail mieux et en toute sécurité au régime pour lequel il a été conçu.
- b) **Ne pas utiliser l'outil électrique si l'interrupteur ne le met pas en position de marche et d'arrêt.**  
Tout outil ne pouvant être contrôlé par l'interrupteur est dangereux et doit être réparé.
- c) **Débrancher la prise ou retirer la batterie avant de procéder à des réglages, au remplacement des accessoires ou au stockage des outils électriques.**  
Ces mesures préventives de sécurité réduisent les risques de démarrage accidentel de l'outil électrique.
- d) **Stockez les outils électriques inutilisés hors de la portée des enfants et ne pas laisser des personnes non familiarisées avec l'outil ou ces instructions utiliser l'outil électrique.**  
Les outils électriques sont dangereux entre les mains d'utilisateurs non habilités.
- e) **Entretien des outils électriques. Vérifier l'absence de mauvais alignement ou d'arrêt, d'endommagement de pièces ou toute autre condition susceptible d'affecter l'opération de l'outil.**  
**Si l'outil est endommagé, le faire réparer avant utilisation.**  
De nombreux accidents sont dus à des outils mal entretenus.
- f) **Maintenir les outils coupants aiguisés et propres.**  
Des outils coupants bien entretenus avec des bords aiguisés sont moins susceptibles de se coincer et plus simples à contrôler.
- g) **Utiliser l'outil électrique, les accessoires et les mèches de l'outil, etc. conformément à ces instructions en tenant compte des conditions d'utilisation et du travail à réaliser.**  
L'utilisation de l'outil électrique pour des opérations différentes de celles pour lesquelles il a été conçu est dangereuse.
- 5) **Utilisation et entretien de la batterie**
- a) **Recharger la batterie uniquement avec le chargeur recommandé par le fabricant.**  
Un chargeur inadéquat pour le type de batterie peut entraîner un risque d'incendie en cas d'utilisation avec une autre batterie.
- b) **Utiliser les outils électriques uniquement avec les batteries spécifiées.**  
L'utilisation d'autres batteries peut entraîner un risque de blessures et d'incendie.

c) Lorsque la batterie est inutilisée, la garder à l'écart d'objets métalliques comme des trombones, des pièces de monnaie, des clés, des clous, des vis ou autres petits objets métalliques pouvant raccorder les bornes.

La connexion des bornes peut entraîner des blessures ou un incendie.

d) En cas d'utilisation dans des conditions extrêmes, du liquide peut être émis de la batterie. Éviter tout contact. en cas de contact accidentel, rincer à l'eau. Si le liquide entre en contact avec les yeux, consulter un médecin.

Le liquide émis par la batterie peut entraîner des irritations et des brûlures.

6) Service

a) Faire entretenir l'outil électrique par un technicien habilité à l'aide de pièces de rechange identiques exclusivement.

Cela garantira le maintien de la sécurité de l'outil électrique.

**-AVERTISSEMENT-**

Pour réduire tout risque de blessure, l'utilisateur doit lire le mode d'emploi.

**REGLES DE SECURITE SPECIFIQUES ET SYMBOLES**

1. Tenir l'outil électrique par les surfaces isolées permettant de l'agripper pour effectuer une opération où l'accessoire de coupe peut entrer en contact avec des fils électriques masqués.

Le contact de l'accessoire de coupe avec un fil sous tension peut transmettre du courant dans les pièces métalliques exposées de l'outil et communiquer une décharge électrique à l'opérateur.

2. Serrez solidement la pièce à découper.

Si la pièce n'est pas solidement serrée, elle peut changer de position et causer des dommages à la lame de scie à ruban et/ou des blessures.

3. TOUJOURS porter des protecteurs d'oreille lors de l'utilisation de l'outil pendant de longues périodes.

Une exposition prolongée à un son de forte intensité peut endommager l'ouïe de l'utilisateur.

4. NE touchez JAMAIS la lame de scie à ruban avec les mains nues après le fonctionnement.

5. Étant donné que la scie à ruban sans fil fonctionne sur batterie, soyez conscient qu'elle peut commencer à fonctionner à tout moment.

6. Lors d'un travail en position élevée, évacuer tout le monde de l'aire de travail et ne pas oublier qu'on travaille en hauteur.



7. NE touchez JAMAIS les pièces en rotation.



NE placez JAMAIS vos mains, doigts ou autres parties de votre corps près des pièces en rotation de l'outil.

8. NE JAMAIS utiliser l'outil sans que tous les dispositifs de sécurité ne soient en place.

NE JAMAIS faire fonctionner cet outil sans que tous les dispositifs et caractéristiques de sécurité ne soient en place et en état de fonctionnement. Si un entretien ou une réparation nécessite le retrait d'un dispositif ou d'une caractéristique de sécurité, s'assurer de bien remettre en place le dispositif ou la caractéristique de sécurité avant de recommencer à utiliser l'outil.

9. Utiliser l'outil correct.

Ne pas forcer sur un petit outil ou accessoire pour faire le travail d'un outil de grande puissance.

N'utilisez pas l'outil à d'autres fins que celle prévue, par exemple, n'utilisez pas la scie à ruban pour couper des grosses branches d'arbre ou des rondins.

10. NE JAMAIS utiliser un outil motorisé pour des applications autres que celles spécifiées.

NE JAMAIS utiliser un outil motorisé pour des applications autres que celles spécifiées dans le mode d'emploi.

11. Manipuler l'outil correctement.

Utiliser l'outil de la façon indiquée dans ce mode d'emploi. Ne pas laisser tomber ou lancer l'outil. NE JAMAIS permettre que l'outil soit utilisé par des enfants, des personnes non familiarisées avec son fonctionnement ou un personnel non autorisé.

12. Maintenir toutes les vis, tous les boulons et les couvercles fermement en place.

Maintenir toutes les vis, tous les boulons et les couvercles fermement montés. Vérifier leurs conditions périodiquement.

13. Ne pas utiliser les outils motorisés si le revêtement de plastique ou la poignée est fendu.

Des fentes dans le revêtement ou la poignée peuvent entraîner une électrocution. De tels outils ne doivent pas être utilisés avant d'être réparés.

14. La lame de scie à ruban et les accessoires doivent être fermement montés sur l'outil.

Prévenez les blessures potentielles à vous-même ou aux autres. La lame de scie à ruban et les accessoires qui ont été montés sur l'outil devraient être sécurisés et serrés.

15. Garder propres les événements d'air du moteur.

Les événements d'air du moteur doivent être maintenus propres de façon que l'air puisse circuler librement tout le temps. Vérifier les accumulations de poussière fréquemment.

**16. NE JAMAIS utiliser un outil défectueux ou qui fonctionne anormalement.**

Si l'outil n'a pas l'air de fonctionner normalement, fait des bruits étranges ou sans cela paraît défectueux, arrêter de l'utiliser immédiatement et le faire réparer par un centre de service metabo HPT autorisé.

**17. NE JAMAIS laisser fonctionner l'outil sans surveillance. Le mettre hors tension.**

Ne pas abandonner l'outil avant qu'il ne soit complètement arrêté.

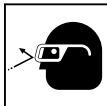
**18. Manipuler l'outil motorisé avec précaution.**

Si un outil motorisé tombe ou frappe un matériau dur accidentellement, il risque d'être déformé, fendu ou endommagé.

**19. Ne pas essuyer les parties en plastique avec du solvant.**

Les solvants comme l'essence, les diluants, la benzine, le tétrachlorure de carbone et l'alcool peuvent endommager et fissurer les parties en plastique. Ne pas les essuyer avec de tels solvants. Essuyer les parties en plastique avec un chiffon doux légèrement imbibé d'une solution d'eau savonneuse et sécher minutieusement.

**20. TOUJOURS** porter des lunettes de protections conformes aux exigences des dernières révisions du standard ANSI Z87.1.



**21. TOUJOURS** porter un masque ou un respirateur pour se protéger de la poussière et des particules dangereuses générées pendant l'opération de meulage.

**22. TOUJOURS** tenir fermement la poignée lors de l'utilisation.

**23. TOUJOURS** vérifier s'il y a des objets encastrés, par exemple des fils électriques.

Le fait de toucher avec l'outil un fil ou un câble électrique sous tension encastré dans le mur risque de provoquer une décharge électrique.

Vérifier s'il y a des objets encastrés, par exemple un câble électrique, dans le mur, le plancher ou le plafond avant d'y commencer le travail.

**24. Définitions pour les symboles utilisés sur cet outil**

- V .....volts
- == .....courant continu
- SFPM.....piéd linéaire par minute
- No .....vitesse sans charge
- I .....Mise sous tension
- O .....Mise hors tension
- ☞ .....Serrer la lame de scie à ruban
- ☞ .....Desserrer la lame de scie à ruban
- ☞ → .....Sens de rotation de la lame de scie à ruban

## AUTRES AVERTISSEMENTS DE SÉCURITÉ

**1. Tenez toujours l'outil fermement avec les deux mains sur la poignée et la poignée latérale (Fig. 1). Ne touchez pas la partie métallique.**

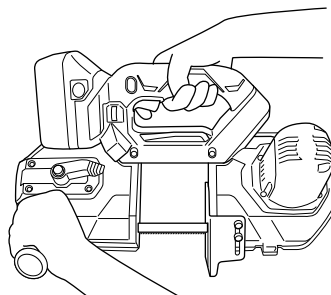


Fig. 1

**2. Assurez-vous que la zone à perforez ne présente aucun obstacle masqué, notamment un câblage électrique ou des conduites d'eau ou de gaz. Percer dans les éléments mentionnés ci-dessus présente un risque de décharge électrique ou de court-circuit, de fuite de gaz ou d'autres dangers susceptibles de provoquer des accidents ou des blessures graves.**

**3. Tenir fermement l'outil pendant le fonctionnement. Ne pas respecter cette consigne présente un risque d'accident ou de blessures.**

**4. Préparer et vérifier l'environnement de travail. Vérifier si l'environnement de travail convient aux précautions suivantes.**

**5. Les particules de poussière telles que l'amiante ou la silice sont dangereuses pour la santé. Lorsque vous travaillez avec des matériaux contenant ces composants, prenez les mesures anti-poussière adéquates.**

**6. Travail avec du métal peut provoquer des étincelles. Assurez-vous qu'il n'y a pas de matériaux combustibles et inflammables à proximité et qu'ils sont rangés dans un endroit sûr.**

**7. Avant d'utiliser l'appareil, assurez-vous que le couvercle de poulie de lame est fermé et attaché à l'aide de vis.**

L'utilisation de l'outil avec le couvercle de poulie de lame ouvert peut causer des blessures.

**8. Pendant le fonctionnement, ne mettez pas vos mains, votre visage ou d'autres parties de votre corps à proximité de la lame de scie à ruban en rotation ou d'autres pièces en rotation. Cela risque de causer des blessures.**

**9. Si l'unité principale est échappée accidentellement ou subit un impact, inspectez soigneusement la lame de scie à ruban, l'unité, etc. pour s'assurer qu'il n'y a pas de dommages, fissures ou déformations. Cela peut causer des blessures s'il y a des dommages, fissures ou des déformations.**

10. Pendant le fonctionnement, si l'appareil ne fonctionne pas de manière régulière, ou lorsqu'il y a des sons ou des vibrations anormales, éteignez immédiatement l'appareil, arrêtez l'utilisation et communiquez avec un centre de service metabo HPT autorisé pour une inspection et/ou une réparation.  
Continuer à l'utiliser dans ces conditions peut causer des blessures.
11. Une surchauffe peut se produire à l'intérieur de l'appareil et endommager le moteur et l'interrupteur, si l'appareil fonctionne sans interruption. Restez au moins 15 minutes sans l'utiliser.
12. Suivez le manuel d'instructions et assurez-vous que la lame de scie à ruban et les accessoires sont correctement installés.  
Une installation incorrecte risque de provoquer des blessures par des pièces desserrées.
13. Fixez fermement la pièce à couper.  
Si la pièce n'est pas correctement fixée, elle peut se décaler et causer des dommages à la lame de scie à ruban et/ou des blessures.
14. Afin d'éviter que la lame de scie à ruban ne se bloque entre les surfaces de coupe pendant ou immédiatement après la coupe, installez un support pour supporter le poids de la pièce, placez-le à proximité de la section à couper.  
Si la lame de scie à ruban se coince, cela peut causer des blessures.
15. Si la section à couper est grande, installez un autre support stable pour supporter le poids de cette section.  
Ne pas utiliser un tel support peut causer des blessures.
16. Pendant le fonctionnement, ne portez pas de gants de travail en tissu ou d'autres protections des mains similaires pouvant se coincer dans l'appareil.  
Se coincer dans la section de rotation de l'outil peut causer des blessures.
17. Préalablement au fonctionnement de la machine, vérifiez que la zone avoisinante est sûre et faites tourner la lame brièvement pour vous assurer qu'il n'y a pas d'anomalies dans les vibrations de l'appareil ou dans la lame de scie à ruban.  
S'il y a des anomalies, des mouvements soudains peuvent se produire et provoquer des blessures.
18. Lorsque vous travaillez dans un endroit en hauteur, veillez à ce qu'il n'y ait personne en dessous.  
La chute de la pièce ou de l'outil sans fil depuis un emplacement élevé peut entraîner un accident.
19. N'appliquez pas de choc soudain à la pièce avec la lame de scie à ruban.  
Cela pourrait endommager la lame de scie à ruban et/ou causer des blessures.
20. Utilisez le propre poids du produit ou appuyez doucement dessus pour couper la pièce.  
Appliquer une force inutile pendant la coupe peut entraîner un détachement ou endommager la lame de scie à ruban ce qui peut causer des blessures.
21. Ne touchez pas la lame de scie à ruban, la pièce ou les copeaux à mains nues immédiatement après la coupe, car elles sont chaudes.  
Cela risque de causer des brûlures.
22. Retirez tous copeaux adhérant à la lame de scie à ruban ou aux caoutchoucs de poulie de lame, ainsi que tous les copeaux qui s'accumulent à l'intérieur du bâti.  
Les copeaux risquent de détacher ou de faire glisser la lame de scie à ruban, et de vous blesser.
23. Assurez-vous que le couvercle de la poulie de lame est correctement fixé avant de l'utiliser.  
Si la lame de scie à ruban est endommagée ou se détache, elle peut causer des blessures.
24. Vérifiez que le couvercle de la poulie de lame et la lame de scie à ruban ne sont pas en contact entre eux.
25. S'il y a une anomalie avec le couvercle de la poulie de lame et le commutateur de verrouillage ne retourne pas à sa position d'origine, cessez immédiatement l'utilisation et communiquez avec un centre de service metabo HPT autorisé pour la réparation.
26. L'utilisation d'une lame de scie à ruban autre que celle autorisée par le fabricant ou avec une lame de scie à ruban avec des anomalies pourrait endommager la lame de scie à ruban et/ou vous blesser.
27. Lors de la mise sous tension, vérifiez que la lame de scie à ruban n'est pas en contact avec la pièce à couper ou des objets environnants.  
Le non-respect de cette consigne pourrait provoquer une chute de l'unité principale et/ou vous blesser.
28. Afin d'éviter un accident, lorsque vous faites une pause d'une opération ou à la fin des opérations, assurez-vous de mettre l'appareil hors tension et retirez la batterie de l'outil sans fil.
29. Si la lame de scie à ruban se bloque pendant la coupe, coupez immédiatement l'alimentation et arrêtez son fonctionnement.  
Le non-respect de cette consigne pourrait provoquer un endommagement de la lame de scie à ruban.
30. Le moteur peut s'arrêter en cas de surcharge de l'outil. Le cas échéant, relâchez le commutateur de l'outil et éliminer la cause de la surcharge.
31. Ne laissez pas l'outil en marche sans surveillance sur le sol, sur la table ou dans d'autres lieux. Cela risque de causer des blessures.
32. Pour l'efficacité de coupe, basculez sur le mode de l'outil d'application selon les conditions de la tâche et les pièces à couper.
33. Après utilisation, assurez-vous de ne pas placer l'outil à proximité des copeaux ou de la sciure avant son arrêt total, car il pourrait les aspirer.
34. Après utilisation, si l'appareil ne sera pas utilisé pendant une longue période, retirez la lame de scie à ruban dans le corps de l'unité et rangez la lame de scie à ruban.

Si la lame de scie à ruban gauche est installée dans le corps de l'unité pendant une longue période, la durée de vie de la lame de scie à ruban risque d'en être raccourcie.

## CONSIGNES DE SÉCURITÉ IMPORTANTES POUR LE CHARGEUR DE BATTERIE

### ⚠ AVERTISSEMENT

**Une utilisation incorrecte ou dangereuse des chargeurs de batterie peut entraîner la mort ou des blessures graves.**

La batterie et le chargeur de batterie ne sont pas fournis avec ce produit.

### LIRE TOUT CE MODE D'EMPLOI

1. Ce manuel renferme des consignes de sécurité et d'utilisation importantes pour le chargeur de batterie modèle UC18YFSL.
2. Avant d'utiliser le chargeur de batterie, lire toutes les étiquettes d'instruction et de précaution apposées sur (1) le chargeur de batterie, (2) la batterie, et (3) le produit utilisant la batterie.
3. Pour réduire le risque de blessure, chargez les batteries rechargeables metabo HPT des séries BSL18 et BSL14. Les autres types de batterie pourraient exploser et provoquer des blessures ou des dommages.

4. L'utilisation d'un accessoire non recommandé ou non vendu par le fabricant du chargeur de batterie risque de provoquer un feu, une décharge électrique ou des blessures.
5. Pour réduire tout risque de dommage de la fiche et du cordon électrique, débrancher le cordon du chargeur en tirant sur la fiche.
6. Vérifier que le cordon est placé de façon que personne ne puisse marcher dessus, se prendre les pieds dedans, ni l'endommager ou le soumettre à des contraintes.
7. Ne pas utiliser de cordon de rallonge si cela n'est pas absolument nécessaire. L'utilisation d'un cordon de rallonge incorrect pourrait entraîner un feu ou une décharge électrique. Si l'on doit utiliser un cordon de rallonge, s'assurer que:
  - a. Les broches de la rallonge ont les mêmes numéro, taille et forme que celles de la fiche du chargeur ;
  - b. Le cordon de rallonge est correctement raccordé et en bon état électrique ;
  - c. Le calibre du fil doit être au moins suffisant pour l'intensité nominale CA (ampères) du chargeur de batterie spécifiées dans le tableau ci-dessous.

Tableau 1  
CALIBRE MINIMUM RECOMMANDÉ POUR LES CORDONS DE RALLONGE  
DES CHARGEURS DE BATTERIE

Intensité nominale d'entrée CA (ampères)*		Calibre du cordon			
Egal ou supérieur à	mais non inférieur à	Longueur de cordon en pieds (mètres)			
		25 (7.5)	50 (15)	100 (30)	150 (45)
0	2	18	18	18	16
2	3	18	18	16	14
3	4	18	18	16	14

- \* Si l'intensité nominale d'entrée du chargeur de batterie est donnée en watts et non en ampères, calculer la capacité en ampères correspondante en divisant la capacité en ampères par la capacité de tension, par exemple:

$$\frac{1,250 \text{ watts}}{125 \text{ volts}} = 10 \text{ ampères}$$

8. Ne pas utiliser le chargeur si son cordon ou sa fiche sont endommagés - Le remplacer immédiatement.

9. Ne pas utiliser le chargeur s'il a reçu un coup, s'il est tombé ou endommagé de toute autre manière. L'apporter à un réparateur qualifié.
10. Ne pas démonter le chargeur ni le produit qui reçoit la batterie ; si un entretien ou des réparations sont nécessaires, les apporter à un réparateur qualifié. Un remontage incorrect pourrait provoquer une décharge électrique ou un feu.
11. Pour réduire tout risque de décharge électrique, débrancher le chargeur de la prise secteur avant tout entretien ou nettoyage. Il ne suffit pas de sortir la batterie.

## CONSIGNES DE SÉCURITÉ IMPORTANTES POUR L'UTILISATION DE LA BATTERIE ET DU CHARGEUR DE BATTERIE

Pour pouvoir utiliser la scie circulaire à batterie, il faudra recharger la batterie. Avant d'utiliser le chargeur de batterie modèle UC18YFSL, bien lire attentivement toutes les consignes et les avertissements signalés sur le chargeur, sur la batterie ou dans ce manuel.

**⚠ PRÉCAUTION  
UTILISER EXCLUSIVEMENT LE BATTERIE  
metabo HPT DE SÉRIE BSL1850. LES AUTRES  
TYPES DE BATTERIE POURRAIENT EXPLOSER  
OU PROVOQUER DES BLESSURES.**

Pour éviter tout risque de blessure, observer les consignes suivantes:

**⚠ AVERTISSEMENT  
Une utilisation incorrecte de la batterie ou du  
chargeur de batterie risque de provoquer des  
blessures. Pour éviter tout risque de blessure:**

1. **NE JAMAIS** démonter la batterie.
2. **NE JAMAIS** jeter la batterie au feu, même si elle est endommagée ou complètement usée. La batterie risque d'exploser au feu.
3. **NE JAMAIS** court-circuiter la batterie.
4. **NE JAMAIS** insérer d'objets dans les ouïes d'aération du chargeur. Il pourrait en résulter un choc électrique ou des dommages du chargeur.
5. **NE JAMAIS** effectuer la recharge à l'extérieur. Eloigner la batterie des rayons directs du soleil et utiliser exclusivement dans des endroits à faible humidité et bien aérés.
6. **NE JAMAIS** effectuer la recharge si la température est inférieure à 32°F (0°C) ou supérieure à 104°F (40°C).  
Le fait de charger la batterie à des températures inférieures à 32°F (0°C) ou supérieures à 104°F (40°C) peut nuire à la qualité du chargement et réduire la durée de vie de la batterie.
7. **NE JAMAIS** raccorder deux chargeurs de batterie ensemble.
8. **NE JAMAIS** insérer de corps étrangers dans l'orifice de la batterie ou du chargeur de batterie.
9. **NE JAMAIS** utiliser de transformateur-élévateur pour la recharge.
10. **NE JAMAIS** utiliser de générateur de moteur ni d'alimentation CC pour la recharge.
11. **NE JAMAIS** ranger la batterie ou le chargeur de batterie dans un endroit où la température peut atteindre ou dépasser 104°F (40°C), comme à l'intérieur d'une boîte métallique ou d'une voiture.
12. **NE JAMAIS** exposer la batterie ou le chargeur de batterie à la pluie ou l'humidité.

13. **TOUJOURS** alimenter le chargeur sur une prise secteur domestique standard (120 volts). L'utilisation du chargeur à une autre tension peut entraîner une surchauffe et endommager le chargeur.
14. **TOUJOURS** attendre au moins 15 minutes entre deux recharges pour éviter toute surchauffe du chargeur.
15. **TOUJOURS** débrancher le cordon d'alimentation de la prise secteur lorsqu'on ne se sert pas du chargeur.

## PRÉCAUTIONS RELATIVES A LA BATTERIE AU LITHIUM ION

Pour prolonger sa durée de vie, la batterie lithium-ion est équipée d'une fonction de protection qui coupe automatiquement l'alimentation.

Dans les cas 1 à 3 décrits ci-dessous, il est possible que le moteur s'arrête lorsque vous utilisez ce produit, même si vous actionnez le commutateur. Il ne s'agit pas d'un dysfonctionnement, mais du fonctionnement normal de la protection.

1. Lorsque la charge restante de la batterie diminue, le moteur s'arrête.  
Dans ce cas de figure, chargez immédiatement la batterie.
2. En cas de surcharge de l'outil, actionnez le commutateur de l'outil et éliminez les causes de la surcharge. Vous pouvez ensuite recommencer à utiliser l'outil.
3. En cas de surchauffe due à un travail trop intensif, l'alimentation de la batterie peut se couper.  
Dans ce cas, arrêtez toute utilisation de la batterie et laissez-la refroidir. Vous pouvez ensuite recommencer à l'utiliser.

En outre, respectez la précaution et l'avertissement suivants.

## ⚠ AVERTISSEMENT

Afin d'éviter toute fuite de la batterie, génération de chaleur, émission de fumée, explosion et inflammation, respectez scrupuleusement les précautions suivantes:

1. Assurez-vous que les copeaux et la poussière ne s'accumulent pas sur la batterie.
  - Lorsque vous travaillez, assurez-vous que les copeaux et la poussière ne tombent pas sur la batterie.
  - Assurez-vous que les copeaux et la poussière qui tombent sur l'outil lorsque vous travaillez ne s'accumulent pas sur la batterie.
  - Ne conservez pas une batterie inutilisée dans un endroit qui est exposé aux copeaux et à la poussière.
  - Avant de stocker une batterie, retirez tous les copeaux et la poussière qui ont pu y adhérer et ne la conservez pas avec des pièces métalliques (vis, clous, etc.).
2. Ne percez pas la batterie à l'aide d'un objet pointu tel qu'un clou. Ne la frappez pas à l'aide d'un marteau. Ne marchez pas dessus, ne la lancez pas et ne la soumettez pas un à choc physique important.

- N'utilisez pas une batterie dont l'extérieur est déformé ou laissez penser qu'elle est défectueuse.
- N'insérez pas la batterie à l'envers (pôles inversés).
- Ne raccordez pas directement la batterie à une prise électrique ou à un allume-cigare.
- N'utilisez pas la batterie à d'autres fins que celle spécifiée.
- En cas d'échec du chargement d'une batterie, même après un certain délai, arrêtez immédiatement le rechargement.
- N'exposez pas la batterie à des températures ou à une pression élevées (four à micro-ondes, séchoir, conteneur sous haute pression).
- Maintenez à la batterie à l'écart de toute flamme en cas de détection d'une fuite ou d'une mauvaise odeur.
- Ne pas utiliser à proximité d'une source puissante d'électricité statique.
- En cas de fuite de la batterie, de mauvaise odeur, de génération de chaleur, de décoloration, de déformation ou d'anomalie en cours d'utilisation, de rechargement ou d'entreposage, ôtez immédiatement la batterie de l'équipement ou du chargeur de batterie et ne l'utilisez plus.
- Ne plongez jamais la batterie dans de l'eau ou tout autre liquide, et ne laissez aucun liquide s'infiltrer à l'intérieur de la batterie. L'entrée de liquides conducteurs, tel que de l'eau, peut causer des dommages pouvant entraîner un incendie ou une explosion. Rangez votre batterie dans un endroit frais et sec, à l'écart d'objets combustibles et inflammables. Les atmosphères corrosives doivent être évitées.

## ⚠ PRÉCAUTION

- En cas de projection dans les yeux de liquide ayant fuit de la batterie, ne vous frottez pas les yeux, rincez-les à l'eau claire et contactez immédiatement un médecin.  
En l'absence de traitement, le liquide peut détériorer l'œil.
- En cas de projection de liquide ayant fuit de la batterie sur votre peau ou vos vêtements, rincez immédiatement ces derniers à l'eau claire (au robinet).  
Le liquide peut provoquer une irritation de la peau.
- En cas de détection de rouille, de mauvaise odeur, de surchauffe, de décoloration, de déformation et/ou autres anomalies lors de la première utilisation de la batterie, n'utilisez pas cette dernière et renvoyez-la au fournisseur ou au fabricant.

## ⚠ AVERTISSEMENT

Un court-circuit risque de se produire et causer un incendie, si un corps étranger conducteur d'électricité passe dans les bornes de la pile au lithium-ion. Veuillez respecter les consignes suivantes pour le rangement de la pile.

- Ne pas mettre d'objet conducteur d'électricité, tels que clous, fil d'acier, de cuivre ou autre fil dans la mallette de rangement.
- Soit ranger le bloc de pile avec l'outil électrique ou de manière sécuritaire en l'enfonçant dans le couvercle jusqu'à ce que les orifices de ventilation soient dissimulés afin d'éviter les courts-circuits. (Voir la Fig. 1)

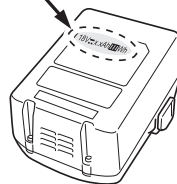
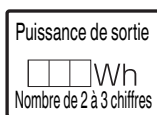
## À PROPOS DU TRANSPORT DE LA BATTERIE LITHIUM-ION

Lors du transport d'une batterie lithium-ion, veuillez observer les précautions suivantes.

### ⚠ AVERTISSEMENT

Informez la société de transport qu'un paquet contient une batterie lithium-ion, informez la société de sa puissance de sortie et suivez les instructions de la société de transport lors de l'organisation du transport.

- Les batteries lithium-ion qui dépassent une puissance de sortie de 100 Wh font partie de la classification de transport de produits dangereux et nécessitent l'application de procédures spéciales.
- Pour un transport vers l'étranger, vous devez vous conformer aux lois internationales et aux normes et réglementations en vigueur dans le pays de destination.





**CONSERVER CES INSTRUCTIONS  
ET  
LES METTRE A LA DISPOSITION DES AUTRES  
UTILISATEURS  
ET  
PROPRIETAIRES DE CET OUTIL!**

# DESCRIPTION FONCTIONNELLE

## REMARQUE

Les informations contenues dans ce mode d'emploi sont conçues pour assister l'utilisateur dans une utilisation sans danger et un entretien de l'outil motorisé.

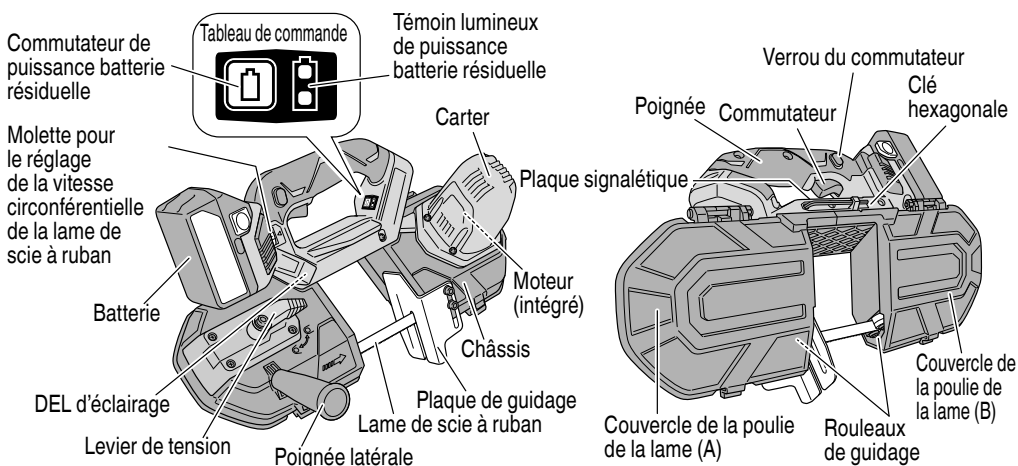
**NE JAMAIS** utiliser ni entreprendre une révision de l'outil sans avoir d'abord lu et compris toutes les instructions de sécurité contenues dans ce manuel.

Certaines illustrations dans ce mode d'emploi peuvent montrer des détails ou des accessoires différents de ceux de l'outil motorisé utilisé.

## NOM DES PARTIES

### 1. Scie à ruban sans-fil (CB18DBL)

La batterie et le chargeur de batterie ne sont pas fournis avec ce produit.



○ Batterie (BSL1850)

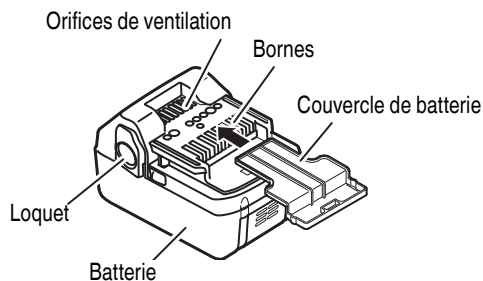


Fig. 2

2. Chargeur de batterie (UC18YFSL)

La batterie et le chargeur de batterie ne sont pas fournis avec ce produit.

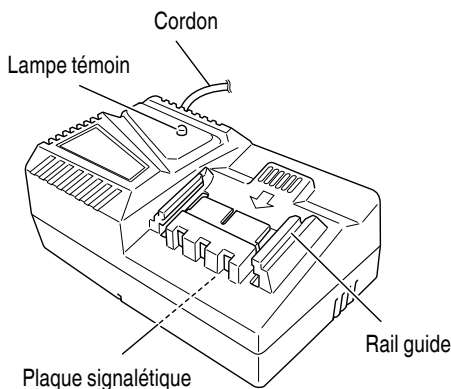


Fig. 3

**SPECIFICATIONS**

1. Scie à ruban sans-fil

Modèle		CB18DBL
Tension		18 V
Type de moteur		Moteur sans balais CC refroidi par ventilateur
Dimensions de la lame de scie à ruban		35 - 3/8" x 1/2" x 0.020" (900 x 12.5 x 0.5 mm)
Vitesse à vide de la lame de scie à ruban	Mode standard (1 - 5)	260 - 640 SFPM (80 - 195 m/min)
	Mode auto (A)	395 SFPM (120 m/min)
Capacité de coupe max.	Tuyau rond	3 - 1/4" (83 mm)
	Tuyau carré	3 - 1/8" x 3 - 1/8" (80 mm x 80 mm)
Longueur totale		16 - 1/4" (413 mm)
Poids (avec BSL1850)		7.7 lb (3.5 kg)

**REMARQUE**

En raison du programme continu de recherche et développement d'metabo HPT, les caractéristiques techniques indiquées dans les présentes sont sujettes à changement sans préavis.

**Commande électronique**

- Démarrage en douceur
- Protection contre les surcharges

Cette fonctionnalité de protection coupe l'alimentation vers le moteur dans le cas d'une surcharge du moteur ou d'une réduction notable de la vitesse rotationnelle pendant le fonctionnement. Quand la fonctionnalité de protection contre les surcharges a été activée, le moteur peut s'arrêter. Dans ce cas, relâchez le commutateur de l'outil et éliminez les causes de la surcharge. Après cela, vous pouvez l'utiliser de nouveau.

- Protection contre les surchauffes  
 Cette fonctionnalité de protection coupe l'alimentation vers le moteur et arrête le moteur dans le cas d'une surchauffe du moteur pendant le fonctionnement. Quand la fonctionnalité de protection contre les surchauffes a été activée, le moteur peut s'arrêter. Dans ce cas, relâchez le commutateur de l'outil et laissez le refroidir pendant quelques minutes. Après cela, vous pouvez l'utiliser de nouveau.

# ASSEMBLAGE ET FONCTIONNEMENT

## UTILISATIONS

- Découpe de différents types de matériaux en acier doux, incluant les tuyaux de canalisation, les tubes en acier inoxydable, les tubes avec revêtement en acier et les tiges en acier
- Découpe de matériaux en métal non ferreux incluant les câbles d'alimentation et de communication et les cadres de fenêtre en aluminium
- Découpe de plastique (le matériau thermoplastique ne peut pas être coupé, car la lame de scie à ruban peut s'enfoncer dans le matériau qui est enclin à fondre lorsque chauffé par la friction de coupe)

## MÉTHODE DE RETRAIT ET D'INSTALLATION DE LA BATTERIE

La batterie et le chargeur de batterie ne sont pas fournis avec ce produit.

1. Retrait de la batterie  
Maintenir fermement la poignée et pousser le taquet de la batterie pour l'enlever (voir Fig. 4).

### ⚠ PRÉCAUTION

Ne jamais court-circuiter la batterie.

2. Mise en place de la batterie  
Insérer la batterie tout en respectant la polarité (voir Fig. 4).

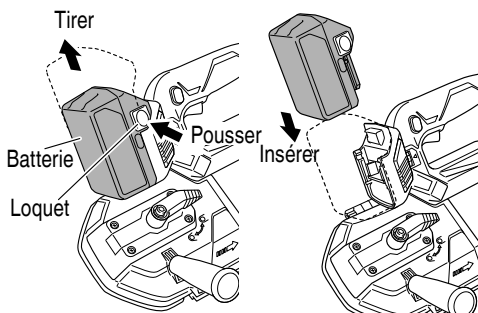


Fig. 4

## MÉTHODE DE RECHARGE

Avant d'utiliser l'outil électrique, chargez la batterie comme suit.

La batterie et le chargeur de batterie ne sont pas fournis avec ce produit.

### REMARQUE

Avant de brancher le chargeur dans la prise, vérifier les points suivants:

- La tension de la source d'alimentation est indiquée sur la plaque signalétique.
- Le cordon n'est pas endommagé.

### ⚠ AVERTISSEMENT

**Ne pas effectuer de recharge à une tension supérieure à la tension indiquée sur la plaque signalétique.**

**Cela brûlerait le chargeur.**

1. Brancher le cordon d'alimentation du chargeur sur une prise secteur.  
Quand vous raccordez la fiche du chargeur à une prise murale, la lampe témoin clignote en rouge. (À intervalles d'une seconde)



### ⚠ AVERTISSEMENT

**Ne pas utiliser le cordon électrique s'il est endommagé. Le faire réparer immédiatement.**

2. Insérer la batterie dans le chargeur de batterie.  
Insérez fermement la batterie dans le chargeur, comme cela est indiqué dans la Fig. 5.

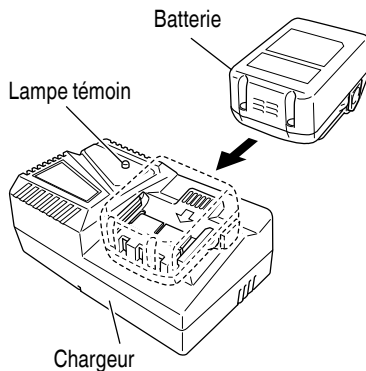


Fig. 5

3. Recharge  
Quand la batterie est raccordée au chargeur de batterie, la recharge commence et la lampe témoin s'allume en rouge. (Voir le Tableau 2)

### REMARQUE

Si la lampe témoin clignote en rouge, débrancher la fiche de la prise et vérifier si la batterie est insérée correctement.

Quand la batterie est rechargée à fond, la lampe témoin clignote lentement en rouge. (À intervalles d'une seconde) (Voir le Tableau 2.)

- (1) Indication de la lampe témoin  
 Les indications de la lampe témoin sont expliquées dans le Tableau 2, selon la condition du chargeur ou de la batterie rechargeable.

Tableau 2

Explications de la lampe témoin			
Lampe témoin (rouge)	Avant la recharge	Clignote	S'allume pendant 0.5 seconde. Ne s'allume pas pendant 0.5 seconde. (Eteint pendant 0.5 seconde) ■ ■ ■ ■ ■ ■ ■ ■ ■ ■ ■ ■ ■ ■ ■ ■
	Pendant la recharge	S'allume	S'allume sans interruption ■ ■ ■ ■ ■ ■ ■ ■ ■ ■ ■ ■ ■ ■ ■ ■
	Recharge terminée	Clignote	S'allume pendant 0.5 seconde. Ne s'allume pas pendant 0.5 seconde. (Eteint pendant 0.5 seconde) ■ ■ ■ ■ ■ ■ ■ ■ ■ ■ ■ ■ ■ ■ ■ ■
	Veille en surchauffe	Clignote	S'allume pendant 1 seconde. Ne s'allume pas pendant 0.5 seconde. (Eteint pendant 0.5 seconde) ■ ■ ■ ■ ■ ■ ■ ■ ■ ■ ■ ■ ■ ■ ■ ■
	Recharge impossible	Clignote	S'allume pendant 0.1 seconde. Ne s'allume pas pendant 0.1 seconde. (Eteint pendant 0.1 seconde) ■ ■ ■ ■ ■ ■ ■ ■ ■ ■ ■ ■ ■ ■ ■ ■
			Batterie en surchauffe. Chargement impossible. (le chargement commencera une fois que la batterie sera froide)
			Anomalie de la batterie ou du chargeur

- (2) Température admissible d'une batterie rechargeable.  
 La température admissible des batteries rechargeables est indiquée dans le Tableau 3, et les batteries qui ont chauffé devront être laissées à refroidir pendant quelque temps avant de pouvoir être rechargées.

Tableau 3 Plage de recharge des batteries

Batteries rechargeables	Température à laquelle la batterie peut être rechargée
BSL1850	32°F - 104°F (0°C - 40°C)

- (3) Durée de recharge (A 68°F (20°C))

Tableau 4 Temps de recharge (A 20°C)

Chargeur	Batterie
UC18YFSL	BSL1850
	Env. 75 min.

**REMARQUE**

Le temps de recharge peut varier en fonction de la température ambiante et de la tension d'alimentation.

4. Débrancher le chargeur de batterie de la prise.

**⚠ PRÉCAUTION**

**Ne pas débrancher la fiche de la prise en tirant sur le cordon.**

**Pour éviter tout dommage lorsqu'on débranche la fiche de la prise, bien tenir la fiche proprement dite.**

5. Retirer la batterie du chargeur de batterie.  
 Sortir la batterie du chargeur tout en la soutenant de la main.

**REMARQUE**

Après l'utilisation, commencer par sortir les batteries du chargeur, puis conserver les batteries correctement.

**⚠ AVERTISSEMENT**

- Si le chargeur a fonctionné pendant longtemps de suite, il sera chaud, ce qui risque de provoquer des pannes. Lorsque la recharge est terminée, laisser le chargeur refroidir pendant environ 15 secondes avant de passer à la recharge suivante.
- Si la batterie est chaude quand elle est rechargée, parce qu'elle est restée longtemps en plein soleil ou parce qu'elle vient juste d'être utilisée, la lampe pilote du chargeur clignote en s'allumant pendant 1 seconde, puis en s'éteignant pendant 0.5 seconde. Dans une telle éventualité, laisser la batterie refroidir, puis procéder à la recharge.

- Lorsque le témoin lumineux clignote rapidement en rouge (à un intervalle de 0,2 secondes), vérifier et retirer tout objet étranger dans le connecteur de la batterie du chargeur. S'il n'y a pas de corps étrangers, il s'agit probablement d'une anomalie de la batterie ou du chargeur. Les porter au service après-vente agréé.
- Comme le micro-ordinateur intégré nécessite environ 3 secondes pour confirmer le chargement de la batterie lorsque le chargeur est retiré, attendez au moins 3 secondes avant de le réinsérer pour poursuivre le chargement. Si la batterie est réinsérée dans un délai de 3 secondes, elle n'est peut-être pas correctement chargée.
- Si la lampe témoin ne clignote pas en rouge (toutes les secondes), même avec le cordon du chargeur branché sur l'alimentation, cela indique que le circuit de protection du chargeur est peut-être activé. Débrancher le cordon ou la fiche de l'alimentation, puis rétablir la connexion au bout d'une trentaine de secondes. Si cela ne provoque toujours pas le clignotement en rouge (toutes les secondes) de la lampe témoin, apporter le chargeur dans un service après-vente metabo HPT agréé.

## AVANT L'UTILISATION

1. Préparatifs et inspection de la zone de travail  
S'assurer que la zone de travail remplit les conditions citées dans le chapitre des précautions générales.
2. Installation de la poignée latérale  
Veillez à installer la poignée latérale et à utiliser les deux mains pendant le fonctionnement. Autrement, des blessures sont possibles. (Voir Fig. 6)

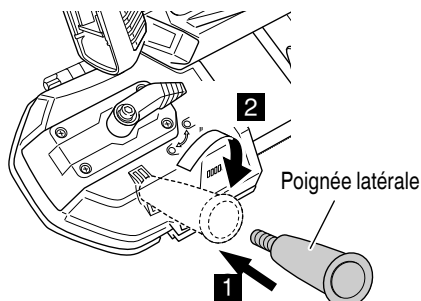


Fig. 6

3. Vérification de la batterie  
Veillez à ce que la batterie soit installée fermement. Si elle est lâche, elle pourrait se détacher et causer un accident.
4. Rangement de la clé hexagonale  
La clé hexagonale incluse peut être rangée dans l'unité principale. Rangez l'outil pour éviter de le perdre. (Voir Fig. 7)

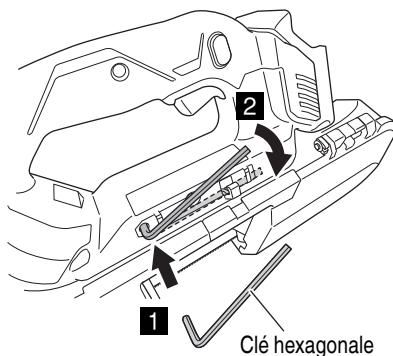


Fig. 7

5. Réglage de la partie saillante de la plaque de guidage

### ⚠ PRÉCAUTION

- Veillez à couper l'alimentation et à déconnecter la batterie du corps lors du réglage de la partie saillante de la plaque de guidage.

Lors du fonctionnement normal, faites dépasser la plaque de guidage vers le côté A complètement. Desserrez les deux boulons à tête cylindrique à six pans creux avec la clé hexagonale jointe, puis faites glisser la plaque de guidage, fixez-la en serrant les deux boulons à tête cylindrique à six pans creux fermement.

Lorsque la plaque de guidage frappe contre des obstacles comme un mur ou similaire à la fin d'une coupe, glissez-la à la position appropriée. (Voir Fig. 8)

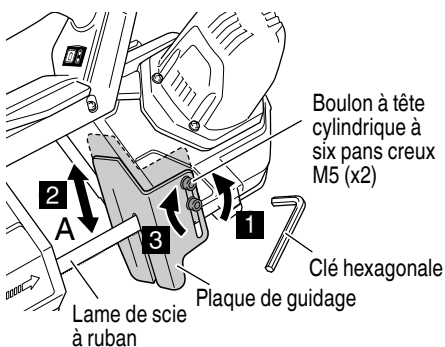


Fig. 8

6. Fonctionnement du commutateur (Fig. 9)  
Tirer sur le commutateur tout en poussant le verrou du commutateur dans l'un des sens indiqués par la flèche fera tourner la lame de scie à ruban tout en allumant la DEL d'éclairage. Après que le commutateur soit activé et reste tiré, la lame de scie à ruban va continuer de tourner même si le verrou du commutateur est relâché.

En outre, la DEL d'éclairage va rester allumée. Quand vous relâchez le commutateur, la révolution de la lame de scie à ruban cesse et la DEL d'éclairage s'éteint automatiquement approximativement 15 secondes.

**⚠ PRÉCAUTION**

**Ne regardez pas directement la lumière du voyant DEL. Une exposition continue et directe à la lumière du voyant DEL peut blesser vos yeux.**

**1 + 2 = I**

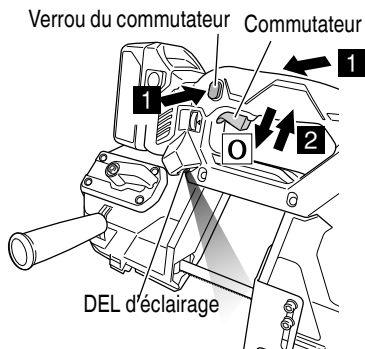


Fig. 9

**REMARQUE**

- Avec un chiffon doux, essuyez tout corps étranger qui a adhéré à la lentille de la DEL d'éclairage, en prenant soin de ne pas érafler la lentille. Les éraflures sur la DEL d'éclairage peuvent réduire la luminosité de la lumière.
  - Lors du nettoyage de la lentille de la DEL d'éclairage, n'essuyez pas avec de l'essence, du diluant, etc. À défaut, la lentille sera endommagée.
7. À propos de l'indicateur de l'état de charge de la batterie
- Lorsque vous appuyez sur le commutateur de l'indicateur de l'état de charge de la batterie s'allume, le témoin lumineux de l'indicateur de l'état de charge de la batterie s'allume et vous pouvez vérifier ce qu'il reste comme charge dans celle-ci. (Fig. 10) Lorsque vous relâchez le commutateur d'indication de l'état de charge de la batterie, le témoin lumineux de l'indicateur de l'état de charge de la batterie s'éteint. Le Tableau 5 montre le témoin lumineux de l'état de charge de la batterie et ce qu'il reste comme charge dans la batterie.

Tableau 5

Etat de la lampe	Charge restante de la batterie
	La charge restante de la batterie est suffisante.
	La charge restante de la batterie est à la moitié.
	La charge restante de la batterie est presque nulle. Rechargez la batterie le plus vite possible.

Le témoin lumineux de l'état de charge de la batterie peut s'allumer différemment selon la température ambiante et les caractéristiques de la batterie. Utilisez donc ce tableau comme référence.

Commutateur de puissance batterie résiduelle      Témoin lumineux de puissance batterie résiduelle

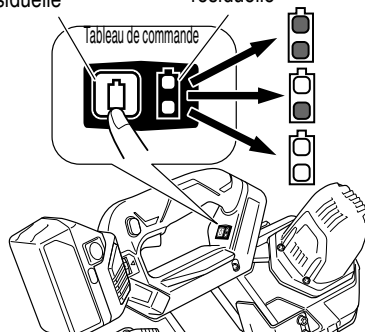


Fig. 10

**REMARQUE**

- Ne donnez pas de choc violent au panneau d'interrupteurs et ne le cassez pas. Cela peut provoquer des défaillances.
- Pour limiter la consommation en alimentation de la batterie, le témoin lumineux de l'état de charge de la batterie ne s'allume que lorsqu'on active l'interrupteur de l'indicateur d'état de charge de la batterie.
- À moins que l'alimentation soit sous tension après avoir installé la batterie dans l'unité, le témoin lumineux de puissance batterie résiduelle ne s'allume pas quand le commutateur de puissance batterie résiduelle est enfoncé.

8. Réglage de la vitesse de fonctionnement (Fig. 11)

**⚠ PRÉCAUTION**

**Utilisez la molette de réglage de vitesse circconférentielle de la lame de scie à ruban pour sélectionner la vitesse circconférentielle la mieux adaptée à la pièce.**

**L'utilisation d'une vitesse circonférentielle de lame de scie à ruban inadaptée pour couper une pièce n'affecte pas seulement négativement la précision de coupe, mais peut aussi causer des dommages à la lame de scie à ruban.**

Cet appareil est équipé d'un circuit de commande électronique qui permet à la vitesse circonférentielle de la lame de scie à ruban d'être ajustée librement. Avant d'utiliser l'appareil, utilisez le cadran de réglage de la vitesse circonférentielle de lame de scie à ruban pour régler un mode qui convient aux propriétés, l'épaisseur et les conditions de tâche de la pièce en cours d'usinage.

- En mode standard, la vitesse circonférentielle de la lame de scie à ruban peut être librement réglée de 1 à 5 sur le cadran. Sur le cadran, 1 est la vitesse la plus basse et 5 est la vitesse la plus élevée. En mode standard, la vitesse circonférentielle qui est réglée avec la molette est maintenue même lorsque la charge change.

- En mode AUTO (« A » sur le cadran), vous pouvez réduire ce bruit et la durée de fonctionnement peut être prolongée en réduisant la vitesse circonférentielle lorsqu'il n'y a pas de charge.

En mode AUTO, si une charge est appliquée pendant le fonctionnement, la vitesse circonférentielle augmente automatiquement. (Équivalent de 5 sur le cadran)  
De plus, si la charge s'allège après que la coupe soit terminée, la vitesse circonférentielle est automatiquement diminuée, réduisant la consommation électrique quand il n'y a pas de charge.

Molette pour le réglage de la vitesse circonférentielle de la lame de scie à ruban

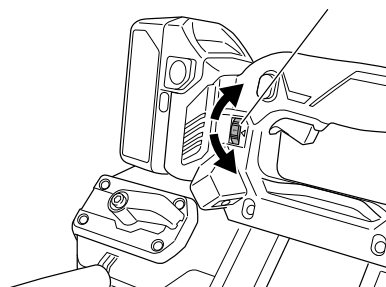


Fig. 11

Tableau 6 Vitesse de fonctionnement

Mode	Molette	Vitesse circonférentielle de la lame de scie à ruban (à titre d'information)	Utilisations
Mode standard	1 ▲ Vitesse basse	260 SFPM (80 m/min)	▲ Difficile de couper des matériaux comme de l'acier inoxydable et des alliages Matériaux en acier (Les matériaux épais incluant les tiges cylindriques, les poutres en I et les tubes en acier) (Épaisseur de 0.14" (3.5 mm) ou plus) Matériaux en acier (Les matériaux fins incluant les tubes en acier) (Épaisseur inférieure à 0.14" (3.5 mm)) ▼
	2	358 SFPM (109 m/min)	
	3	453 SFPM (138 m/min)	
	4	545 SFPM (166 m/min)	
	5 ▼ Grande vitesse	640SFPM (195 m/min)	
Mode AUTO*	A	395 SFPM (120 m/min) (sans charge)	Fonctionnement au ralenti
		640 SFPM (195 m/min) (avec charge)	Opération de coupe

\* Les vitesses circonférentielles peuvent varier de celles énoncées ci-dessus en fonction des conditions de fonctionnement.



9. Sélection de la lame de scie à ruban

**⚠ PRÉCAUTION**

- Utilisez une lame de scie à ruban appropriée à la pièce.

L'utilisation d'une lame de scie à ruban inadaptée pour couper une pièce n'affecte pas seulement négativement la précision de coupe, mais peut aussi causer des dommages à la lame de scie à ruban.

- Quand vous sélectionnez le nombre de dents pour une lame de scie à ruban, votre choix standard devrait être une lame qui dépasse l'épaisseur de la pièce de deux dents ou plus.

Sélectionnez une lame de scie à ruban basée sur l'épaisseur de la pièce à couper, au moyen du Tableau 7 à titre d'information.

Tableau 7 Tableau de sélection des lames de scie à ruban (utilisez la lame de scie à ruban indiquée avec un symbole ✓)

Épaisseur (pouce)	Lame de scie à ruban	
	Matériau : Bimétal	
	18 (dents/pouce)	14 (dents/pouce)
Inférieur à 1/8	✓	
1/8 – 1/4	✓	✓
Supérieur à 1/4		✓

10. Remplacement de la lame de scie à ruban

**⚠ AVERTISSEMENT**

- Lors du remplacement de la lame de scie à ruban, veillez à couper l'alimentation et à retirer la batterie de l'outil sans fil.
- Soyez prudent quand vous changez ou inspectez la lame de scie à ruban, car elle peut quelquefois jaillir.

**⚠ PRÉCAUTION**

- Portez des gants quand vous changez la lame de scie à ruban.
- La lame de scie à ruban est chaude immédiatement après le fonctionnement. Retirez-la seulement après qu'elle ait refroidi.

**Comment retirer (Fig. 12)**

Desserrez le levier de tension dans le sens indiqué dans la figure.

Ouvrez le couvercle en appuyant sur les onglets du couvercle de la poulie de lame (A) et (B).

Comme la figure sur la droite, insérez un tournevis entre le côté de la lame de scie à ruban et le châssis.

À mesure que vous appuyez le tournevis contre le côté de la lame de scie à ruban, inclinez le tournevis vers le sens de rotation de la lame de scie à ruban. En tournant lentement la lame de scie à ruban, la lame va se détacher de la poulie de la lame (A).

Retirez la lame de scie à ruban.

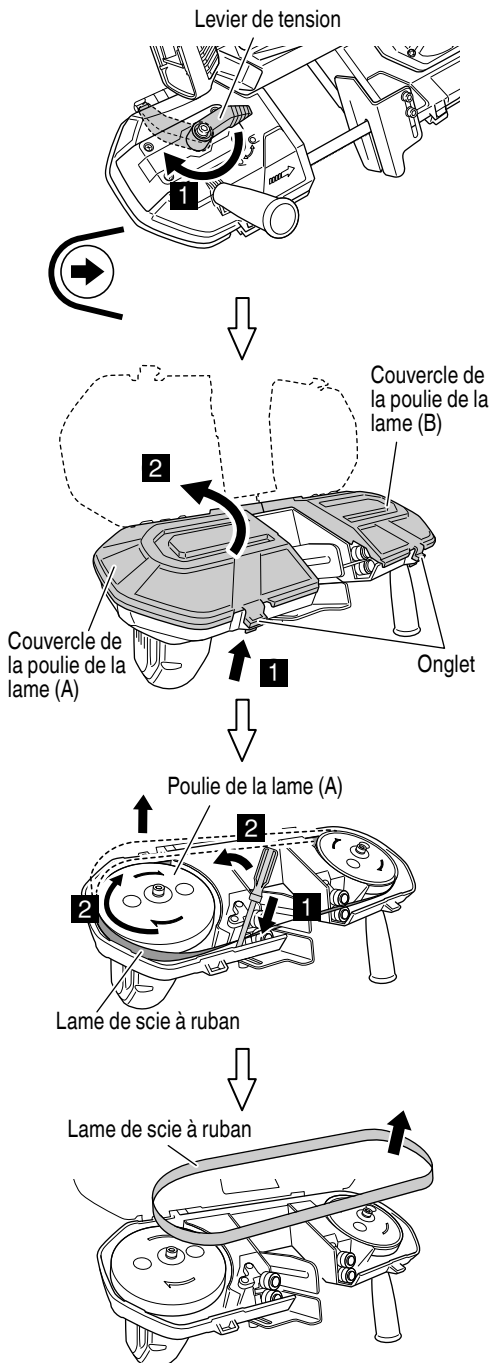


Fig. 12

**Comment installer (Fig. 13)**

En faisant attention au sens de rotation et à l'orientation de la lame de scie à ruban (voir la figure), placez la lame de scie à ruban dans le rouleau de guidage (A) et (B), en installant la lame de scie à ruban jusqu'à ce qu'elle entre en contact avec le support de roulement à bille arrière de la lame de scie à ruban.

En tenant la lame de scie à ruban en place de sorte qu'elle ne se détache pas, placez la lame de scie à ruban dans la poulie de la lame (B), puis (A), dans cet ordre.

À ce point, assurez-vous que la lame de la lame de scie à ruban ne fasse pas saillie depuis les bords de la poulie de la lame (A) et que la lame de scie à ruban ne glisse pas sur la portion du collier de la poulie de la lame (B). En tenant la lame de scie à ruban en place, tournez le levier de tension dans le sens du serrage et fixez la lame de scie à ruban.

À ce point, tournez la poulie de la lame (A) dans le sens de rotation avec vos mains et assurez-vous que la lame de scie à ruban ne se détache pas.

Fermez le couvercle de la poulie de la lame (A) et (B).

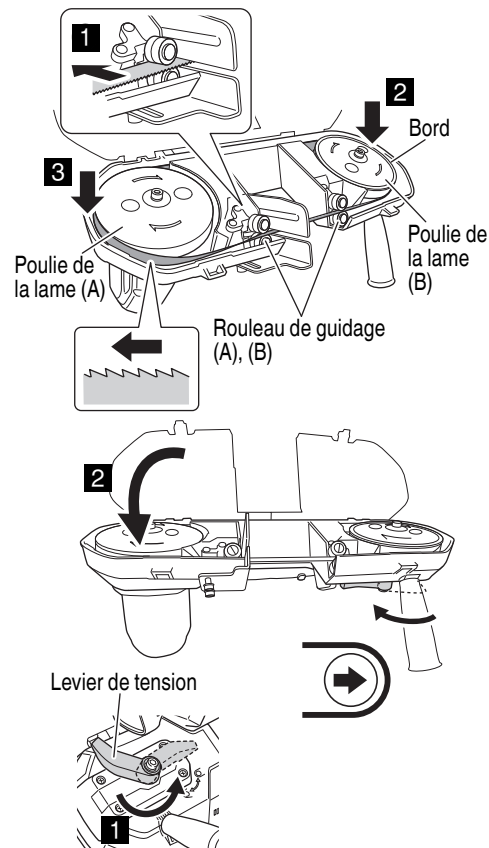


Fig. 13

**REMARQUE**

- Minimisez la découpe à chaud avec la lame de scie à ruban. La coupe à chaud réduit la durée de service de la lame de scie à ruban.
- Vérifiez qu'il n'y a pas de crans, fissures ou autres anomalies sur la lame de scie à ruban avant de l'installer.
- Essuyez toute trace d'huile ou de saleté adhérant à la lame de scie à ruban avant de l'installer sur les poulies de lame. De plus, essuyez toute saleté ou tous copeaux adhérant aux caoutchoucs de poulie de lame. Si une lame de scie à ruban qui a de l'huile ou de la saleté adhérant est installée sur les poulies de la lame, la lame de scie à ruban risque de glisser ou de se desserrer.
- Lors de l'installation de la lame de scie à ruban, ne tordez ou ne pliez pas son joint. Cela pourrait endommager la lame de scie à ruban.

**⚠ PRÉCAUTION: relatives a la batterie au lithium ion**

Pour prolonger sa durée de vie, la batterie lithium-ion est équipée d'une fonction de protection qui coupe automatiquement l'alimentation. Par conséquent, en cas de surcharge de l'outil, il est possible que le moteur s'arrête. Il ne s'agit cependant pas d'un dysfonctionnement, mais du fonctionnement normal de la protection. Dans ce cas, actionnez le commutateur de l'outil et éliminez les causes de la surcharge.

**⚠ PRÉCAUTION**

- Lorsque vous mettez l'outil en marche, assurez-vous que la lame de scie à ruban n'est pas en contact avec la pièce. Autrement, des blessures sont possibles.
- Pour l'efficacité de coupe, changez la vitesse de la lame de scie à ruban selon les conditions de fonctionnement et les pièces à couper.
- N'appliquez pas de pression inutile quand vous faites fonctionner l'outil. Autrement, la lame de scie à ruban peut être endommagée.
- Après utilisation, veillez à ne pas placer l'outil près des copeaux avant qu'il ne s'arrête complètement, car l'outil peut aspirer ces particules.

## OPÉRATION DE COUPE

### ⚠ AVERTISSEMENT

- **Veiller impérativement à laisser l'interrupteur sur OFF et à retirer la batterie pour empêcher tout accident.**
- **Pendant le fonctionnement, ne pas placer le visage ou les mains à proximité de l'outil d'application de l'unité.**

- Sélectionnez une lame de scie à ruban (les dents/pouce de la lame de scie à ruban) et une vitesse de fonctionnement de la lame de scie à ruban qui est adaptée pour les propriétés et l'épaisseur de la pièce à usiner.

- Lors de l'utilisation d'une nouvelle lame de scie à ruban, veillez à régler le cadran de réglage de la vitesse de fonctionnement de la lame de scie à ruban à « 1 » et effectuez 1 – 2 coupes de préchauffage avec une charge de coupe légère (tout en tirant légèrement vers le haut sur le produit) sur un objet d'un diamètre extérieur de 3/4" ou moins comme une tige cylindrique (acier en carbone).

Si vous ne suivez pas les coupes de préchauffage, cela peut causer des entailles sur le bord de la lame et diminuer la précision de coupe.

- Ne coupez pas le matériau thermoplastique. Il peut fondre à cause de la chaleur de friction de coupe qui peut résulter dans le coincement de la lame de scie à ruban dans le matériau, ce qui peut causer un blocage du moteur.
- Ne coupez pas de matériaux durs, comme par exemple l'acier trempé.
- S'il y a un jeu entre la plaque de guidage et la pièce, la pièce peut changer de position de manière imprévisible et causer une rupture de la lame de scie à ruban.
- N'appliquez pas des charges excessives à la lame de scie à ruban.
- Lorsque la pièce est mince (0.08" ou moins), coupez avec le morceau soulevé légèrement.

- Concernant le fonctionnement en continu Cet outil est équipé d'un circuit de protection thermique pour la protection du moteur ainsi que les composants de commande d'entraînement du moteur électronique.

Si l'outil est utilisé en continu, la température de l'appareil peut augmenter et activer le circuit de protection thermique, arrêtant automatiquement le fonctionnement. Dans ce cas, laissez la machine refroidir suffisamment.

Une fois que la température a diminué, l'outil est prêt à être utilisé.

Dans le cas où le stockage de la batterie est modifié pendant le fonctionnement en continu,

laissez l'outil sans fil reposer pendant environ 15 minutes avant de reprendre l'utilisation.

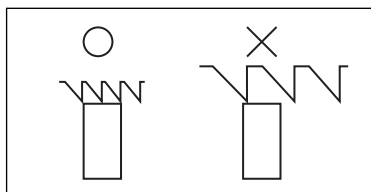
Si le fonctionnement reprend dès que la batterie est modifiée, les températures du moteur, du commutateur, etc. deviennent très élevées et peuvent causer un dysfonctionnement ou des dommages.

- Concernant le maintien de l'unité et la force d'application Maintenez l'outil de manière sûre avec les deux mains.

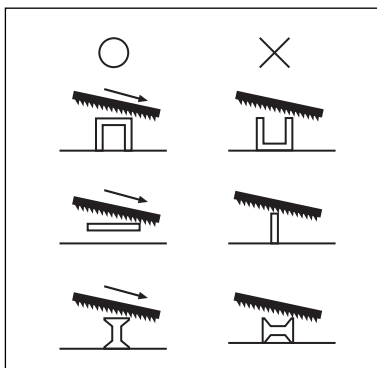
Lorsque vous tenez l'appareil, veillez à ce que la lame de scie à ruban soit perpendiculaire à la pièce.

De plus, il n'est pas nécessaire d'appuyer sur l'appareil avec une force excessive.

Soyez conscient qu'appliquer un geste de levier trop excessif ou appuyer sur l'outil avec une trop grande force peut causer le dysfonctionnement de l'appareil ou des dommages.



Pour une coupe stable, gardez toujours au moins deux dents dans la coupe.



Sélectionnez la position de coupe adéquate pour votre pièce en vous référant à la figure.

1. Appuyez la pièce contre la plaque de guidage (Fig. 14)

Appuyez la pièce contre la plaque de guidage dans une position où il n'y a pas de contact avec la lame de scie à ruban.

- Appuyez sur le commutateur et coupez (Fig. 14)  
Quand les révolutions sont stables, évitez tout impact soudain sur la scie à ruban et amenez délicatement la scie à ruban sur la pièce à découper. Quand vous complétez une coupe, tenez l'outil fermement, ainsi il ne va pas tomber contre la pièce.

Plaque de guidage

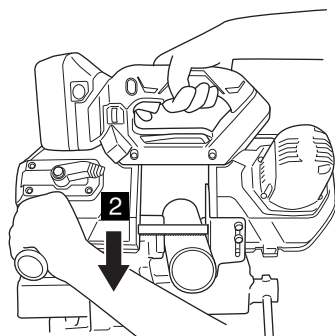
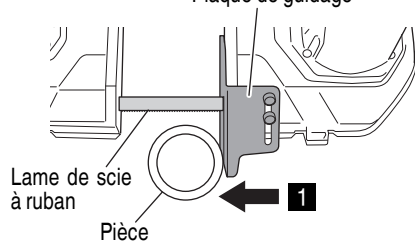


Fig. 14

# ENTRETIEN ET INSPECTION

- ⚠ **AVERTISSEMENT:** Veillez à éteindre l'interrupteur et à retirer la batterie.  
Veillez à porter des gants lorsque vous manipulez la lame de scie à ruban.

## 1. Remplacement de la lame scie à ruban (Fig. 12, 13)

Si la lame de scie à ruban devient terne, il en résulte une surcharge du moteur et les différentes parties de l'outil ainsi qu'une baisse de son efficacité.

Ne tardez pas à remplacer la lame de scie à ruban.

## 2. Inspection des caoutchoucs de poulie de lame (Fig. 15)

Les caoutchoucs de la poulie de lame sont installés sur les circonférences extérieur des poulies de lame (2 emplacements). (Type adapté)

Lors du remplacement de la lame de scie à ruban, inspectez les caoutchoucs de la lame de poulie pour les affaissement ou les dommages.

S'il y a des affaissement ou des dommages, demandez un remplacement du centre de réparations metabo HPT autorisé, car il peut en résulter un fonctionnement instable de la lame de scie à ruban ou son détachement.

### REMARQUE

Retirez tous les copeaux périodiquement, etc. qui se sont accumulés aux caoutchoucs de la poulie de la lame.

Le non-respect de cette consigne pourrait causer le patinage de la lame de scie à ruban et/ou des blessures.

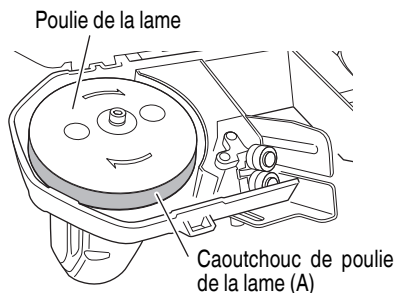


Fig. 15

## 3. Inspection des supports de roulement à bille arrière de la lame de scie à ruban (Fig. 16)

Contrôlez périodiquement les supports de roulement à bille de la lame de scie à ruban arrière à l'intérieur des support de roulement à billes pour déceler des traces d'usure.

Si les supports de roulement à bille arrière de la lame de scie à ruban sont usés, il y aura une force excessive sur la lame de scie à ruban risquant d'endommager la lame de scie à ruban.

Si les supports de roulements à bille lame de scie à ruban arrière sont usés, demandez des remplacements à un centre de réparations metabo HPT autorisé.

Support de roulement à bille arrière de la lame de scie à ruban

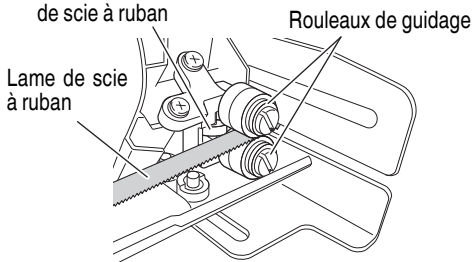


Fig. 16

## 4. Inspection des rouleaux de guidage de la lame de scie à ruban et réglages des interstices (Fig. 17)

Après une utilisation continue de l'unité, les interstices entre les rouleaux de guidage de la lame de scie à ruban peuvent devenir plus larges.

Si les interstices deviennent plus larges, la lame de scie à ruban peut se pencher, résultant en une précision de coupe réduite.

Inspectez périodiquement si les interstices entre les rouleaux de guidage de la lame de scie à ruban sont appropriés (les rouleaux touchent légèrement la lame de scie à ruban), et effectuez tout réglage si nécessaire.

De plus, si les rouleaux de guidage de la lame de scie à ruban sont endommagés, confiez leur remplacement au centre de réparations metabo HPT autorisé.

① Ouvrez le couvercle de la poulie de la lame et retirez la lame de scie à ruban.

(Voir Fig. 12 pour le retrait de la lame de scie à ruban)

② Utilisez un tournevis à tête cruciforme pour desserrer les vis et retirez les porte-roulements (A) et (B) de l'unité.

③ Utilisez un tournevis plat pour desserrer les broches de roulement.

Placez la lame de scie à ruban entre les rouleaux de guidage et serrez les broches de roulement, en réglant au besoin pour s'assurer que la lame est légèrement en contact avec les supports.

- ④ Placez les porte-roulements (A) et (B) dans l'unité et installez la lame de scie à ruban.  
(Voir Fig. 13 pour l'installation de la lame de scie à ruban)

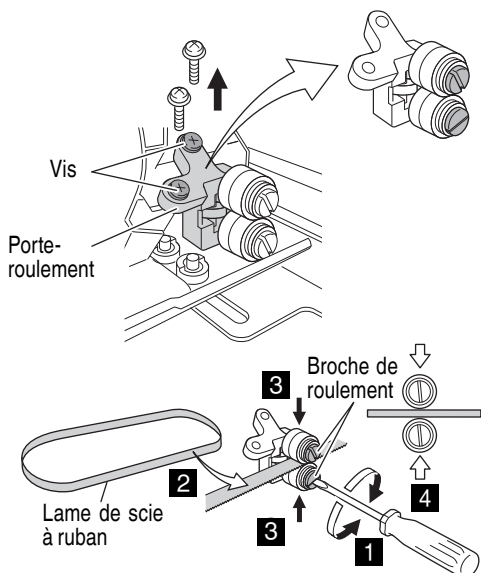
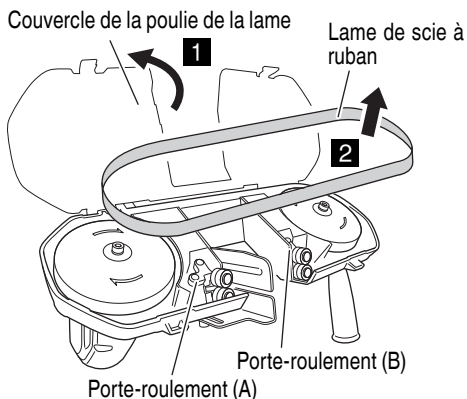
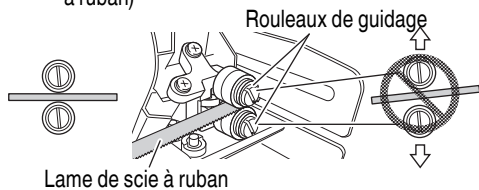


Fig. 17

5. Vérifier les vis  
Des vis mal serrées sont dangereuses. Les inspecter régulièrement et vérifier qu'elles sont serrées à fond.

**⚠ PRÉCAUTION**  
Il serait extrêmement dangereux d'utiliser cet outil électrique avec des vis mal serrées.

6. Entretien du moteur  
Le bobinage de l'ensemble moteur est le "gcœur" même de l'outil électro-portatif.  
Veiller soigneusement à ce que ce bobinage ne soit pas endommagé et/ou mouillé par de l'huile ou de l'eau.
7. Vérifier s'il y a de la poussière  
Enlever la poussière avec un chiffon doux ou un chiffon humecté d'eau savonneuse. Ne pas utiliser de décolorant, chlorure, essence ou diluant, car ces produits pourraient endommager le plastique.
8. Mise au rebut d'une batterie usée

**⚠ AVERTISSEMENT**  
Ne pas jeter la batterie usée aux ordures ménagères. La batterie risque d'exploser si elle est incinérée. L'appareil que vous avez acheté renferme une batterie rechargeable. La batterie est recyclable. Lorsqu'elle a atteint sa limite de service, selon les lois des états et les lois locales, il peut être illégal de jeter cette batterie aux ordures ménagères. Vérifier auprès de son service de ramassage d'ordures les options de recyclage et la procédure correcte de mise au rebut.

9. Rangement  
Ranger dans un lieu dont la température est inférieure à 104°F (40°C), et hors de portée des enfants.

### REMARQUE

Stockage des batteries au lithium-ion  
Assurez-vous que les batteries au lithium-ion ont été entièrement chargées avant de les stocker.  
Le stockage prolongé (3 mois ou plus) de batteries faiblement chargées peut entraîner une détérioration des performances, réduisant considérablement la durée d'autonomie des batteries alors incapables de tenir une charge.  
Il est cependant possible de recouvrer la capacité d'autonomie d'une batterie considérablement endommagée en alternant deux à cinq fois charge et utilisation.  
Si la durée d'autonomie de la batterie reste extrêmement courte malgré les charges et utilisations consécutives, considérez la batterie en fin de vie et procurez-vous en une neuve.

#### 10. Entretien et réparation

Tous les outils motorisés de qualité auront éventuellement besoin d'une réparation ou du remplacement d'une pièce à cause de l'usure normale de l'outil. Pour assurer que seules des pièces de rechange autorisées seront utilisées, tous les entretiens et les réparations doivent être effectués uniquement par UN CENTRE DE SERVICE metabo HPT AUTORISÉ.

#### **PRÉCAUTION**

**Lors de l'utilisation et de l'entretien d'un outil électrique, respecter les règlements et les normes de sécurité en vigueur dans le pays en question.**

#### **Avis important sur les batteries pour outils électriques sans fil metabo HPT**

Toujours utiliser une de nos batteries originales spécifiées. Nous ne saurions garantir la sécurité et la performance de notre outil électrique sans fil s'il est utilisé avec une batterie autre que celle que nous avons spécifié, ou encore si la batterie est démontée et modifiée (par exemple, le démontage et remplacement des cellules ou autres composants internes).

# ACCESSOIRES

## ⚠ AVERTISSEMENT

Toujours utiliser uniquement des pièces de rechange et des accessoires metabo HPT. NE JAMAIS utiliser de pièce de rechange ou d'accessoires qui ne sont pas prévus pour être utilisés avec cet outil. En cas de doute, contacter metabo HPT pour savoir si une pièce de rechange ou un accessoire particulier peuvent être utilisés en toute sécurité avec votre outil.

L'utilisation de tout autre attachement ou accessoire peut être dangereux et peut causer des blessures ou des dommages mécaniques.

## REMARQUE

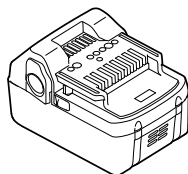
Les accessoires sont sujets à changement sans obligation de la part de metabo HPT.

## ACCESSOIRES STANDARD

CB18DBL (NN)	○	Lame de scie à ruban (Bimétal 18 TPI) .....	1
	○	Poignée latérale (No de code 981828) .....	1
	○	Clé hexagonale (No de code 944458) .....	1
	La batterie, le chargeur de batterie, le boîtier en plastique et le couvercle de la batterie ne sont pas fournis.		

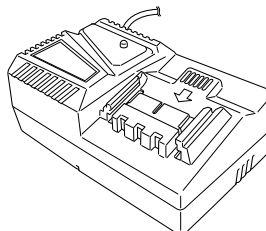
## ACCESSOIRES EN OPTION .....vendus séparément

1. Batterie



BSL1850 (N° de code 335791)

2. Chargeur de batterie



UC18YFSL

3. Lame de scie à ruban

Bimétal	18 TPI (3 pièces par paquet)	No de code. 338431
	14 TPI (3 pièces par paquet)	No de code. 338430

## REMARQUE



Les spécifications sont sujettes à modification sans aucune obligation de la part de metabo HPT.



# DÉPANNAGE

Consulter le tableau d'inspection ci-après si l'outil ne fonctionne pas correctement. Si le problème n'est pas réglé, veuillez vous adresser au concessionnaire ou à un centre de réparations metabo HPT.

Symptôme	Cause probable	Solution
L'unité ne fonctionne pas/ est à l'arrêt	La capacité de la batterie est usée	Chargez la batterie.
Cette unité s'est brusquement arrêtée	Cette unité est surchargée	Éliminez la cause de la charge importante.
	La batterie est en surchauffe	Laissez la batterie refroidir suffisamment.
La lame de scie à ruban est desserrée	Il y a de l'huile ou de la saleté adhérent à la lame de scie à ruban ou à la pièce	Essuyez l'huile ou la saleté adhérent à la lame de scie à ruban ou à la pièce.
	La lame de scie à ruban n'est pas installée correctement	Installez la lame de scie à ruban correctement. (Voir « Remplacement de la lame de scie à ruban »)
La lame de scie à ruban se lie dans la pièce	Une lame de scie à ruban appropriée pour la pièce n'est pas utilisée	Sélectionnez la lame de scie à ruban correcte. (Voir « Sélection de la lame de scie à ruban »)
	Une lame de scie à ruban à vitesse de fonctionnement appropriée pour la pièce n'est pas utilisée	Sélectionnez la vitesse de fonctionnement de la lame de scie à ruban correcte. (Voir « Réglage de la vitesse de fonctionnement »)
La précision de coupe est mauvaise	La lame de scie à ruban est usée	Remplacez la lame de scie à ruban par une neuve.
	Une lame de scie à ruban appropriée pour la pièce n'est pas utilisée	Sélectionnez la lame de scie à ruban correcte. (Voir « Sélection de la lame de scie à ruban »)
	Une lame de scie à ruban à vitesse de fonctionnement appropriée pour la pièce n'est pas utilisée	Sélectionnez la vitesse de fonctionnement de la lame de scie à ruban correcte. (Voir « Réglage de la vitesse de fonctionnement »)
	La lame de scie à ruban n'est pas installée correctement	Installez la lame de scie à ruban correctement. (Voir « Remplacement de la lame de scie à ruban »)
	Les écarts entre les supports de roulement à bille de la lame de scie à ruban sont devenus larges	Réglez correctement les écarts. (Voir « Inspection des rouleaux de guidage de la lame de scie à ruban et réglages des interstices »)
	Une lame de scie à ruban qui n'est pas autorisée par le fabricant est en cours d'utilisation	Utilisez une lame de scie à ruban qui est autorisée par le fabricant.
	Des coupes de préchauffage suffisants n'ont pas été effectuées	Avec le cadran de réglage de la vitesse de fonctionnement de la lame de scie à ruban réglé sur « 1 », effectuez 1 ou 2 coupes de préchauffage avec charge légère de coupe tel qu'une tige cylindrique (acier au carbone, etc.) d'un diamètre extérieur de 3/4" ou moins.

Symptôme	Cause probable	Solution
La coupe prend un certain temps	La lame de scie à ruban se trouve dans le mauvais sens   Sens de rotation	Installez la lame de scie à ruban correctement. (Voir « Remplacement de la lame de scie à ruban »)   Sens de rotation
	Une lame de scie à ruban appropriée pour la pièce n'est pas utilisée	Sélectionnez la lame de scie à ruban correcte. (Voir « Sélection de la lame de scie à ruban »)
	La vitesse de fonctionnement de la lame de scie à ruban n'est pas appropriée pour la pièce	Sélectionnez la vitesse de fonctionnement de la lame de scie à ruban correcte. (Voir « Réglage de la vitesse de fonctionnement »)
	La lame de scie à ruban est usée	Remplacez la lame de scie à ruban.
	La charge de la batterie restante est faible	Chargez l'accumulateur.
Il y a d'importantes vibrations lors de la coupe	Le bord de la lame de scie à ruban est ébréché	Remplacez la lame de scie à ruban.
	Une lame de scie à ruban appropriée pour la pièce n'est pas utilisée	Sélectionnez la lame de scie à ruban correcte. (Voir « Sélection de la lame de scie à ruban »)
	La vitesse de fonctionnement de la lame de scie à ruban n'est pas appropriée pour la pièce	Sélectionnez la vitesse de fonctionnement de la lame de scie à ruban correcte. (Voir « Réglage de la vitesse de fonctionnement »)
Le bord de la lame devient souvent ébréché	L'unité est pressée trop fortement lors de la coupe	Coupez à l'aide du propre poids de l'appareil ou tout en appuyant doucement.
	La lame de scie à ruban a heurté la pièce	Placez la lame de scie à ruban à proximité de la pièce et démarrez la coupe lentement et doucement.
	La pièce s'est déplacée pendant la coupe	Attachez la pièce fermement avec un étau, etc.
	Une lame de scie à ruban appropriée pour la pièce n'est pas utilisée	Sélectionnez la lame de scie à ruban correcte. (Voir « Sélection de la lame de scie à ruban »)
	La vitesse de fonctionnement de la lame de scie à ruban n'est pas appropriée pour la pièce	Sélectionnez la vitesse de fonctionnement de la lame de scie à ruban correcte. (Voir « Réglage de la vitesse de fonctionnement »)

## INSTRUCCIONES IMPORTANTES SOBRE SEGURIDAD

Antes de utilizar o de realizar cualquier trabajo de mantenimiento de esta herramienta eléctrica, lea todas las precauciones de seguridad, advertencias e instrucciones de funcionamiento de este manual de instrucciones.

La mayoría de los accidentes producidos en la operación y el mantenimiento de una herramienta eléctrica se deben a la falta de observación de las normas o precauciones de seguridad. Los accidentes normalmente podrán evitarse reconociendo una situación potencialmente peligrosa a tiempo y siguiendo los procedimientos de seguridad apropiados.

Las precauciones básicas de seguridad se describen en la sección "SEGURIDAD" de este Manual de instrucciones y en las secciones que contienen las instrucciones de operación y mantenimiento.

Para evitar lesiones o el daño de la herramienta eléctrica, los riesgos están identificados con ADVERTENCIAS en dicha herramienta y en este Manual de instrucciones.

**NO** utilice **NUNCA** esta herramienta eléctrica de ninguna forma que no esté específicamente recomendada por metabo HPT.

## SIGNIFICADO DE LAS PALABRAS DE SEÑALIZACIÓN

**ADVERTENCIA** indica situaciones potencialmente peligrosas que, si se ignoran, pueden resultar en la muerte o en lesiones de gravedad.

**PRECAUCIÓN** indica situaciones potencialmente peligrosas que, de no evitarse, pueden resultar en lesiones menores o moderadas, o causar daños en la herramienta eléctrica.

**NOTA** acentúa información esencial.

# SEGURIDAD

## ADVERTENCIAS DE SEGURIDAD GENERAL DE LA HERRAMIENTA ELÉCTRICA

### ⚠ ADVERTENCIA

**Lea todas las instrucciones y todas las advertencias de seguridad.**

Si no se siguen las advertencias e instrucciones, podría producirse una descarga eléctrica, un incendio y/o daños graves.

**Guarde todas las advertencias e instrucciones para futura referencia.**

El término "herramienta eléctrica" en las advertencias hace referencia a la herramienta eléctrica que funciona con la red de suministro (con cable) o a la herramienta eléctrica que funciona con pilas (sin cable).

### 1) Seguridad en el área de trabajo

#### a) Mantenga la zona de trabajo limpia y bien iluminada.

Las zonas desordenadas o oscuras pueden provocar accidentes.

#### b) No utilice las herramientas eléctricas en entornos explosivos como, por ejemplo, en presencia de líquidos inflamables, gases o polvo.

Las herramientas eléctricas crean chispas que pueden hacer que el polvo desprenda humo.

#### c) Mantenga a los niños y transeúntes alejados cuando utilice una herramienta eléctrica.

Las distracciones pueden hacer que pierda el control.

### 2) Seguridad eléctrica

#### a) Los enchufes de las herramientas eléctricas tienen que ser adecuados a la toma de corriente.

**No modifique el enchufe.**

**No utilice enchufes adaptadores con herramientas eléctricas conectadas a tierra.**

Si no se modifican los enchufes y se utilizan tomas de corriente adecuadas se reducirá el riesgo de descarga eléctrica.

#### b) Evite el contacto corporal con superficies conectadas a tierra como tuberías, radiadores y frigoríficos.

Hay mayor riesgo de descarga eléctrica si su cuerpo está en contacto con el suelo.

#### c) No exponga las herramientas eléctricas a la lluvia o a la humedad.

La entrada de agua en una herramienta eléctrica aumentará el riesgo de descarga eléctrica.

#### d) No utilice el cable incorrectamente. No utilice el cable para transportar, tirar de la herramienta eléctrica o desenchufarla.

Mantenga el cable alejado del calor, del aceite, de bordes afilados o piezas móviles.

Los cables dañados o enredados aumentan el riesgo de descarga eléctrica.

- e) **Cuando utilice una herramienta eléctrica al aire libre, utilice un cable prolongador adecuado para utilizarse al aire libre.**  
La utilización de un cable adecuado para usarse al aire libre reduce el riesgo de descarga eléctrica.
  - f) **Si no se puede evitar el uso de una herramienta eléctrica en un lugar húmedo, utilice un suministro protegido mediante un dispositivo de corriente residual (RCD).**  
El uso de un RCD reduce el riesgo de descarga eléctrica.
- 3) **Seguridad personal**
- a) **Esté atento, preste atención a lo que hace y utilice el sentido común cuando utilice una herramienta eléctrica.**  
**No utilice una herramienta eléctrica cuando esté cansado o esté bajo la influencia de drogas, alcohol o medicación.**  
La distracción momentánea cuando utiliza herramientas eléctricas puede dar lugar a importantes daños personales.
  - b) **Utilice un equipo de protección. Utilice siempre una protección ocular.**  
El equipo de protección como máscara para el polvo, zapatos de seguridad antideslizantes, casco o protección para oídos utilizado para condiciones adecuadas reducirá los daños personales.
  - c) **Evite un inicio involuntario. Asegúrese de que el interruptor está en "off" antes de conectar la herramienta a una fuente de alimentación y/o batería, cogerla o transportarla.**  
El transporte de herramientas eléctricas con el dedo en el interruptor o el encendido de herramientas eléctricas con el interruptor encendido puede provocar accidentes.
  - d) **Retire las llaves de ajuste antes de encender la herramienta eléctrica.**  
Si se deja una llave en una pieza giratoria de la herramienta eléctrica podrían producirse daños personales.
  - e) **No se extralimite. Mantenga un equilibrio adecuado en todo momento.**  
Esto permite un mayor control de la herramienta eléctrica en situaciones inesperadas.
  - f) **Vístase adecuadamente. No lleve prendas sueltas o joyas. Mantenga el pelo, la ropa y los guantes alejados de las piezas móviles.**  
La ropa suelta, las joyas y el pelo largo pueden pillarse en las piezas móviles.
  - g) **Si se proponían dispositivos para la conexión de extracción de polvo e instalaciones de recogida, asegúrese de que están conectados y se utilizan adecuadamente.**

La utilización de un sistema de recogida de polvo puede reducir los riesgos relacionados con el polvo.

- 4) **Utilización y mantenimiento de las herramientas eléctricas**
  - a) **No fuerce la herramienta eléctrica. Utilice la herramienta eléctrica correcta para su aplicación.**  
La herramienta eléctrica correcta trabajará mejor y de forma más segura si se utiliza a la velocidad para la que fue diseñada.
  - b) **No utilice la herramienta eléctrica el interruptor no la enciende y apaga.**  
Las herramientas eléctricas que no pueden controlarse con el interruptor son peligrosas y deben repararse.
  - c) **Antes de hacer ajustes, cambiar accesorios o almacenar las herramientas eléctricas, desconecte el enchufe de la fuente eléctrica y/o las baterías de la herramienta.**  
Estas medidas de seguridad preventivas reducen el riesgo de que la herramienta eléctrica se ponga en marcha accidentalmente.
  - d) **Guarde las herramientas eléctricas que no se utilicen para que no las cojan los niños y no permita que utilicen las herramientas eléctricas personas no familiarizadas con las mismas o con estas instrucciones.**  
Las herramientas eléctricas son peligrosas si son utilizadas por usuarios sin formación.
  - e) **Mantenimiento de las herramientas eléctricas. Compruebe si las piezas móviles están mal alineadas o unidas, si hay alguna pieza rota u otra condición que pudiera afectar al funcionamiento de las herramientas eléctricas.**  
**Si la herramienta eléctrica está dañada, llévela a reparar antes de utilizarla.**  
Se producen muchos accidentes por no realizar un mantenimiento correcto de las herramientas eléctricas.
  - f) **Mantenga las herramientas de corte afiladas y limpias.**  
Las herramientas de corte correctamente mantenidas con los bordes de corte afilados son más fáciles de controlar.
  - g) **Utilice la herramienta eléctrica, los accesorios y las brocas de la herramienta, etc. de acuerdo con estas instrucciones, teniendo en cuenta las condiciones laborales y el trabajo que se va a realizar.**  
La utilización de la herramienta eléctrica para operaciones diferentes a pretendidas podría dar lugar a una situación peligrosa.
- 5) **Utilización y cuidado de las herramientas a pilas**
  - a) **Recargue sólo con el cargador especificado por el fabricante.**  
Un cargador que es apto para un tipo de paquete de pilas podría crear un riesgo de incendio cuando se utiliza con otro paquete de pilas.

- b) **Utilice herramientas eléctricas sólo con paquetes de pilas específicamente diseñados.**  
La utilización de otros paquetes de pilas podría crear riesgo de daños e incendio.
- c) **Cuando no se utilice el paquete de pilas, manténgalo alejado de otros objetos metálicos como clips, monedas, llaves, clavos, tornillos u otros objetos metálicos pequeños que puedan hacer una conexión de un terminal a otro.**  
Si se acortan los terminales de las pilas podrían producirse quemaduras o incendios.
- d) **Bajas condiciones abusivas, podría expulsarse líquido de la pila; evite todo contacto. En caso de que se produzca contacto accidentalmente, enjuague con agua. Si entra líquido en los ojos, busque ayuda médica.**  
El líquido expulsado de la pila podría causar irritación o quemaduras.
- 6) **Revisión**
- a) **Lleve su herramienta a que la revise un experto cualificado que utilice sólo piezas de repuesto idénticas.**  
Esto garantizará el mantenimiento de la seguridad de la herramienta eléctrica.

### –ADVERTENCIA–

Para disminuir el riesgo de lesiones, el usuario debe leer el manual de instrucciones.

### NORMAS Y SÍMBOLOS ESPECÍFICOS DE SEGURIDAD

- Sostenga la herramienta eléctrica por las superficies de agarre aisladas cuando realice una operación en la que el accesorio de corte pueda entrar en contacto con el cableado oculto.**  
Si el accesorio de corte entra en contacto con un cable con corriente, las partes metálicas expuestas de la herramienta eléctrica pueden transmitir esa corriente y producir una descarga eléctrica al operador.
- Fije de forma segura la pieza de trabajo que vaya a cortar.**  
Si la pieza de trabajo no está fijada de forma segura, puede cambiar de posición y causar daños en la cuchilla de la sierra de cinta y/o lesiones.
- EMPLEE siempre protectores auditivos cuando tenga que utilizar la herramienta durante mucho tiempo.**  
La exposición prolongada a ruido de gran intensidad puede causar la pérdida del sentido del oído.



- NUNCA toque la cuchilla de la sierra de cinta con las manos descubiertas después de la operación.**

- Como la sierra de cinta inalámbrica opera con la alimentación de la batería, tenga presente que puede comenzar a operar en cualquier momento.
- Cuando trabaje en lugares elevados, despeje el área de otras personas y tenga en cuenta las condiciones que haya debajo de usted.
- NUNCA toque las partes rotatorias.**



**NUNCA** coloque las manos, los dedos u otras partes del cuerpo cerca de las partes rotatorias de la herramienta.

- NO utilice NUNCA la herramienta sin los protectores colocados en su lugar.**  
**NO** utilice **NUNCA** esta herramienta sin los protectores de seguridad correctamente instalados. Si el trabajo de mantenimiento o de reparación requiere el desmontaje de un protector de seguridad, cerciórese de volver a instalarlo antes de utilizar la herramienta.
- Utilice la herramienta correcta.**  
No fuerce herramientas ni accesorios pequeños para realizar un trabajo pesado.  
No utilice la herramienta para un propósito no previsto. Por ejemplo, no utilice la sierra de cinta para cortar ramas o troncos de árboles.
- NO utilice NUNCA una herramienta eléctrica para aplicaciones que no sean las especificadas.**  
**NO** utilice **NUNCA** una herramienta eléctrica para aplicaciones no especificadas en este manual de instrucciones.
- Maneje correctamente la herramienta.**  
Maneje la herramienta de acuerdo con las instrucciones ofrecidas aquí. No deje caer ni tire la herramienta. **NO** permita **NUNCA** que los niños ni otras personas no autorizadas ni familiarizadas con la operación de la herramienta utilicen ésta.
- Mantenga todos los tornillos, pernos, y cubiertas firmemente fijados en su lugar.**  
Mantenga todos los tornillos, pernos, y cubiertas firmemente montados. Compruebe periódicamente su condición.
- No utilice herramientas eléctricas si la carcasa o la empuñadura de plástico está rajada.**  
Las rajas en la carcasa o en la empuñadura de plástico pueden conducir a descargas eléctricas. Tales herramientas no deberán utilizarse mientras no se hayan reparado.
- La cuchilla y los accesorios de la sierra de cinta deben estar montados de manera segura en la herramienta.**  
Prevenga lesiones potenciales a usted mismo o a otras personas. La cuchilla y los accesorios de la sierra de cinta que hayan sido montados en la herramienta deben estar seguros y firmes.
- Mantenga limpio el conducto de ventilación del motor.**

El conducto de ventilación del motor limpio para que el aire pueda circular libremente en todo momento. Compruebe frecuentemente y limpie el polvo acumulado.

**16. NO utilice NUNCA una herramienta defectuosa o que funcione anormalmente.**

Si la herramienta parece que funciona anormalmente, produciendo ruidos extraños, etc., deje inmediatamente de utilizarla y solicite su arreglo a un centro de reparaciones autorizado por metabo HPT.

**17. NO deje NUNCA la herramienta en funcionamiento desatendida. Desconecte su alimentación.**

No deje sola la herramientas hasta mientras no se haya parado completamente.

**18. Maneje con cuidado las herramientas eléctricas.**

Si una herramienta eléctrica se ha caído o ha chocado inadvertidamente contra materiales duros, es posible que se haya deformado, rajado, o dañado.

**19. No limpie las partes de plástico con disolvente.**

Los disolventes, como gasolina, diluidor de pintura, bencina, tetracloruro de carbono, y alcohol pueden dañar o rajar las partes de plástico. No las limpie con tales disolventes.

Limpie las partes de plástico con un paño suave ligeramente humedecido en agua jabonosa y después séquelas bien.

**20. SIEMPRE utilice protección para los ojos que satisfaga los requisitos de la última versión de la norma Z87.1 de ANSI.**



**21. SIEMPRE utilice una mascarilla para protegerse contra el polvo o las partículas potencialmente dañinos generados durante la operación de la amoladora.**

**22. SIEMPRE sujete firmemente la empuñadura cuando durante la operación.**

**23. Tenga cuidado SIEMPRE con los objetos que puedan estar enterrados o emparedados, tales como cables eléctricos.**

Si tocase un cable activo con esta herramienta, podría recibir una descarga eléctrica.

Confirme que no haya ningún objeto enterrado o emparedado, como cables eléctricos, en el suelo, el techo, o en las paredes en los que vaya a trabajar.

**24. Definiciones para los símbolos utilizados en esta herramienta**

V ..... voltios

≡ ..... corriente continua

SFPM ..... Patas de superficie

no ..... velocidad sin carga

I ..... Encendido

O ..... Apagado

⊙ ..... Apretar la cuchilla de la sierra de cinta

⊙ ..... Aflojar la cuchilla de la sierra de cinta  
 ⊙ → ..... Dirección de rotación de cuchilla de la sierra de cinta

**ADVERTENCIAS ADICIONALES DE SEGURIDAD**

1. Siempre agarre la herramienta firmemente con las dos manos por el asidero y el asidero lateral (Fig. 1). No toque la parte metálica.

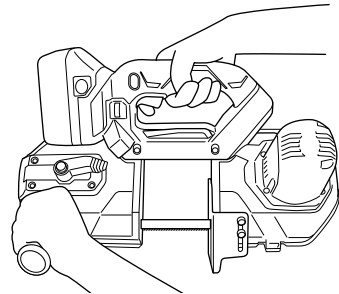


Fig. 1

2. Asegúrese de que la zona en la que vaya a realizarse el corte esté completamente libre de obstrucciones ocultas, incluido cableado eléctrico, tuberías de agua o tuberías de gas. El corte de los elementos anteriormente indicados podría provocar una descarga eléctrica o un cortocircuito, fugas de gas y otros peligros que podrían provocar accidentes o lesiones graves.
3. Asegúrese de sostener la herramienta de forma segura durante su funcionamiento. Si no lo hace, se pueden producir accidentes o lesiones personales.
4. Preparación y comprobación del entorno de trabajo. Compruebe si el entorno de trabajo resulta idóneo siguiendo las indicaciones de precaución.
5. Las partículas de polvo tales como de sílice o amianto pueden resultar nocivas para su salud. Al trabajar con materiales que contengan estos componentes, tome las medidas adecuadas contra el polvo.
6. Trabajar con metal puede producir chispas. Asegúrese de que no haya materiales inflamables ni combustibles en la cercanía y de que estén almacenados en un lugar seguro.
7. Antes del uso, asegúrese de que la cubierta de la patea de la cuchilla esté cerrada y fijada con tornillos. Usar la herramienta con la cubierta de la patea de la cuchilla abierta podría causar lesiones.
8. Durante el uso, no coloque sus manos, rostro ni ninguna otra parte del cuerpo cerca de la cuchilla giratoria de la sierra de cinta o de cualquier otra pieza móvil. Hacerlo podría resultar en lesiones.

9. Si la unidad principal se cae accidentalmente o si sufre un impacto, inspeccione con cuidado la cuchilla de la sierra de cinta, la unidad, etc., para asegurarse de que no esté dañada ni presente grietas o deformaciones.  
Si existen daños, grietas o deformaciones, podría sufrir lesiones.
10. Durante el uso, si la unidad no funciona correctamente o si produce sonidos o vibraciones anómalos, desactive inmediatamente la unidad, cese el uso y comuníquese con un centro de servicio autorizado de metabo HPT para que la inspeccionen y/o reparen.  
Continuar utilizándola en estas condiciones puede causar lesiones.
11. Cuando utilice continuamente la unidad, es posible que se recaliente y que se dañen el motor y el interruptor.  
Déjela sin usar durante aproximadamente 15 minutos.
12. Siga las indicaciones del manual de instrucciones y asegúrese de que la cuchilla de la sierra de cinta y los accesorios estén correctamente instalados.  
Una instalación incorrecta podría causar lesiones provocadas por las piezas sueltas.
13. Fije con seguridad la pieza de trabajo a cortar.  
Si no fija con seguridad la pieza de trabajo, esta podría cambiar de posición y causar daños en la cuchilla de la sierra de cinta y/o lesiones.
14. Para evitar que la cuchilla de la sierra de cinta quede atrapada entre las superficies de corte durante o inmediatamente después del corte, instale un soporte que sea capaz de soportar el peso de la pieza de trabajo y colóquelo cerca de la sección a cortar.  
Si la cuchilla de la sierra de cinta queda atrapada, podría causar lesiones.
15. Si la sección a cortar es grande, instale otro soporte estable capaz de soportar el peso de dicha sección.  
Si no utiliza dicho soporte podría sufrir lesiones.
16. Durante el uso, no lleve puestos guantes de trabajo de tela ni protección para manos similar que pueda quedar atrapada en la unidad.  
Quedar atrapado en la sección de giro de la herramienta podría causar lesiones.
17. Antes del uso, verifique la seguridad de la zona circundante y haga girar la cuchilla brevemente para asegurarse de que no existan anomalías en las vibraciones de la unidad ni en la cuchilla de la sierra de cinta.  
Si existe alguna anomalía, podrían producirse movimientos inesperados y sufrirse lesiones.
18. Al trabajar en lugares altos, asegúrese de que no haya nadie debajo.  
Si la pieza de trabajo o la herramienta a batería se caen desde un lugar alto, podrían causar un accidente.
19. No aplique impactos repentinos sobre la pieza de trabajo usando la cuchilla de la sierra de cinta.  
Hacerlo podría dañar la cuchilla de la sierra de cinta y/o causar lesiones.
20. Use el propio peso del producto o presione ligeramente para cortar una pieza de trabajo.  
Aplicar fuerzas innecesarias durante el corte puede ocasionar el desprendimiento o daño de la cuchilla de la sierra de cinta, lo cual podría causar lesiones.
21. No toque la cuchilla de la sierra de cinta, la pieza de trabajo ni las virutas con las manos descubiertas inmediatamente después del corte; estarán calientes.  
Hacerlo podría causar quemaduras.
22. Retire cualquier viruta adherida a la cuchilla de la sierra de cinta o a las gomas de la polea de la cinta así como cualquier viruta que se haya acumulado en el interior del bastidor.  
Las virutas podrían causar que la cuchilla de la sierra de cinta se desprenda o mueva, provocando lesiones.
23. Asegúrese de que la cubierta de la polea de la cuchilla esté correctamente instalada antes del uso.  
Si la cuchilla de la sierra de cinta sufre daños o se suelta, podría causar lesiones.
24. Verifique que la cubierta de la polea de la cuchilla y la cuchilla de la sierra de cinta no entran en contacto.
25. Si existe alguna anomalía en la cubierta de la polea de la cuchilla y el bloqueo del interruptor no regresa a su posición original, cese el uso inmediatamente y comuníquese con un centro de servicio autorizado de metabo HPT para que lleven a cabo las reparaciones.
26. Usar una cuchilla de sierra de cinta distinta a la autorizada por el fabricante, o una cuchilla de sierra de cinta dañada, podría causar daños en la cuchilla de la sierra de cinta y/o lesiones.
27. Al activar la alimentación, compruebe que la cuchilla de la sierra de cinta no entra en contacto con la pieza de trabajo a cortar ni con los objetos cercanos.  
De lo contrario podría causar la caída de la unidad principal y/o lesiones.
28. Para evitar accidentes, asegúrese de desactivar la alimentación y de retirar la batería de la herramienta a batería cada vez que tome un descanso o después del uso.
29. Si la cuchilla de la sierra de cinta se bloquea durante el corte, desactive inmediatamente la alimentación y deténgala.  
De lo contrario podría causar daños en la cuchilla de la sierra de cinta.
30. Si la herramienta se sobrecarga, el motor podría detenerse. En caso de producirse esta situación, suelte el interruptor de la herramienta y elimine la causa de la sobrecarga.
31. No deje la herramienta en marcha desatendida en el suelo, mesa ni en otros lugares. Hacerlo podría resultar en lesiones.
32. Para la eficiencia del corte, cambie el modo de la herramienta de aplicación de acuerdo con las condiciones de la tarea y las piezas de trabajo que vayan a ser cortadas.

33. Después del uso, asegúrese de no colocar la herramienta cerca de virutas o serrín antes de que se detenga por completo, ya que la herramienta podría succionar esas partículas.
34. Después del uso, si no va a utilizar la unidad durante un largo período de tiempo, retire la cuchilla de la sierra de cinta del cuerpo de la unidad y guarde la cuchilla de la sierra de cinta.  
Si deja desinstalada la cuchilla de sierra de cinta en la unidad del cuerpo durante largos períodos, la vida útil de la cuchilla de la sierra de cinta disminuirá.
3. Para reducir el riesgo de lesión, cargue el tipo de batería recargable de metabo HPT de las series BSL18 y BSL14. Otros tipos de baterías podrían explotar causando lesiones y daños.
4. La utilización de un accesorio no recomendado o vendido por el fabricante del cargador de baterías puede resultar en el riesgo de incendios, en descargas eléctricas, o en lesiones.
5. Para reducir el riesgo de dañar el cable y el enchufe, para desconectar el cable del cargador de baterías, tire del enchufe.
6. Cerciórese de que el cable quede situado donde no pueda pisarse, donde nadie pueda tropezar con él, y donde no pueda recibir daños.
7. A menos que sea absolutamente necesario, no deberá utilizarse un cable prolongador. La utilización de un cable prolongador inadecuado podría resultar en el riesgo de incendios y descargas eléctricas. Cuando tenga que utilizar un cable prolongador, cerciórese de que:
  - a. El enchufe del cable prolongador sea igual en tamaño y forma que el del cargador de baterías;
  - b. El cable prolongador esté adecuadamente conectado y en buenas condiciones eléctricas; y
  - c. Que el calibre del cable sea suficiente para el amperaje de CA del cargador de baterías, como se especifica en la Tabla 1.

## INSTRUCCIONES IMPORTANTES DE SEGURIDAD PARA EL CARGADOR DE BATERÍAS

### ⚠ ADVERTENCIA

**La utilización inadecuada del cargador de baterías puede resultar en lesiones serias o en la muerte. Para evitar estos riesgos, siga las instrucciones de seguridad ofrecidas a continuación.**

Este producto no incluye la batería y el cargador de baterías.

### LEA TODAS LAS INSTRUCCIONES

1. Este manual contiene instrucciones importantes de seguridad para el cargador de baterías modelo UC18YFSL.
2. Antes de utilizar el cargador de baterías, lea todas las instrucciones y tenga en cuenta las marcas de precaución de (1) el cargador de baterías, (2) la batería, y (3) el producto que utiliza la batería.

Tabla 1  
CALIBRE (AWG) MÍNIMO RECOMENDADO PARA CABLES PROLONGADORES PARA EL CARGADOR DE BATERÍAS

Amperaje nominal de entrada de CA*		Calibre (AWG) del cable			
Igual o superior a	pero inferior a	Longitud del cable, pies (metros)			
		25 (7.5)	50 (15)	100 (30)	150 (45)
0	2	18	18	18	16
2	3	18	18	16	14
3	4	18	18	16	14

- \* Si la entrada nominal del cargador de baterías se indica en vatios en vez de amperios, el amperaje nominal correspondiente se determinará dividiendo el vataje por la tensión, por ejemplo:
- $$\frac{1,250 \text{ vatios}}{125 \text{ voltios}} = 10 \text{ amperios}$$
8. No utilice el cargador de baterías con un cable o un enchufe dañado. Si están dañados, reemplácelos inmediatamente.
  9. No utilice el cargador de baterías si ha recibido un golpe, si ha caído, o si está dañado de alguna otra forma. Llévelo a un técnico cualificado.
  10. No desarme el cargador de baterías. Cuando necesite reparación, llévelo a un técnico cualificado. El reensamblaje incorrecto podría resultar en el riesgo de incendios o descargas eléctricas.
  11. Para reducir el riesgo de descargas eléctricas, desenchufe el cargador del tomacorriente antes de intentar realizar cualquier operación de mantenimiento o de limpiarlo. La extracción de la batería no reducirá este riesgo.



## INSTRUCCIONES IMPORTANTES DE SEGURIDAD PARA LA BATERÍA Y EL CARGADOR DE BATERÍAS

Usted deberá cargar la batería antes de utilizar el atornilladores de percusión inalámbrico. Antes de utilizar el cargador de baterías modelo UC18YFSL, cerciórese de leer todas las instrucciones y precauciones del mismo, de la batería, y de este manual.

**⚠ PRECAUCIÓN**  
**¡UTILICE SOLAMENTE BATERÍA metabo HPT DEL TIPO DE LA SERIE BSL1850. LOS DEMÁS TIPOS DE BATERÍAS PODRÍAN EXPLOTAR Y CAUSAR LESIONES!**

Para evitar el riesgo de lesiones, siga las instrucciones ofrecidas a continuación:

**⚠ ADVERTENCIA**  
**La utilización inadecuada de la batería o del cargador de baterías puede conducir a lesiones serias. Para evitar estas lesiones:**

1. **NUNCA** desarme la batería.
2. **NUNCA** incinere una batería, aunque esté dañada o completamente agotada.
3. **NUNCA** cortocircuite la batería.
4. **NUNCA** inserte ningún objeto en las ranuras de ventilación del cargador. Si lo hiciese podría recibir descargas eléctricas o dañar el cargador de baterías.
5. **NUNCA** cargue en exteriores. Mantenga la batería alejada de la luz solar directa, y utilícela solamente donde haya poca humedad y una buena ventilación.
6. **NUNCA** cargue cuando la temperatura sea inferior a 32°F (0°C) o superior a 104°F (40°C). Si se carga la batería a temperaturas fuera del rango de 32°F – 104°F (0°C – 40°C) tal vez la carga no se realice correctamente y se reduzca al vida de la batería.
7. **NUNCA** conecte dos cargadores de baterías juntos.
8. **NUNCA** inserte objetos extraños en el orificio para la batería ni en el cargador de baterías.
9. **NUNCA** utilice un transformador elevador para cargar.
10. **NUNCA** utilice un motogenerador ni tensión de CC para cargar.
11. **NUNCA** almacene la batería ni el cargador de la batería en lugares en los que la temperatura pueda llegar a los 104 °F (40 °C) o superar dicha temperatura, como dentro de una caja metálica o un auto.
12. **NUNCA** esponga la batería ni el cargador de la batería a condiciones de lluvia a humedad.
13. **SIEMPRE** utilice el cargador con un tomacorriente (120 voltios). La utilización de un cargador con cualquier otra tensión podría hacer que éste se recalentase y dañase.

14. **SIEMPRE** espere 15 minutos por lo menos entre las cargas para evitar que el cargador se recaliente.
15. **SIEMPRE** desconecte el cable de alimentación del tomacorriente cuando no vaya a utilizar el cargador.

## ADVERTENCIA DE LA BATERÍA DE LITIO

Para ampliar su duración, la batería de litio está equipada con la función de protección para detener la salida. En los casos 1 a 3 descritos más abajo, cuando utilice este producto, incluso si tira del interruptor, el motor puede detenerse. No es un problema, sino el resultado de la función de protección.

1. Cuando la batería restante se agota, el motor se detiene.  
 En este caso, cárguela inmediatamente.
2. Si la herramienta se sobrecarga, el motor puede detenerse. En este caso, suelte el interruptor de la herramienta y elimine las causas de la sobrecarga. A continuación, puede volverla a utilizar.
3. Si la batería se calienta excesivamente al realizar un trabajo de sobrecarga, la potencia de la batería podría pararse.  
 En este caso, deje de utilizar la batería y deje que se enfríe. Posteriormente puede utilizarla de nuevo.

Asimismo, preste atención a las siguientes advertencias y precauciones.

## ⚠ ADVERTENCIA

Para evitar fugas de la batería, generación de calor, emisión de humo, explosiones e igniciones, preste atención a las siguientes precauciones.

1. Asegúrese de que no entran virutas o polvo en la batería.
  - Durante el trabajo, asegúrese de que no caen virutas o polvo en la batería.
  - Asegúrese de que las virutas o el polvo que caen sobre la herramienta eléctrica durante el trabajo no entran en la batería.
  - No almacene una batería sin utilizar en un lugar expuesto a virutas y polvo.
  - Antes de almacenar una batería, retire las virutas y el polvo que se haya adherido y no la almacene junto a piezas metálicas (tornillos, clavos, etc.).
2. No agujeree la batería con un objeto afilado como un clavo, no la golpee con un martillo, la pise, la tire o la esponga a fuertes impactos físicos.
3. No utilice una batería que pudiera estar dañada o deformada.
4. No utilice la batería con las polaridades cambiadas.
5. No conecte la batería directamente a salidas eléctricas o a los encendedores de cigarrillos de los coches.
6. No utilice la batería para un fin diferente a los especificados.
7. Si la carga de la batería no finaliza incluso cuando ha transcurrido un determinado tiempo de recarga, detenga inmediatamente la recarga.

8. No coloque o exponga la batería a temperaturas elevadas o alta presión como en un microondas, una secadora o un contenedor de gran presión.
9. Aléjela del fuego inmediatamente cuando se detecte una fuga o un olor raro.
10. No la utilice en un lugar donde se genere gran electricidad estática.
11. Si hay una fuga de la batería, mal olor, se genera color, está descolorida o deformada, o de algún modo funciona de forma anormal durante su utilización, recarga o almacenamiento, retírela inmediatamente del equipo o del cargador de la batería y detenga su utilización.
12. No sumerja la batería ni permita que fluidos entren en ella. La entrada de líquidos conductores, como el agua, puede provocar daños que resulten en incendios o explosiones. Guarde la batería en un lugar fresco y seco, alejado de los materiales combustibles e inflamables. Las atmósferas con gases corrosivos deben ser evitadas.

**⚠ PRECAUCIÓN**

1. Si el líquido de fuga de la batería entra en contacto con los ojos, no se los frote y lávelos bien con agua limpia como, por ejemplo, agua del grifo y póngase en contacto con un médico inmediatamente. Si no se trata, el líquido podría causar problemas de visión.
2. Si el líquido de fuga entra en contacto con la piel o la ropa, lávela bien con agua limpia como, por ejemplo, agua del grifo inmediatamente. Podría producir irritación de la piel.
3. Si observa óxido, mal olor, recalentamiento, decoloración, deformación y/u otras irregularidades al utilizar la batería por primera vez, no la utilice y devuélvasela a su proveedor o distribuidor.

**⚠ ADVERTENCIA**

Si un objeto extraño conductor de electricidad entra en los terminales de la batería de litio, podría producirse un cortacircuito, resultando en un riesgo de incendio. Por favor, respete los siguientes consejos cuando almacene la batería.

- No coloque cortes conductivos, clavos, cables de acero, cables de cobre u otros cables en la caja de almacenamiento.
- Instale el paquete de baterías en la herramienta eléctrica o almacénelo presionando la tapa de baterías hasta que se oculten los orificios de ventilación para evitar cortacircuitos. (Ver Fig. 1)

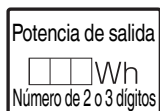
**A PROPÓSITO DEL TRANSPORTE DE LA BATERÍA DE IONES DE LITIO**

Al transportar una batería de iones de litio, tenga en cuenta las siguientes precauciones.

**⚠ ADVERTENCIA**

Notifique a la compañía de transporte que un paquete contiene una batería de iones de litio, informe a la compañía eléctrica de su potencia de salida y siga las instrucciones de la compañía de transporte al preparar su transporte.

- Las baterías de iones de litio que superen una potencia de salida de 100 Wh se considera que son materiales peligrosos en la Clasificación de Transporte y requieren procedimientos de aplicación especiales.
- Para el transporte en el extranjero, deberá cumplir con las leyes internacionales y las normas y regulaciones del país de destino.



**¡GUARDE ESTAS INSTRUCCIONES  
 Y  
 PÓNGALAS A DISPOSICIÓN DE  
 OTROS USUARIOS  
 Y  
 PROPIETARIOS DE ESTA HERRAMIENTA!**

# DESCRIPCIÓN FUNCIONAL

## NOTA

La información contenida en este Manual de Instrucciones ha sido diseñada para ayudarle a utilizar con seguridad y mantener esta herramienta eléctrica.

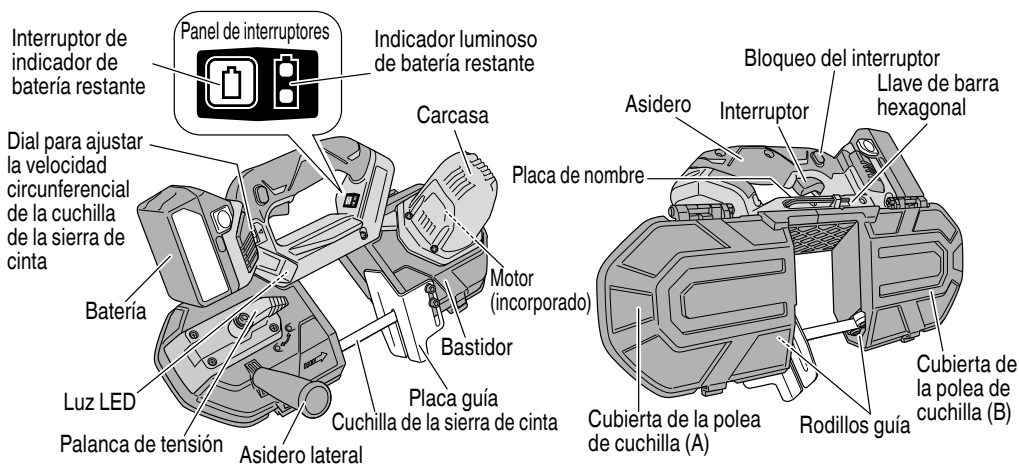
**NUNCA** haga funcionar ni efectúe el mantenimiento de la herramienta antes de leer y comprender todas las instrucciones de seguridad contenidas en este manual.

Algunas ilustraciones de este Manual de Instrucciones pueden mostrar detalles o accesorios diferentes a los de la propia herramienta eléctrica.

## NOMENCLATURA

### 1. Sierra de cinta inalámbrica (CB18DBL)

Este producto no incluye la batería y el cargador de baterías.



### ○ Batería (BSL1850)

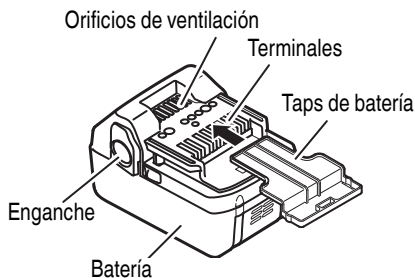


Fig. 2

- 2 Cargador de baterías (UC18YFSL)  
Este producto no incluye la batería y el cargador de baterías.

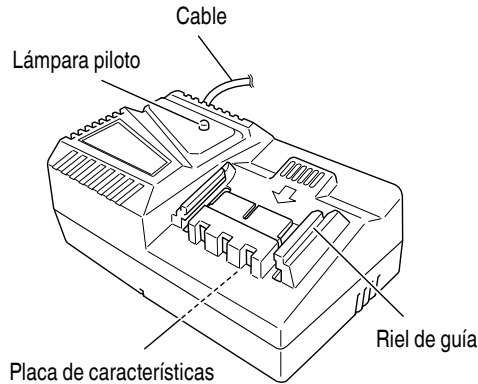


Fig. 3

**ESPECIFICACIONES**

1. Sierra de cinta inalámbrica

Modelo	CB18DBL	
Voltaje	18 V	
Tipo de motor	Motor CC sin escobillas y refrigeración por ventilador	
Dimensiones de la cuchilla de la sierra de cinta	35 - 3/8" x 1/2" x 0.020" (900 x 12.5 x 0.5 mm)	
Velocidad de la cuchilla de la sierra de cinta sin carga	Modo estándar (1 - 5)	260 - 640 SFPM (80 - 195 m/min)
	Modo automático (A)	395 SFPM (120 m/min)
Capacidad de corte máx.	Tubo redondo	3 - 1/4" (83 mm)
	Tubo cuadrado	3 - 1/8" x 3 - 1/8" (80 mm x 80 mm)
Longitud global	16 - 1/4" (413 mm)	
Peso (con BSL1850)	7.7 lb (3.5 kg)	

**NOTA**

Debido al programa continuo de investigación y desarrollo de metabo HPT, las especificaciones del presente documento están sujetas a cambios sin notificación previa.

**Control electrónico**

- Arranque suave
  - Protección de sobrecarga
- Esta función de protección corta la energía hacia el motor en caso de sobrecarga del motor o una reducción considerable de la velocidad de rotación durante la operación.

- Protección de sobrecalentamiento
- Esta función de protección corta la energía hacia el motor y detiene la herramienta eléctrica en caso de sobrecalentamiento del motor durante la operación. Cuando se active la función de protección de sobrecalentamiento el motor podría detenerse. En este caso, suelte el interruptor de la herramienta y deje que se enfríe durante unos minutos. Después podrá utilizarla de nuevo.

# MONTAJE Y OPERACIÓN

## APLICACIONES

- Corte de varios tipos de materiales de acero blando, incluyendo tubos de conductos, tubos de acero inoxidable, tubos de acero recubierto y varillas de acero.
- Corte de materiales no ferrosos, incluyendo cables eléctricos y de comunicaciones y marcos de ventana de aluminio.
- Corte de plástico (el material termoplástico no puede ser cortado, ya que la cuchilla de la sierra de cinta podría acuñarse en el material, ya que es propenso a fundirse cuando se corta mediante la fricción del corte).

## MÉTODO DE EXTRACCIÓN E INSTALACIÓN DE LA BATERÍA

Este producto no incluye la batería y el cargador de baterías.

1. Desmontaje de la batería  
Sujetar firmemente el asidero y presionar el cierre de la batería para desmontarla (Ver la Fig. 4).

**⚠ PRECAUCIÓN**  
**No cortocircuitar nunca la batería.**

2. Instalación de la batería  
Insertar la batería observando sus polaridades (ver la Fig. 4).

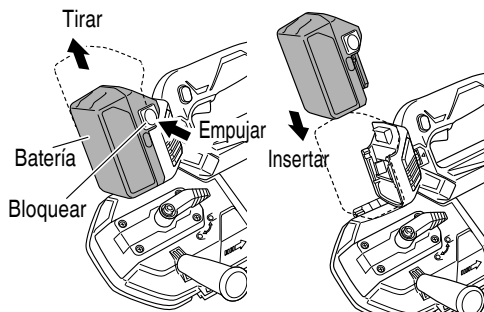


Fig. 4

## MÉTODO DE CARGA

Antes de usar la herramienta eléctrica, cargue la batería como sigue.

Este producto no incluye la batería y el cargador de baterías.

### NOTA

Antes de enchufar el cargador en un tomacorriente, tenga en cuenta los puntos siguientes:

- La tensión de la fuente de alimentación está indicada en la placa de características.
- El cable no deberá estar dañado.

### ⚠ ADVERTENCIA

**No cargue con una tensión superior a la indicada en la placa de características. Si cargase con una tensión superior a la indicada en la placa de características, el cargador se quemaría.**

1. Enchufe el cable de alimentación del cargador a un tomacorriente de CA.

Cuando haya conectado el enchufe del cargador a una toma de la red, la lámpara piloto se encendrá en rojo. (A intervalos de 1 segundo)



### ⚠ ADVERTENCIA

**No utilice el cargador si su cable está dañado. Haga que se lo reparen inmediatamente.**

2. Inserte la batería en el cargador de baterías. Introduzca la batería firmemente en el cargador como se indica en la Fig 5.

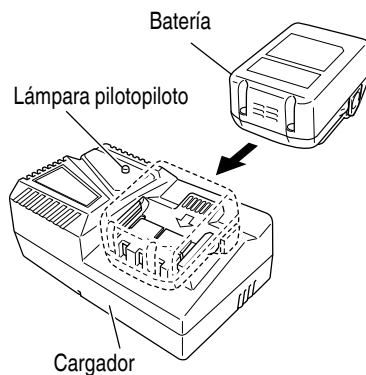


Fig. 5

**3. Carga**

Cuando inserte la batería en el cargador de baterías, se iniciará la carga, y la lámpara piloto se encenderá en rojo, (Consulte la Tabla 2.)

(1) Indicaciones de la lámpara piloto






Las indicaciones de la lámpara piloto mostradas en la Tabla 2, se producirán de acuerdo con la condición del cargador o de la batería.

**NOTA**

Si la lámpara piloto parpadea en rojo, desconecte el enchufe del tomacorriente y compruebe si la batería está correctamente insertada.

Cuando la batería se haya cargado completamente, la lámpara parpadeará lentamente en rojo. (A intervalos de 1 segundo) (Consulte la Tabla 2.)

Tabla 2

Indicaciones de la lámpara indicadora				
Lámpara piloto (rojo)	Antes de la carga	Parpadeo	Se encenderá durante 0.5 segundos. No se encenderá durante 0.5 segundos. (Apagada durante 0.5 segundos) 	/
	Durante la carga	Iluminación	Iluminación permanente 	
	Carga completa	Parpadeo	Se encenderá durante 0.5 segundos. No se encenderá durante 0.5 segundos. (Apagada durante 0.5 segundos) 	
	Espera por recalentamiento	Parpadeo	Se encenderá durante 1 segundo. No se encenderá durante 0.5 segundos. (Apagada durante 0.5 segundos) 	Batería recalentada. No puede cargarse (la carga comenzará cuando la batería se enfríe)
	Carga Imposible	Destello	Se encenderá durante 0.1 segundos. No se encenderá durante 0.1 segundos. (Apagada durante 0.1 segundos) 	Mal funcionamiento de la batería o del cargador

(2) Temperatura de la batería.

La temperatura de la batería recargable se muestra en la Tabla 3 y, si la batería se ha calentado, habrá que dejar que se enfríe durante cierto tiempo antes de recargarla.

Tabla 3 Márgenes de carga de las baterías

Batería recargable recharg	Temperatura a la que podrá recargarse la batería
BSL1850	32°F – 104°F (0°C – 40°C)

(3) Tiempo de carga (A 68°F (20°C))

Tabla 4 Tiempo de carga (a 20°C)

Batería \ Cargador	UC18YFSL
BSL1850	Aprox. 75 min.

**NOTA**

El tiempo de recarga puede variar de acuerdo con la temperatura ambiental y la tensión de la fuente de alimentación.

4. Desconecte el cargador de baterías del tomacorriente.

**⚠ PRECAUCIÓN**  
No desconecte el cable del tomacorriente tirando del mismo.  
Cerciórese de tirar del enchufe para desconectarlo del tomacorriente a fin de evitar dañar el cable.

5. Extraiga la batería del cargador de baterías. Sujutando el cargador de baterías con una mano, extraiga la batería del mismo.

**NOTA**

Después de la operación, extraiga en primer lugar las baterías del cargador, y después guárdelas adecuadamente.

### ⚠ PRECAUCIÓN

- Si utiliza continuamente el cargador de baterías, éste se calentará, lo que puede causar averías. Después de haber finalizado la carga, espere 15 minutos antes de realizar la carga siguiente.
- Si carga la batería mientras esté caliente por haber estado mucho tiempo en un lugar sometido a la luz solar directa, o por haber acabado de utilizarla, la lámpara de piloto del cargador parpadea durante 1 segundo y no se enciende durante 0.5 segundos (apagada durante 0.5 segundos). En tales casos, deje primero que se enfríe la batería e inicie luego la carga.
- Cuando la lámpara piloto parpadee rápidamente en rojo (a intervalos de 0.2 segundos), compruebe y elimine los objetos extraños que haya en el conector de batería del cargador. Si no hay objetos extraños, es probable que la batería o que el cargador de baterías esté funcionando mal. Llévelos a un centro de reparaciones autorizado.
- Como el microordenador incorporado tarda unos 3 segundos en confirmar que la batería que se está cargando con el cargador se ha retirado, espere como mínimo 3 segundos antes de volver a introducirla para continuar con la carga. Si la batería vuelve a introducirse antes de que transcurran 3 segundos, puede que no se cargue correctamente.
- Si la lámpara piloto no parpadea en rojo (cada segundo) ni siquiera cuando el cable de conexión está conectado a la alimentación, indica que el circuito de protección del cargador podría haberse activado. Desconecte el cable o el enchufe de la alimentación y, a continuación, vuelva a conectarlo transcurridos unos 30 segundos. Si tras esto la lámpara piloto no parpadea en rojo (cada segundo), lleve el cargador al Centro de servicio técnico autorizado de metabo HPT.

### ANTES DE LA OPERACIÓN

1. Preparación y comprobación de las condiciones ambientales de trabajo  
Asegúrese de que el sitio de trabajo cumpla todas las condiciones indicadas en las precauciones.
2. Instalación del asidero lateral  
Asegúrese de instalar el asidero lateral y utilizar ambas manos durante la operación. De lo contrario, podrían producirse lesiones. (Refiérase a la Fig. 6)

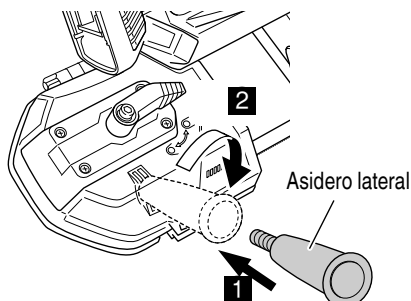


Fig. 6

3. Verificación de la batería  
Asegúrese de que la batería esté instalada con firmeza. Si está suelta, podría desprenderse y causar un accidente.
4. Almacenamiento de la llave de barra hexagonal  
La llave de barra hexagonal incluida puede ser almacenada en la unidad principal. Guarde la herramienta para evitar perderla. (Refiérase a la Fig. 7)

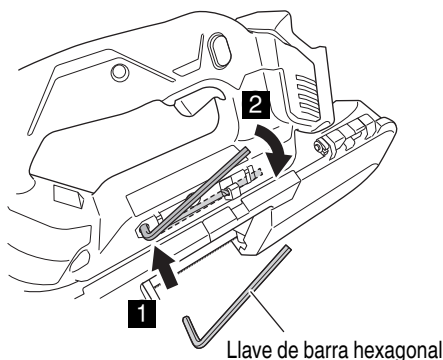


Fig. 7

5. Ajuste del saliente de la placa de guía

### ⚠ PRECAUCIÓN

- Asegúrese de apagar la herramienta y de desconectar la batería del cuerpo al ajustar el saliente de la placa de guía.

En la operación ordinaria, coloque el saliente de la placa guía en el lado A por completo. Afloje los dos pernos de hueco hexagonal con la llave de barra hexagonal incluida, luego deslice la placa guía y fíjela apretando con firmeza los dos pernos de hueco hexagonal. Cuando la placa guía se encuentre con obstáculos como paredes o similares al final de un corte, deslicela hasta la posición apropiada. (Refiérase a la Fig. 8)

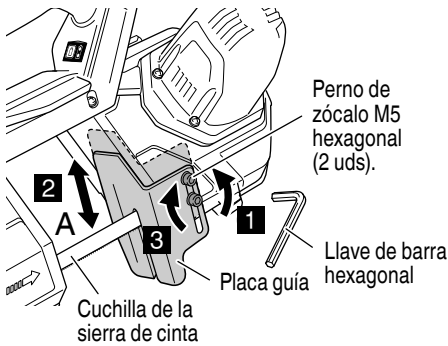


Fig. 8

6. Operación del interruptor (Fig. 9)  
 Mover el interruptor mientras oprime el bloqueo del interruptor a una de las direcciones indicadas por la flecha hará que la cuchilla de la sierra de cinta rote al tiempo que ilumina la luz LED.  
 Luego de activar y mantener desplazado el interruptor, la cuchilla de la sierra de cinta continuará rotando incluso si el bloqueo del interruptor es liberado. Además, la luz LED permanecerá iluminada. Cuando suelte el interruptor, la rotación de la cuchilla de la sierra de cinta se detendrá y la luz LED se apagará automáticamente en 15 segundos.

**PRECAUCIÓN**  
 No mire directamente a la luz de la lámpara LED. La exposición continua y directa a la luz de la lámpara LED puede dañar su vista.

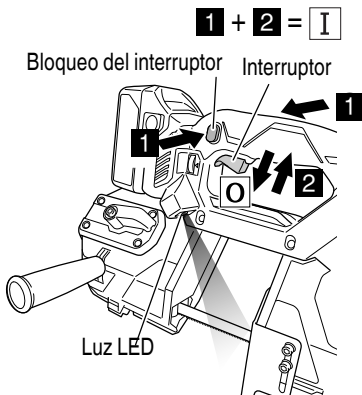


Fig. 9

- NOTA**
- Utilizando un paño suave, retire las materias extrañas que se hayan adherido a la lente de la luz LED, tomando la precaución de no arañar la lente. Los arañazos de la luz LED podrían reducir el brillo de la luz.
  - Al limpiar la lente de la luz LED, no utilice gasolina, disolvente de pinturas, etc.

Hacerlo dañará la lente.

7. Acerca del indicador de batería restante  
 Al pulsar el interruptor del indicador de batería restante, se ilumina el indicador luminoso de batería restante y puede comprobarse la potencia restante. (Fig. 10) Al retirar el dedo de dicho interruptor, el indicador luminoso de batería restante se apaga. La Tabla 5 muestra el estado del indicador luminoso de batería restante y la potencia de batería restante.

Tabla 5

Estado del indicador	Potencia de batería restante
	La potencia restante de la batería es suficiente.
	La potencia restante de la batería se encuentra a la mitad.
	La potencia restante de la batería está prácticamente agotada. Recargue la batería cuanto antes.

Dado que el indicador de batería restante muestra resultados ligeramente diferentes según la temperatura ambiental y las características de la batería, utilice su lectura como referencia.

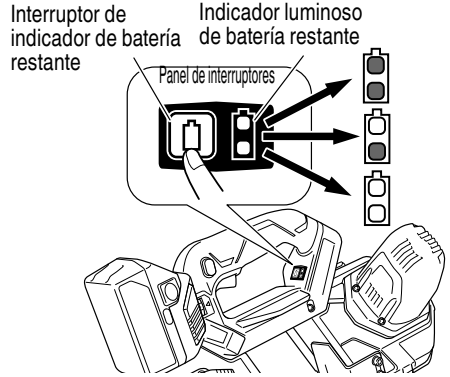


Fig. 10

**NOTA**

- No golpee con fuerza ni rompa el panel de interruptores. Pueden producirse problemas.
- Para reducir el consumo de la potencia de batería, el indicador luminoso de batería restante se ilumina mientras se mantiene presionado el interruptor del indicador de batería restante.
- A menos que la energía se conecte luego de instalar la batería en la unidad, la lámpara del indicador de batería restante no se iluminará cuando se oprima el interruptor del indicador de batería restante.



## 8. Ajuste de la velocidad de operación (Fig. 11)

**⚠ PRECAUCIÓN**

Utilice el dial de ajuste de velocidad circunferencial de la cuchilla de la sierra de cinta para seleccionar la velocidad circunferencial más idónea para la pieza de trabajo.

Utilizar una velocidad circunferencial de la cuchilla de sierra de cinta no apta para cortar una pieza de trabajo no solo afectará en forma negativa a la precisión de corte, sino que podría causar también daños en la cuchilla de la sierra de cinta.

Esta unidad está equipada con un circuito de control electrónico que permite que la velocidad circunferencial de la cuchilla de la sierra de cinta sea ajustada libremente.

Antes del uso, utilice el dial de ajuste de velocidad circunferencial de la cuchilla de la sierra de cinta para ajustarlo a un modo que se adapte a las propiedades, grosor y condiciones de trabajo de la pieza a cortar.

○ En el Modo estándar, la velocidad circunferencial de la cuchilla de la sierra de cinta puede ajustarse libremente de 1 a 5 con el dial.

En el dial, 1 indica la velocidad mínima y 5 la velocidad máxima.

En el Modo estándar, la velocidad circunferencial ajustada con el dial se mantiene incluso al cambiar la carga.

○ Con el Modo automático ("A" en el dial), podrá disminuir el ruido y aumentar la duración del uso reduciendo la velocidad circunferencial cuando no haya carga.

En el Modo automático, si se aplica una carga durante el uso, la velocidad circunferencial aumenta automáticamente.

(Equivalente a 5 en el dial)

Además, si la carga disminuye después de finalizar el corte, la velocidad circunferencial disminuye automáticamente, reduciendo el consumo de alimentación cuando no haya carga.

Dial para ajustar la velocidad circunferencial de la cuchilla de la sierra de cinta

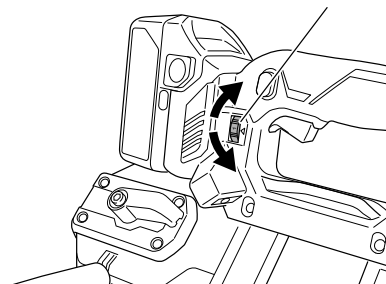


Tabla 6 Velocidad de operación

Modo	Dial	Velocidad circunferencial de la cuchilla de sierra de cinta (lineamiento)	Usos
Modo estándar	1 ↑ Velocidad baja	260 SFPM (80 m/min)	↑ Materiales difíciles de cortar, como acero inoxidable y aleaciones Materiales de acero (Materiales gruesos, incluyendo varillas cilíndricas, vigas de doble T y tubos de acero) (Grosor de 0.14" (3.5 mm) o mayor) Materiales de acero (Materiales finos, incluyendo tubo de acero) (Grosor de menos de 0.14" (3.5 mm)) ↓
	2	358 SFPM (109 m/min)	
	3	453 SFPM (138 m/min)	
	4	545 SFPM (166 m/min)	
	5 ↓ Velocidad alta	640SFPM (195 m/min)	
Modo AUTO*	A	395 SFPM (120 m/min) (Sin carga)	Operación de inactividad
		640SFPM (195 m/min) (Con carga)	Operación de corte

\* Las velocidades circunferenciales pueden diferir de las indicadas arriba dependiendo de las condiciones de operación.

9. Selección de la cuchilla de la sierra de cinta

**⚠ PRECAUCIÓN**

- **Utilice una cuchilla de sierra de cinta apropiada para la pieza de trabajo.**  
Utilizar una cuchilla de sierra de cinta no apta para cortar una pieza de trabajo no solo afectará en forma negativa a la precisión de corte, sino que podría causar también daños en la cuchilla de la sierra de cinta.
- **Cuando seleccione el número de dientes de una cuchilla de sierra de cinta, su opción estándar debe ser una cuchilla que exceda el grosor de la pieza de trabajo en dos o más dientes.**

Seleccione una cuchilla de sierra de cinta basada en el grosor de la pieza de trabajo que va a ser cortada utilizando la Tabla 7 como lineamiento.

Tabla 7 Diagrama de selección de cuchilla de sierra de cinta (utilice la cuchilla de sierra de cinta indicada con el símbolo ✓)

Grosor (pulgada)	Cuchilla de la sierra de cinta	
	Material: aleación bimetálica	
	18 (dientes/pulgada)	14 (dientes/pulgada)
Menos de 1/8	✓	
1/8 – 1/4	✓	✓
Más de 1/4		✓

10. Reemplazo de la cuchilla de la sierra de cinta

**⚠ ADVERTENCIA**

- **Al reemplazar la cuchilla de sierra de cinta, asegúrese de desconectar la alimentación y remover la batería de la herramienta inalámbrica.**
- **Tenga cuidado al cambiar o inspeccionar la cuchilla de la sierra de cinta, ya que puede saltar a veces.**

**⚠ PRECAUCIÓN**

- **Utilice guantes cuando cambie la cuchilla de la sierra de cinta.**
- **La cuchilla de la sierra de cinta está caliente inmediatamente luego de su operación. Remuévala solo después de que se haya enfriado.**

**Cómo remover (Fig. 12)**

Afloje la palanca de tensión en la dirección indicada en la figura.

Abra la cubierta oprimiendo las pestañas de cubierta de la polea de la cuchilla (A) y (B).

Como se muestra en la figura de la derecha, inserte un destornillador entre el lado de la cuchilla de la sierra de cinta y el bastidor.

A medida que oprime el destornillador contra el lado de la cuchilla de la sierra de cinta, incline el destornillador hacia la dirección de rotación de la cuchilla de la sierra de cinta. Al rotar lentamente la cuchilla de la sierra de cinta, la cuchilla se aflojará de la polea de la cuchilla (A). Remueva la cuchilla de la sierra de cinta.

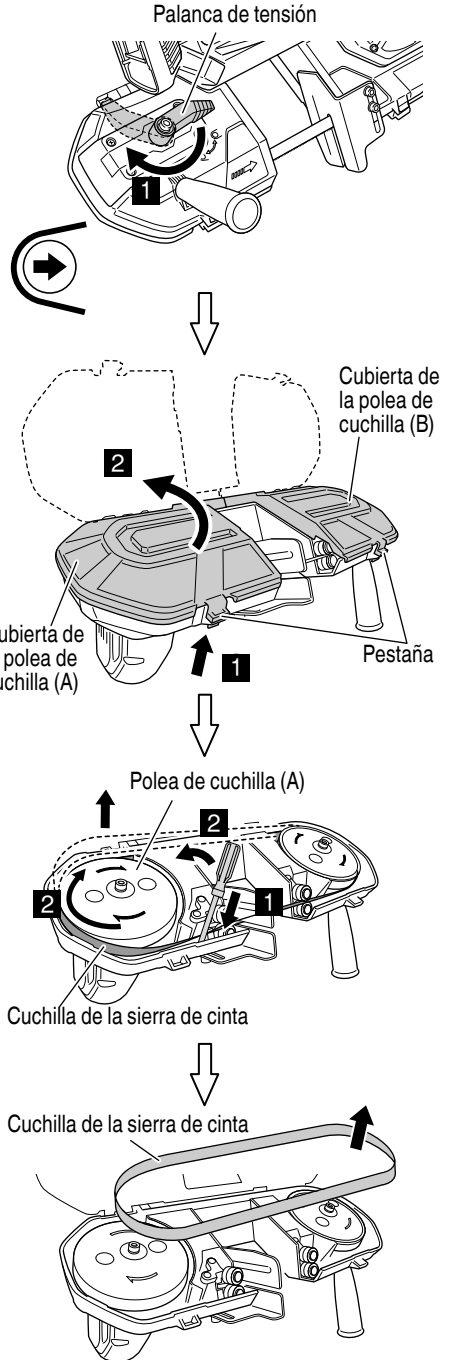


Fig. 12

### Cómo instalar (Fig. 13)

Teniendo cuidado con la dirección de la rotación y la orientación de la cuchilla de la sierra de cinta (refiérase a la figura), coloque la cuchilla de la sierra de cinta en el rodillo de guía (A) y (B), instalando la cuchilla de la sierra de cinta hasta que tome contacto con el apoyo del cojinete de bolas trasero de la cuchilla de la sierra de cinta.

Agarrando la cuchilla de la sierra de cinta en posición para que no se suelte, asiente la cuchilla de la sierra de cinta en la polea de la cuchilla (B) y luego (A), en este orden.

En este punto, asegúrese de que la cuchilla de la cuchilla de la sierra de cinta no sobresalga por los bordes de la polea de cuchilla (A) y que la cuchilla de la sierra de cinta no se asiente sobre la parte del anillo de la polea de cuchilla (B).

Agarrando la cuchilla de la sierra de cinta en posición, gire la palanca de tensión en la dirección de apriete y asegure la cuchilla de la sierra de cinta.

En este punto, rote la polea de la cuchilla (A) en la dirección de rotación con sus manos y asegúrese de que la cuchilla de la sierra de cinta no se suelte.

Cierre la cubierta de la polea de cuchilla (A) y (B).

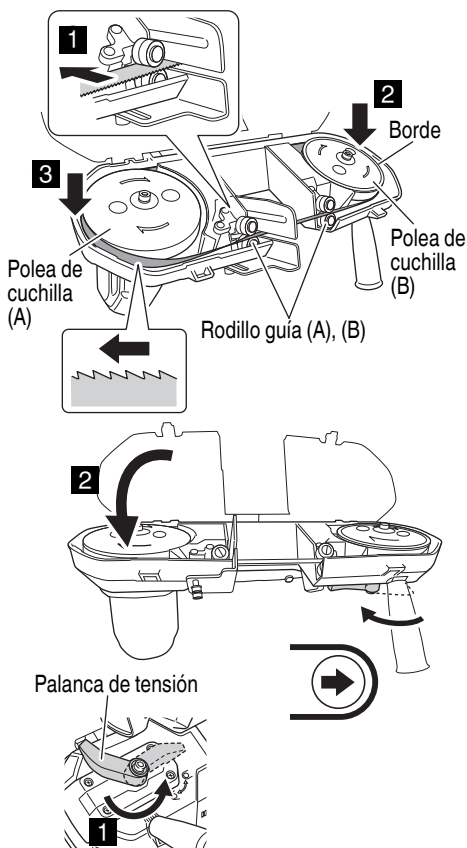


Fig. 13

### NOTA

- Minimice el corte de calentamiento con la cuchilla de la sierra de cinta. El corte de calentamiento reduce la vida útil de la cuchilla de la sierra de cinta.
- Compruebe que no haya muescas, grietas ni ninguna otra anomalía en la cuchilla de la sierra de cinta antes de instalarla.
- Limpie cualquier resto de aceite o residuo adherido a la cuchilla de la sierra de cinta antes de instalarla en las poleas de la cuchilla. Igualmente, limpie cualquier viruta o suciedad adherida a las gomas de la polea de la cuchilla. Si instala una cuchilla de la sierra de cinta con aceite o suciedad adheridos en las poleas de la cuchilla, la cuchilla de la sierra de cinta podría moverse o soltarse.
- Al instalar la cuchilla de la sierra de cinta, no doble ni retuerza su unión. De lo contrario, podría dañar la cuchilla de la sierra de cinta.

**⚠ PRECAUCIÓN: de la batería de litio**  
Para ampliar su duración, la batería de litio está equipada con la función de protección para detener la salida. Por lo tanto, si se sobrecarga al batería, el motor puede detenerse. No obstante, esto no es un problema, sino el resultado de la función de protección. En este caso, suelte el interruptor de la herramienta y elimine las causas de la sobrecarga.

- ⚠ PRECAUCIÓN**
- Cuando conecte la herramienta, asegúrese de que la cuchilla de la sierra de cinta no está en contacto con la pieza de trabajo. De lo contrario, podrían producirse lesiones.
  - Para la eficiencia del corte, cambie la velocidad de la cuchilla de la sierra de cinta de acuerdo con las condiciones de operación y la pieza de trabajo que vaya a ser cortada.
  - No aplique ninguna presión innecesaria al operar la herramienta. Hacerlo podría dañar la cuchilla de la sierra de cinta.
  - Luego del uso, asegúrese de no colocar la herramienta cerca de las virutas hasta que no esté totalmente detenida, ya que la herramienta podría absorber estas partículas.

### OPERACIÓN DE CORTE

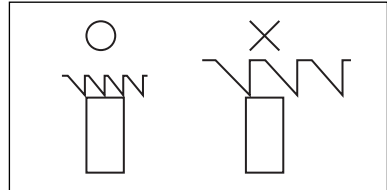
- ⚠ ADVERTENCIA**
- Asegúrese de mantener el interruptor en posición OFF y la batería extraída para evitar posibles accidentes.
  - Durante la operación, no coloque la cara o las manos cerca de la herramienta de aplicación.

- Seleccione una cuchilla de la sierra de cinta (los dientes/pulgadas de la cuchilla de la sierra de cinta) y una velocidad de operación que se adapten a las propiedades y al grosor de la pieza de trabajo a cortar.
- Al usar una cuchilla de sierra de cinta nueva, asegúrese de colocar el dial de ajuste de velocidad de funcionamiento de la cuchilla de la sierra de cinta en "1" y realice 1-2 cortes de calentamiento con una carga de corte ligera (mientras presiona el producto ligeramente hacia arriba) sobre un objeto con un diámetro exterior de 3/4" o menor, como por ejemplo una varilla cilíndrica (acero al carbono).  
No realizar cortes de calentamiento podría causar muescas en el filo de la cuchilla y reducir la precisión de corte.
- No corte material termoplástico. Podría fundirse a causa del calor de fricción del corte, lo que resultaría en el acañamiento de la cuchilla de la sierra de cinta en el material y el bloqueo del motor.
- No corte materiales duros, como por ejemplo el acero templado.
- Si existe algún hueco entre la placa guía y la pieza de trabajo, la pieza podría cambiar de posición erráticamente y romper la cuchilla de la sierra de cinta.
- No aplique cargas excesivas sobre la cuchilla de la sierra de cinta.
- Si la pieza de trabajo es fina (grosor de 0.08" mm o inferior), corte con la pieza ligeramente elevada.
- Sobre el uso continuo  
Esta herramienta está equipada con un circuito de protección de temperatura que protege el motor así como los componentes de control de la unidad del motor electrónico.  
Si usa la herramienta continuamente, la temperatura de la unidad podría aumentar y activar el circuito de protección de temperatura, deteniendo la operación automáticamente. En dicho caso, permita que la máquina se enfríe.  
Una vez haya disminuido la temperatura, la herramienta estará lista para el uso.  
En los casos en los que se cambie la batería de almacenamiento durante el uso continuo, permita que la herramienta a batería repose aproximadamente 15 minutos antes de volver a usarla.  
Si comienza el uso poco después de cambiar la batería, las temperaturas del motor, interruptor, etc., aumentarán y podría causar una avería o daños.
- Cómo sujetar la unidad y aplicar fuerza  
Agarre la herramienta firmemente con ambas manos.

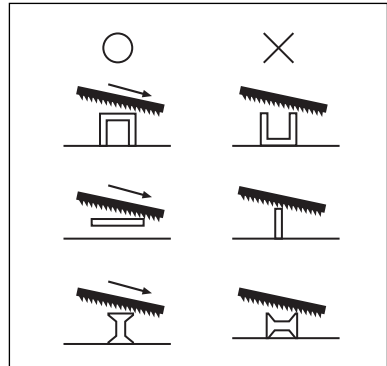
Quando agarre la unidad, asegúrese de que la cuchilla de la sierra de cinta esté perpendicular a la pieza de trabajo.

Además, no hace falta presionar la unidad con demasiada fuerza.

Tenga presente que aplicar presión en palanca o fuerza excesiva sobre la herramienta podría averiar o dañar la unidad.



Para lograr un corte estable, mantenga en el corte un mínimo de dos dientes.



Seleccione la posición de corte apropiada para la pieza de trabajo refiriéndose a la figura.

1. Presione la pieza de trabajo contra la placa guía (Fig. 14)  
Presione la pieza de trabajo contra la placa guía en una posición en la que no haya contacto con la cuchilla de la sierra de cinta.
2. Oprima el interruptor y corte (Fig. 14)  
Cuando las revoluciones estén estables, evite impactos repentinos en la sierra de cinta y acérquela suavemente a la pieza de trabajo que va a ser cortada.  
Al completar un corte, agarre la herramienta con firmeza, para evitar que se caiga contra la pieza de trabajo.

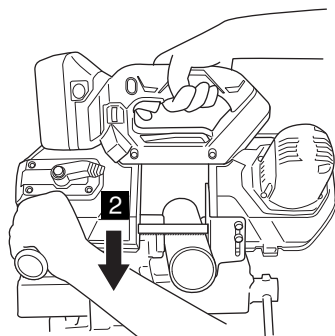
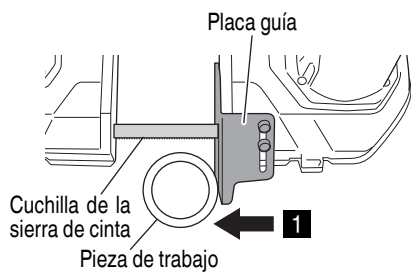


Fig. 14

# MANTENIMIENTO E INSPECCIÓN

- ⚠ **ADVERTENCIA:** Asegúrese de desconectar el interruptor y sacar la pila.  
Asegúrese de usar guantes al manipular la cuchilla de la sierra de cinta.

## 1. Sustitución de la cuchilla de la sierra de cinta (Fig. 12, 13)

Si la cuchilla de la sierra de cinta se deteriora, podría causar una sobrecarga del motor y de varias partes de la herramienta, al mismo tiempo que reducirá su eficacia.

No retrase la sustitución de la cuchilla de la sierra de cinta.

## 2. Inspección de las gomas de la correa de la cuchilla (Fig. 15)

Las gomas de la polea de la cuchilla están instaladas en las circunferencias exteriores de las poleas de la cuchilla (2 ubicaciones). (Tipo instalado) Al sustituir la cuchilla de la sierra de cinta, inspeccione las gomas de la polea de la cuchilla en busca de holguras o daños.

Si hay holguras o daños, solicite repuestos al centro de servicio autorizado de metabo HPT, ya que podría causar que la cuchilla de la sierra de cinta pierda la estabilidad o se afloje.

## NOTA

Retire periódicamente cualquier viruta, etc., que se haya adherido a las gomas de la polea de la cuchilla. De lo contrario podría causar el deslizamiento de la cuchilla de la sierra de cinta y/o lesiones.

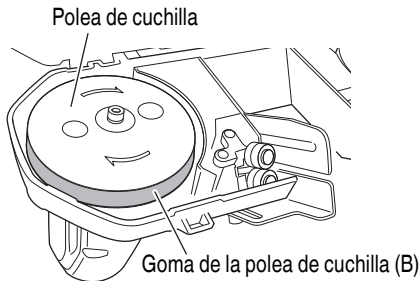


Fig. 15

## 3. Inspección de los soportes del cojinete de bolas trasero de la cuchilla de la sierra de cinta (Fig. 16)

Inspeccione periódicamente el interior de los portacojinetes de los soportes del cojinete de bolas trasero de la cuchilla de la sierra de cinta en busca de desgastes.

Si los soportes del cojinete de bolas trasero de la cuchilla de la sierra de cinta están desgastados, se aplicará una fuerza excesiva sobre la cuchilla de la sierra de cinta que podría causar daños en la misma. Si los soportes del cojinete de bolas trasero de la cuchilla de la sierra de cinta están desgastados,

solicite repuestos al centro de servicio autorizado de metabo HPT.

Apoyo del cojinete de bolas trasero de la cuchilla de la sierra de cinta Rodillos guía

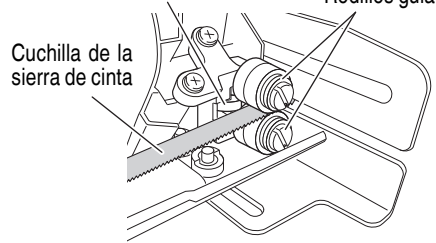


Fig. 16

## 4. Inspección de los rodillos guía de la cuchilla de la sierra de cinta y ajuste de separaciones (Fig. 17)

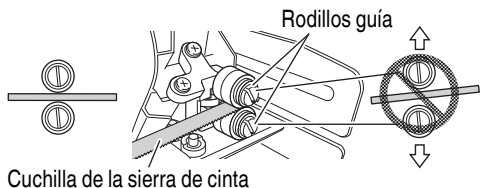
Luego de un uso continuado de la unidad, las separaciones entre los rodillos de la cuchilla de la sierra de cinta podrían ampliarse.

Si las separaciones se amplían, la cuchilla de la sierra de cinta podría inclinarse y resultar en una precisión de corte reducida.

Inspeccione periódicamente si las separaciones entre los rodillos guía de la cuchilla de la sierra de cinta son apropiados (los cojinetes deben tocar ligeramente la cuchilla de la sierra de cinta) y realice ajustes en caso necesario.

Además, si los rodillos guía de la cuchilla de la sierra de cinta están dañados, solicite el reemplazo a un centro de servicio de metabo HPT autorizado.

- ① Abra la cubierta de la polea y remueva la cuchilla de la sierra de cinta.  
(Refiérase a la Fig. 12 para el procedimiento de remover la cuchilla de la sierra de cinta)
- ② Utilice un destornillador de cabezal Phillips para aflojar los soportes de cojinetes (A) y (B) de la unidad.
- ③ Utilice un destornillador de pala para aflojar los pasadores de los cojinetes.  
Coloque la cuchilla de la sierra de cinta entre los rodillos guía y apriete los pasadores de los cojinetes, ajustando como sea necesario para asegurarse de que la cuchilla está en ligero contacto con los apoyos.
- ④ Coloque los soportes de los cojinetes (A) y (B) de nuevo en la unidad e instale la cuchilla de la sierra de cinta.  
(Refiérase a la Fig. 13 para el procedimiento de instalar la cuchilla de la sierra de cinta)



Cuchilla de la sierra de cinta

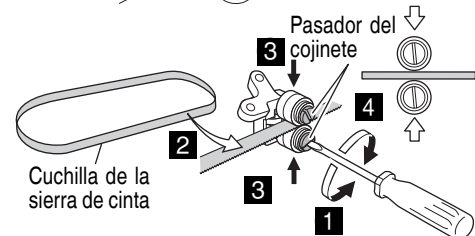
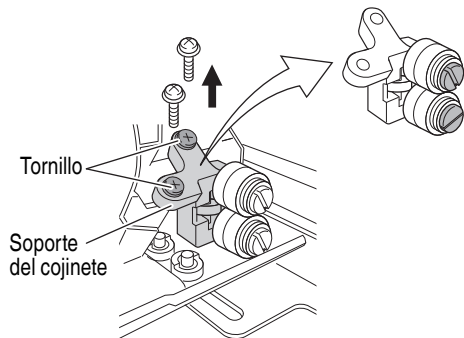
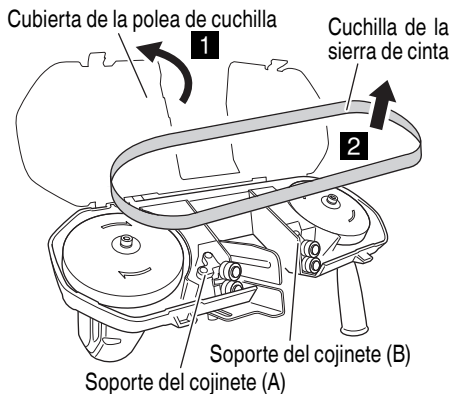


Fig. 17

5. Comprobación de los tornillos  
Los tornillos son peligrosos. Inspecciónelos regularmente y cerciórese de que estén bien apretados.

**⚠ PRECAUCIÓN**  
La utilización de una herramienta eléctrica con tornillos flojos es extremadamente peligrosa.

6. Mantenimiento de motor  
La unidad de bobinado del motor es el verdadero "corazón" de las herramientas eléctricas. Prestar el mayor cuidado a asegurarse de que el bobinado no se dañe y/o se humedezca con aceite o agua.
7. Comprobación del polvo  
El polvo podrá eliminarse con un paño suave y seco o ligeramente humedecido en agua jabonosa. No utilice lejía, cloro, gasolina, ni diluidor de pintura, porque podrían dañar el plástico.
8. Eliminación de las baterías agotadas

### ⚠ ADVERTENCIA

No tire las baterías agotadas. Las baterías pueden explotar si se incineran. El producto que ha adquirido contiene una batería. La batería es reciclable. Cuando se agote su duración útil, de acuerdo con las leyes estatales y locales, puede ser ilegal tirar esta batería a la basura. Solicite a las autoridades locales los detalles sobre las opciones de reciclado o de la forma de deshacerse apropiadamente de la batería.

9. Almacenamiento  
Guarde la herramienta en un lugar con menos de 104°F (40°C) y fuera del alcance de niños.

### NOTA

Almacenar baterías de ion-litio  
Compruebe que las baterías de ion-litio se han cargado completamente antes de almacenarlas. Un almacenamiento prolongado de las baterías (3 meses o más) con carga baja podría deteriorar su funcionamiento, reduciendo en gran medida el tiempo de uso de la batería o haciendo que las baterías no puedan mantener una carga. No obstante, la reducción en gran medida del tiempo de uso de la batería puede recuperarse si se carga y utiliza de dos a cinco veces. Si el tiempo de uso de la batería es extremadamente corto a pesar de haber cargado y utilizado la batería varias veces, deberá considerarla agotada y comprar una nueva.

10. Mantenimiento y reparación  
Todas las herramientas eléctricas de calidad requieren de vez en cuando el servicio de mantenimiento o el reemplazo de piezas debido al desgaste producido durante la utilización normal. Para asegurarse de que solamente se utilicen piezas de reemplazo autorizadas, todos los servicios de mantenimiento y reparación deberán realizarse SOLAMENTE EN UN CENTRO DE REPARACIONES AUTORIZADO POR metabo HPT.

**⚠ PRECAUCIÓN**  
En el manejo y el mantenimiento de las herramientas eléctricas, se deberán observar las normas y reglamentos vigentes en cada país.

**Aviso importante sobre las pilas de las herramientas inalámbricas de metabo HPT**

Utilice siempre una de nuestras pilas genuinas. No podemos garantizar la seguridad y el funcionamiento de nuestra herramienta eléctrica inalámbrica cuando se utiliza con pilas diferentes a las indicadas por nosotros o cuando la pila se desmonta y modifica (como cuando se desmontan y sustituyen celdas u otras piezas internas).

## ACCESORIOS

### ⚠ ADVERTENCIA

Utilice únicamente repuestos y accesorios autorizados por metabo HPT. NO utilice NUNCA repuestos o accesorios no previstos para usar con esta herramienta. Si tiene dudas en cuanto a la seguridad de usar determinado repuesto o accesorio junto con su herramienta, póngase en contacto con metabo HPT.

La utilización de otros accesorios puede resultar peligrosa y causar lesiones o daños mecánicos.

### NOTA

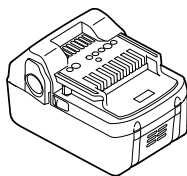
Las especificaciones están sujetas a cambio sin ninguna obligación por parte de metabo HPT.

### ACCESORIOS ESTÁNDAR

CB18DBL (NN)	<input type="radio"/> Cuchilla de la sierra de cinta (aleación bimetálica 18 TPI)..... 1
	<input type="radio"/> Asidero lateral (n.º de código 981828) ..... 1
	<input type="radio"/> Llave de barra hexagonal (n.º de código 944458)..... 1
	La batería, el cargador de baterías, la caja de plástico y la tapa de batería no se incluyen.

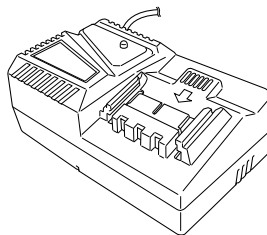
### ACCESORIOS OPCIONALES.....de venta por separado

1. Batería



BSL1850 (N.º de código 335791)

2. Cargador de baterías



UC18YFSL

3. Cuchilla de la sierra de cinta

Aleación bimetálica	18 TPI (3 uds./pack)	N.º de código 338431
	14 TPI (3 uds./pack)	N.º de código 338430

### NOTA



Las especificaciones están sujetas a cambio sin ninguna obligación por parte de metabo HPT.

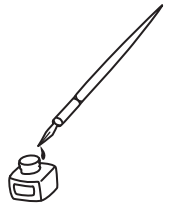


## SOLUCIÓN DE PROBLEMAS

Siga las instrucciones que se indican en la siguiente tabla si la herramienta no opera normalmente. Si esto no soluciona el problema, comuníquese con a su distribuidor o al centro de servicio autorizado de metabo HPT.

Síntoma	Posible causa	Solución
La unidad no se pone en marcha/está detenida	La capacidad de la batería se ha agotado	Cargue la batería de almacenamiento.
La unidad se ha detenido repentinamente	La unidad está sobrecargada	Elimine la causa del exceso de carga.
	La batería de almacenamiento se ha recalentado	Permita que la batería de almacenamiento se enfríe.
La cuchilla de la sierra de cinta se ha soltado	Hay aceite u hollín adheridos a la cuchilla de la sierra de cinta o a la pieza de trabajo	Limpie el aceite u hollín adheridos a la cuchilla de la sierra de cinta o a la pieza de trabajo.
	La cuchilla de la sierra de cinta no está correctamente instalada	Instale correctamente la cuchilla de la sierra de cinta. (Consulte "Sustitución de la cuchilla de la sierra de cinta")
La cuchilla de la sierra de cinta se ha quedado adherida a la pieza de trabajo	No está usando una cuchilla de la sierra de cinta apta para la pieza de trabajo	Seleccione la cuchilla de la sierra de cinta correcta. (Consulte "Selección de la cuchilla de la sierra de cinta")
	No está usando una velocidad de operación de la cuchilla de la sierra de cinta apta para la pieza de trabajo	Seleccione la velocidad de operación de la cuchilla de la sierra de cinta correcta. (Consulte "Ajuste de la velocidad de operación")
La precisión de corte es baja	La cuchilla de la sierra de cinta se ha desgastado	Sustituya la cuchilla de la sierra de cinta por una nueva.
	No está usando una cuchilla de la sierra de cinta apta para la pieza de trabajo	Seleccione la cuchilla de la sierra de cinta correcta. (Consulte "Selección de la cuchilla de la sierra de cinta")
	No está usando una velocidad de operación de la cuchilla de la sierra de cinta apta para la pieza de trabajo	Seleccione la velocidad de operación de la cuchilla de la sierra de cinta correcta. (Consulte "Ajuste de la velocidad de operación")
	La cuchilla de la sierra de cinta no está correctamente instalada	Instale correctamente la cuchilla de la sierra de cinta. (Consulte "Sustitución de la cuchilla de la sierra de cinta")
	Los huecos entre los soportes del cojinete de bolas de la cuchilla de la sierra de cinta han aumentado	Ajuste correctamente los huecos. (Refiérase a "Inspección de los rodillos guía de la cuchilla de la sierra de cinta y ajuste de separaciones")
	Se está utilizando una cuchilla de la sierra de cinta no autorizada por el fabricante	Use una cuchilla de la sierra de cinta autorizada por el fabricante.
	No se han realizado suficientes cortes de calentamiento	Con el dial de ajuste de velocidad de operación de la cuchilla de la sierra de cinta ajustado en "1", realice 1 o 2 cortes de calentamiento con una carga ligera, como por ejemplo una varilla cilíndrica (acero al carbono, etc.) con un diámetro exterior de 3/4" o inferior.

Síntoma	Posible causa	Solución
El corte tarda mucho	<p>La cuchilla de la sierra de cinta está orientada en la dirección equivocada</p> <p>Dirección de rotación </p>	<p>Instale correctamente la cuchilla de la sierra de cinta. (Consulte “Sustitución de la cuchilla de la sierra de cinta”)</p> <p>Dirección de rotación </p>
	No está usando una cuchilla de la sierra de cinta apta para la pieza de trabajo	Seleccione la cuchilla de la sierra de cinta correcta. (Consulte “Selección de la cuchilla de la sierra de cinta”)
	La velocidad de operación de la cuchilla de la sierra de cinta no es apta para la pieza de trabajo	Seleccione la velocidad de operación de la cuchilla de la sierra de cinta correcta. (Consulte “Ajuste de la velocidad de funcionamiento”)
	La cuchilla de la sierra de cinta se ha desgastado	Coloque correctamente la cuchilla de la sierra de cinta.
	El suministro de batería restante es bajo	Cargue la batería de almacenamiento.
Se producen grandes vibraciones durante el corte	El borde de la cuchilla de la sierra de cinta se ha desportillado	Coloque correctamente la cuchilla de la sierra de cinta.
	No está usando una cuchilla de la sierra de cinta apta para la pieza de trabajo	Seleccione la cuchilla de la sierra de cinta correcta. (Consulte “Selección de la cuchilla de la sierra de cinta”)
	La velocidad de operación de la cuchilla de la sierra de cinta no es apta para la pieza de trabajo	Seleccione la velocidad de operación de la cuchilla de la sierra de cinta correcta. (Consulte “Ajuste de la velocidad de funcionamiento”)
El borde de la cuchilla se desportilla frecuentemente	La unidad está siendo presionada con demasiada fuerza durante el corte	Corte usando el propio peso de la unidad o presione ligeramente.
	La cuchilla de la sierra de cinta ha impactado contra la pieza de trabajo	Acerque la cuchilla de la sierra de cinta a la pieza de trabajo lentamente y comience a cortar con suavidad.
	La pieza de trabajo se ha movido durante el corte	Fije firmemente la pieza de trabajo contra un banco de tornillo, etc.
	No está usando una cuchilla de la sierra de cinta apta para la pieza de trabajo	Seleccione la cuchilla de la sierra de cinta correcta. (Consulte “Selección de la cuchilla de la sierra de cinta”)
	La velocidad de operación de la cuchilla de la sierra de cinta no es apta para la pieza de trabajo	Seleccione la velocidad de operación de la cuchilla de la sierra de cinta correcta. (Consulte “Ajuste de la velocidad de funcionamiento”)



## WARNING:

Some dust created by power sanding, sawing, grinding, drilling, and other construction activities contains chemicals known to the State of California to cause cancer, birth defects or other reproductive harm. Some examples of these chemicals are:

- Lead from lead-based paints,
- Crystalline silica from bricks and cement and other masonry products, and
- Arsenic and chromium from chemically-treated lumber.

Your risk from these exposures varies, depending on how often you do this type of work. To reduce your exposure to these chemicals: work in a well ventilated area, and work with approved safety equipment, such as those dust masks that are specially designed to filter out microscopic particles.

## AVERTISSEMENT:

La poussière résultant d'un ponçage, d'un sciage, d'un meulage, d'un perçage ou de toute autre activité de construction renferme des produits chimiques qui sont connus par l'Etat de Californie pour causer des cancers, des défauts de naissance et autres anomalies de reproduction. Nous énumérons ci-dessus certains de ces produits chimiques:

- Plomb des peintres à base de plomb,
- Silice cristalline des briques et du ciment et autres matériaux de maçonnerie, et
- Arsenic et chrome du bois d'oeuvre traité chimiquement.

Le risque d'exposition à ces substances varie en fonction de la fréquence d'exécution de ce genre de travail. Pour réduire l'exposition à ces produits chimiques, travailler dans un lieu bien ventilé, et porter un équipement de protection agréé, par exemple un masque anti-poussière spécialement conçu pour filter les particules microscopiques.

## ADVERTENCIA:

Algunos polvos creados por el lijado mecánico, el aserrado, el esmerilado, el taladrado y otras actividades de construcción contienen sustancias químicas conocidas por le Estado de California como agentes cancerígenos, defectos congénitos y otros daños reproductores. Algunos ejemplos de estas sustancias químicas son:

- El plomo de las pinturas a base de plomo,
- El sílice cristalino de los ladrillos y cemento y otros productos de mampostería, y
- El arsénico y el cromo de la madera tratada químicamente.

El riesgo resultante de la exposición varía según la frecuencia con que se realiza este tipo de trabajo. Para reducir la exposición a esta sustancias químicas: trabaje en un lugar bien ventilado y realice el trabajo utilizando el equipamiento apropiado, tal como las máscaras para el polvo especialmente diseñados para eliminar las partículas minúsculas.



Please contact Koki Holdings America Ltd. at 1-800-59-TOOLS (toll free), or metabo HPT AUTHORIZED POWER TOOL SERVICE CENTER regarding COLLECTION.

Pour le RAMASSAGE, contacter Koki Holdings America Ltd. au 1-800-59-TOOLS (appel gratuit), ou UN SERVICE APRÈS-VENTE D'OUTILS ÉLECTRIQUE AGRÉÉ PAR metabo HPT.

Con respecto a la RECOLECCIÓN de baterías, póngase en contacto con Koki Holdings America Ltd. número 1-800-59-TOOLS (llamada gratis), o con metabo HPT AUTHORIZED POWER TOOL SERVICE CENTER.

Issued by

# Koki Holdings Co., Ltd.

Shinagawa Intercity Tower A, 15-1, Konan 2-chome,  
Minato-ku, Tokyo 108-6020, Japan

Distributed by

# Koki Holdings America Ltd.

1111 Broadway Ave,  
Braselton, Georgia, 30517

# Koki Holdings America Ltd. Canadian Branch

3405 American Drive, Units 9-10,  
Mississauga, ON, L4V 1T6