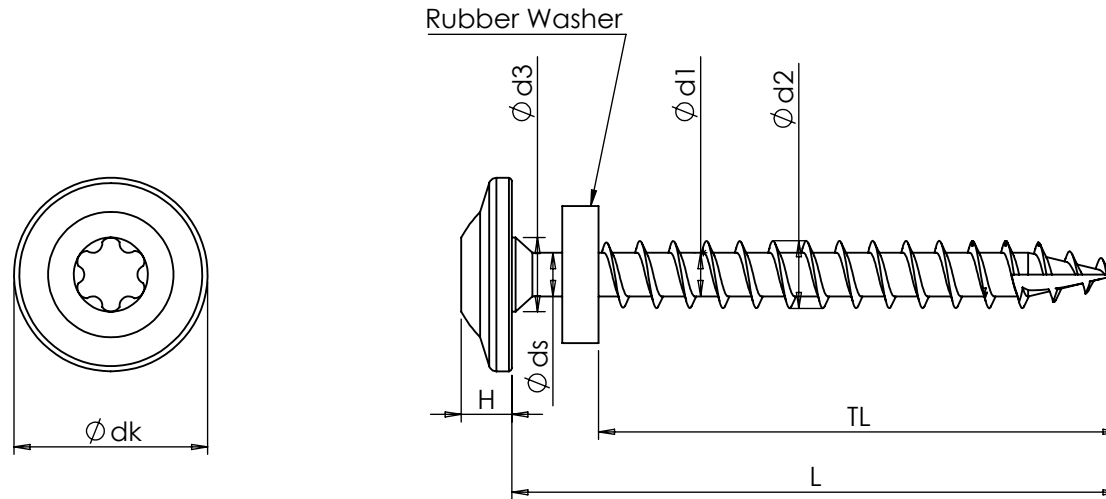
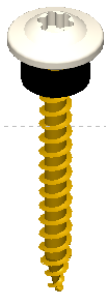


GRK MSS





SIZE	Head diameter (dk)	Head height (H)	Shoulder (d3)	Shank diameter (ds)	Minor diameter (d1)	Major diameter (d2)	Length (L)	Thread length (TL)
#9 X 1"	0.511	0.154	0.208	0.129	0.114	0.177	0.984	FULL
#9 X 1-1/2"							1.520	
#9 X 2"							2.480	



Dimensions are in inches without any manufacturing tolerances !

#9 have a T-25 Star drive.

PROPRIETARY AND CONFIDENTIAL
 THE INFORMATION CONTAINED IN THIS DRAWING IS THE SOLE PROPERTY OF Illinois Tool Works Inc. ANY REPRODUCTION IN PART OR AS A WHOLE WITHOUT THE WRITTEN PERMISSION OF Illinois Tool Works Inc. IS PROHIBITED.

Distribution Record	Headmark			NAME	DATE	 
ITW				S.Ruhmann	MARCH 27-2015	
				CHECKED		
				ENG APPR.		
				MFG APPR.		
				Q.A.		955 National Parkway, Suite 95500 Schaumburg, IL 60173 USA
						DWG. NO. Sales Support MSS Screw
						REV. 0
						MSS SHEET 1 OF 1