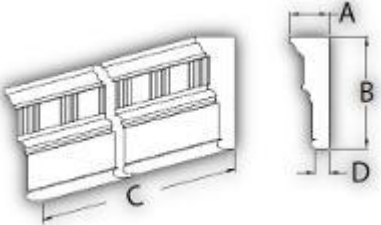
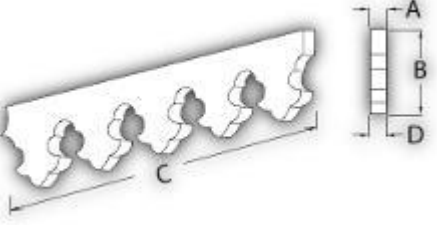

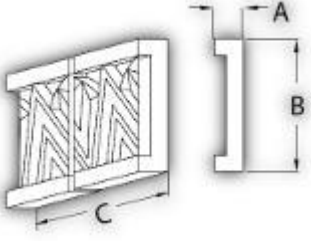


Fypon Polyurethane Decorative Moulding Specifications

SKU	Projection(A)	Height(B)	Length(C)	Bottom Thickness(D)	Design Repeat	Profile
MLD609-12	7/8"	2 1/16"	12'	3/8"	1 7/8"	
MLD562-8	2 3/8"	2 15/16"	8' 5"	7/16"	6 1/8"	
MLD600-8	3/4"	4 5/16"	8'	1/4"	5 5/8"	
MLD600-10	3/4"	4 5/16"	10'	1/4"	5 5/8"	

MLD241-16	1 5/8"	4 3/4"	16'	17/32"	—	
MLD640-8	1"	5 13/16"	8'	1"	6"	
MLD604-12	1 5/16"	6 3/4"	11' 4"	5/8"	13 3/8"	
MLD647-16	1 3/4"	8"	16'	1 3/4"	12"	
MLD532-16	2"	13 1/2"	16'	1 1/4"	17 1/8"	