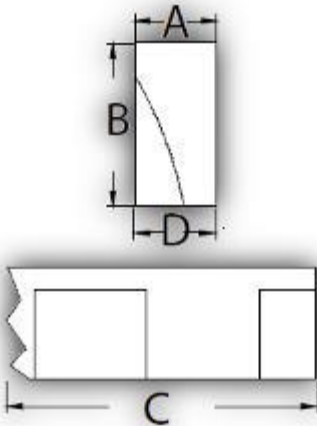
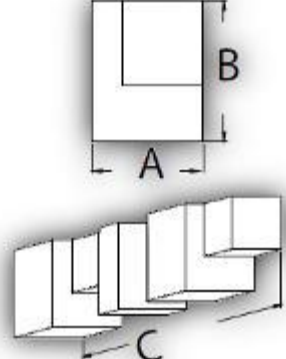
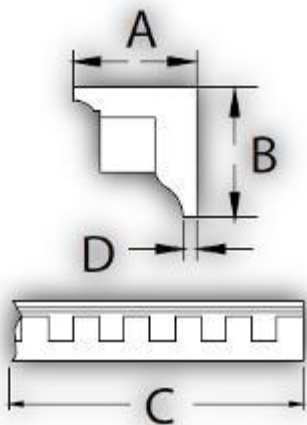
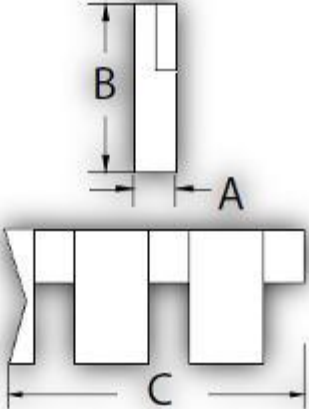
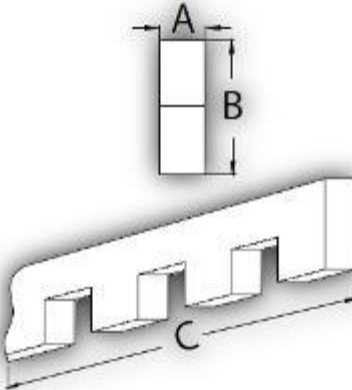
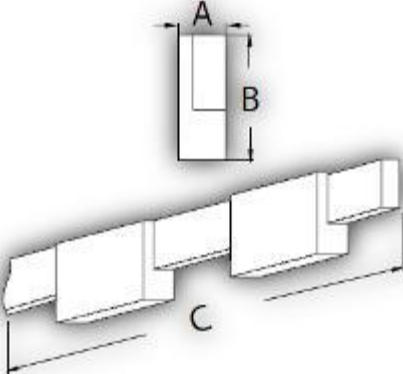
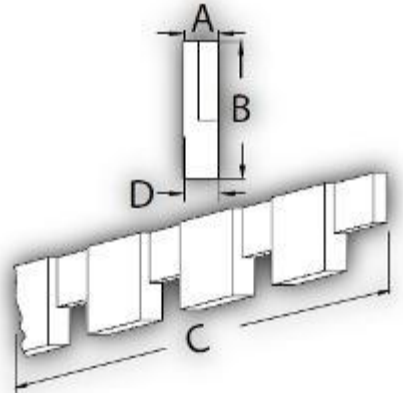
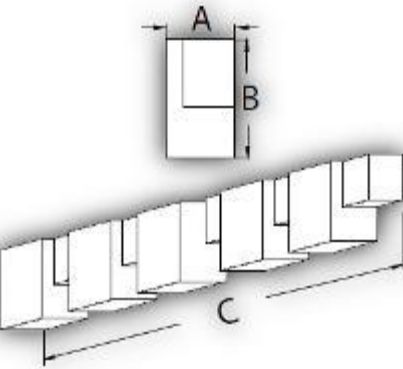
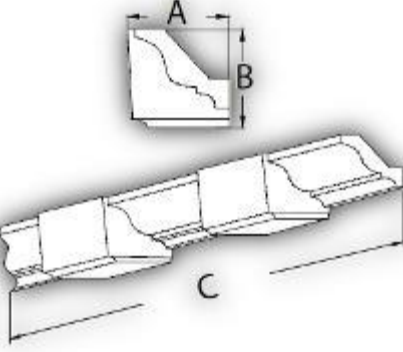


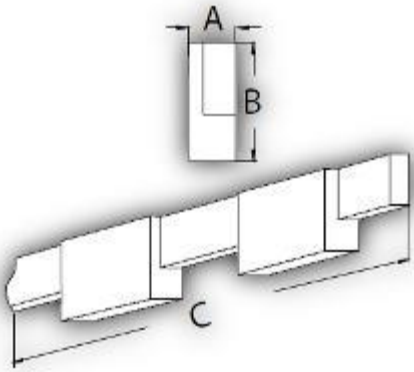
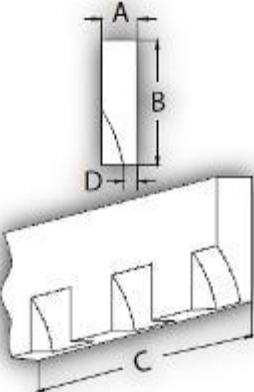
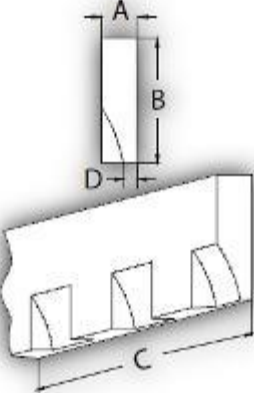
Fypon Polyurethane Dentil Moulding Specifications

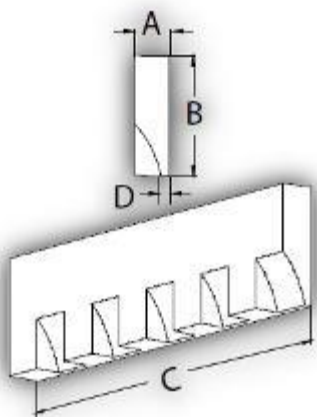
SKU	Projection(A)	Height(B)	Length(C)	Bottom Thickness(D)	Design Repeat	Tooth	Space	Profile
MLD303-5	5/8"	1 1/4"	5'	3/16"	1 1/2"	3/4"	3/4"	
MLD304-5	5/8"	1 1/4"	5'	3/16"	2 1/2"	1 1/4"	1 1/4"	

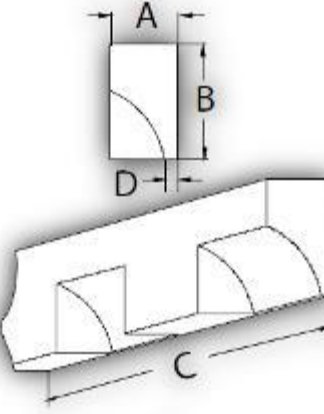
MLD304-8	5/8"	1 1/4"	8'	3/16"	2 1/2"	1 1/4"	1 1/4"	
MLD356-12	1 3/8"	1 7/8"	12'	—	2 3/8"	1 1/4"	1 1/8"	
MLD313-8	2 1/4"	2 3/8"	8'	1/4"	2"	1"	1"	

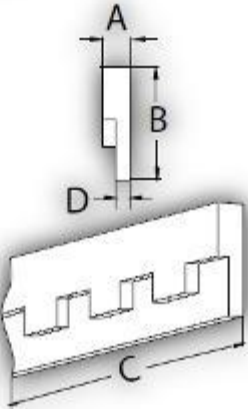
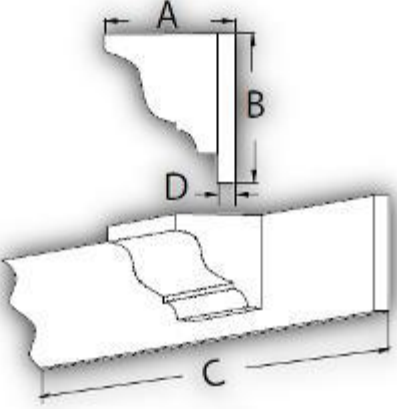
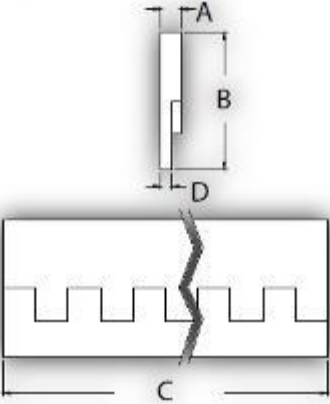
MLD355-8	5/8"	2 1/2"	8' 3/8"	—	2 1/8"	1 3/8"	3/4"	
MLD354-12	1"	3 1/16"	12' 2 1/4"	—	3 1/4"	1 5/8"	1 5/8"	
MLD351-8	1 1/4"	3 1/4"	8' 2"	7"	3 1/2"	3 1/2"		

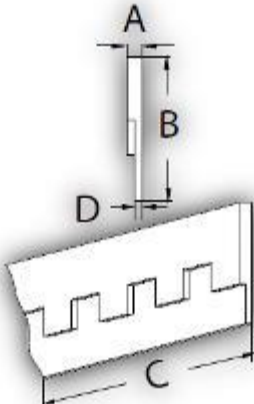
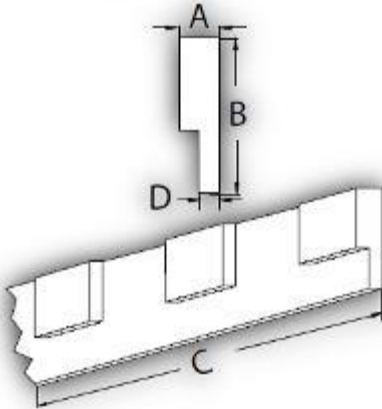
MLD350- 8	7/8"	3 1/2"	8' 3 3/4"	1/2"	3 11/16"	2 3/16"	1 1/2"	
MLD352- 8	2"	3 1/2"	8' 3 3/4"	—	3 11/16"	2 3/16"	1 1/2"	
MLD360- 8	3 1/2"	3 3/4"	8'	—	8"	3 11/16"	4 5/16"	

MLD353-8	1 1/4"	4 7/16"	8' 1/4"	—	8 3/4"	4 3/8"	4 3/8"	
MLD310-8	1 1/4"	4 1/2"	8'	7/16"	3"	1 17/32"	1 15/32"	
MLD310-12	1 1/4"	4 1/2"	12'	7/16"	3"	1 17/32"	1 15/32"	

MLD310-16	1 1/4"	4 1/2"	16'	7/16"	3"	$\frac{1}{17/32}$ "	$\frac{1}{15/32}$ "	
MLD332-8	1 5/8"	5"	8'	7/8"	4"	2"	2"	
MLD320-8	1 5/8"	5 3/4"	8'	3/8"	4 9/16"	2 3/8"	2 3/16"	

MLD320-12	1 5/8"	5 3/4"	12'	3/8"	4 9/16"	2 3/8"	2 3/16"	
MLD320-16	1 5/8"	5 3/4"	16' 1 1/2"	3/8"	4 9/16"	2 3/8"	2 3/16"	
MLD335-12	3 3/8"	6 1/8"	12'	1/2"	7 1/4"	3 1/16"	4 3/16"	

MLD330-12	1 5/8"	7"	12'	7/8"	4"	2"	2"	
MLD370-8	6 1/2"	7 1/2"	8'	1"	19 1/4"	4 3/4"	14 1/2"	
MLD331-16	1 3/8"	9 1/2"	16' 1 1/2"	3/4"	4 1/2"	2 1/4"	2 1/4"	

MLD333-12	1 3/16"	11 1/2"	12' 4 1/2"	5/8"	5 1/2"	2 3/4"	2 3/4"	
MLD334-12	4"	15"	12' 3"	2"	21"	9"	12"	
MLD434-16	3 3/4"	16"	15' 9"	1/8"	21"	9"	12"	