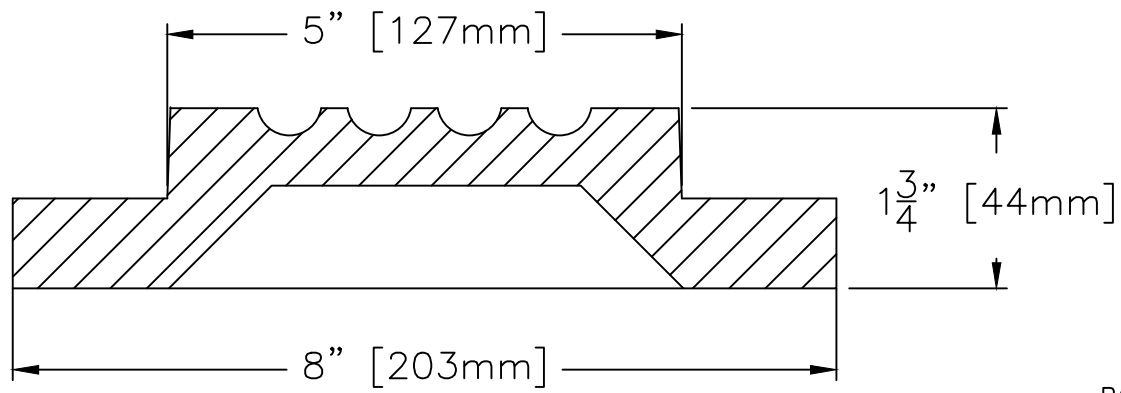
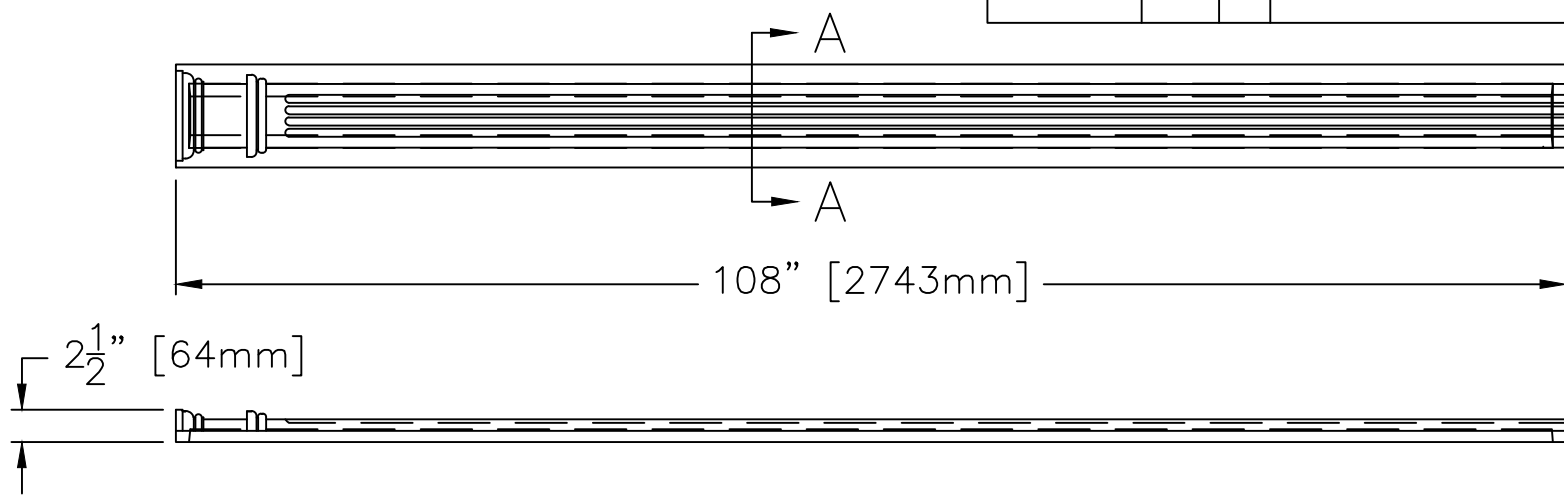


ECO NUMBER	ZONE	REV	DESCRIPTION	DATE	APPROVED



SECTION A-A
SHOWN HALF SCALE

PART WILL BE SMOOTH AND PRIMED. FINAL PAINT WILL BE REQUIRED AFTER INSTALLATION.

FYPON RESERVES THE RIGHT TO HOLLOW OUT THE BACK OF ANY PART WITHOUT NOTICE. SOME PRODUCTS MAY BE MADE AS ASSEMBLIES.

TOLERANCES - UNLESS OTHERWISE SPECIFIED				
FEATURE	INCHES		MILLIMETERS	
LENGTH	+ N/A	- N/A	+ N/A	- N/A
WIDTH	+ 1/16"	- 1/16"	+ 2mm	- 2mm
HEIGHT	+ 1/4"	- 1/4"	+ 6mm	- 6mm
PROJECTION	+ 1/16"	- 1/16"	+ 2mm	- 2mm
DIAMETER				
O.D.	+ N/A	- N/A	+ N/A	- N/A
I.D.	+ N/A	- N/A	+ N/A	- N/A

TITLE 11124 PIL 8X108 FLUTED PILASTER	
SIZE A	QUOTED ITEM NUMBER 11124A
DRWG NO. 11124A	REV
DRAWN BY CDB	DATE 12/19/91
CHECKED BY 	CHECKED BY
SCALE NTS	DO NOT SCALE DRAWING SHEET 1 OF 1
UNLESS OTHERWISE SPECIFIED, ALL DIMENSIONS ARE IN INCHES	