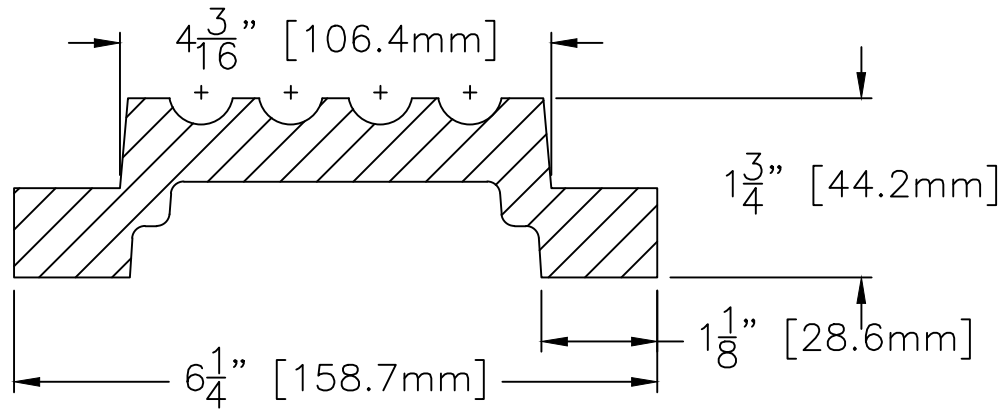
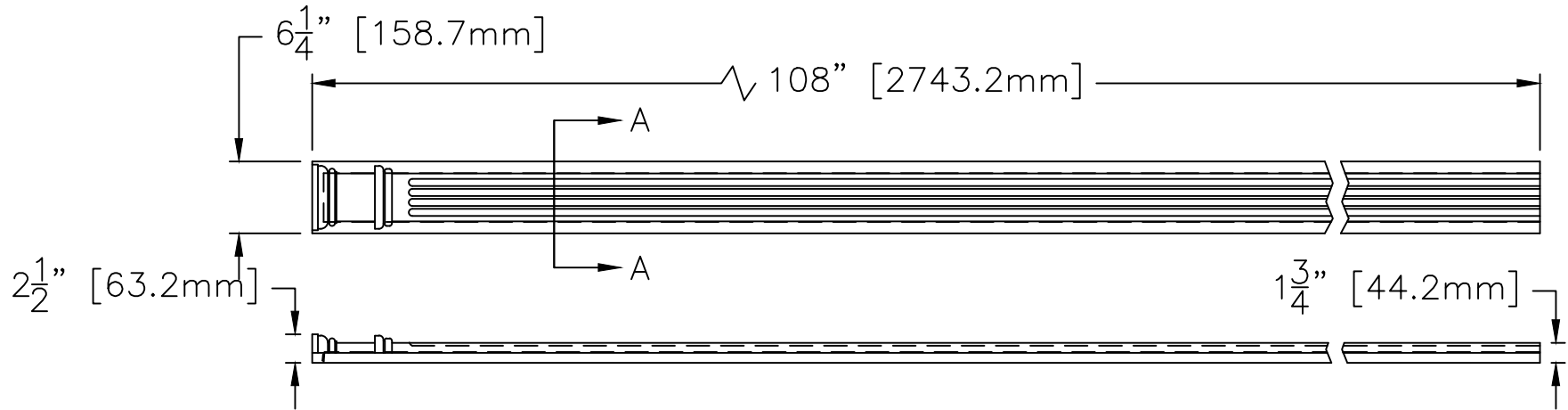


ECO NUMBER	ZONE	REV	DESCRIPTION	DATE	APPROVED



SECTION A-A  
SCALE: 1/2"=1"

PART WILL BE SMOOTH AND PRIMED. FINAL PAINT WILL BE REQUIRED AFTER INSTALLATION.

FYPON RESERVES THE RIGHT TO HOLLOW OUT THE BACK OF ANY PART WITHOUT NOTICE. SOME PRODUCTS MAY BE MADE AS ASSEMBLIES.

**TOLERANCES - UNLESS OTHERWISE SPECIFIED**

FEATURE	INCHES		MILLIMETERS	
	+	-	+	-
LENGTH	+ N/A	- N/A	+ N/A	- N/A
WIDTH	+ 1/8"	- 1/8"	+ 3mm	- 3mm
HEIGHT	+ 1/8"	- 1/8"	+ 3mm	- 3mm
PROJECTION	+ 1/16"	- 1/16"	+ 2mm	- 2mm
DIAMETER				
O.D.	+ N/A	- N/A	+ N/A	- N/A
I.D.	+ N/A	- N/A	+ N/A	- N/A



TITLE				PIL6X108	
PILASTER FLUTED ADJ PLTH 108X6X2-1/2 SMOOTH					
SIZE	QUOTED ITEM NUMBER	DRWG NO.	REV		
A			A		
DRAWN BY	JH	DATE	09/28/98	CHECKED BY	CHECKED BY
SCALE	1/16"=1"	DO NOT SCALE DRAWING	SHEET	1	OF 1
UNLESS OTHERWISE SPECIFIED, ALL DIMENSIONS ARE IN INCHES					

PIL6X108