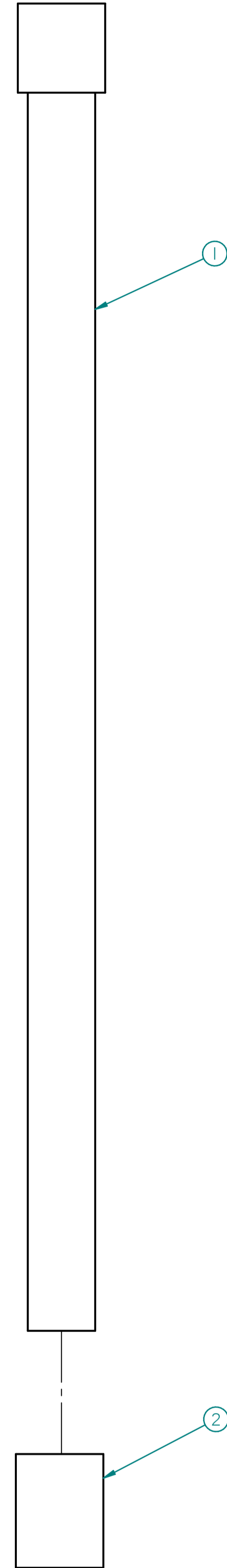


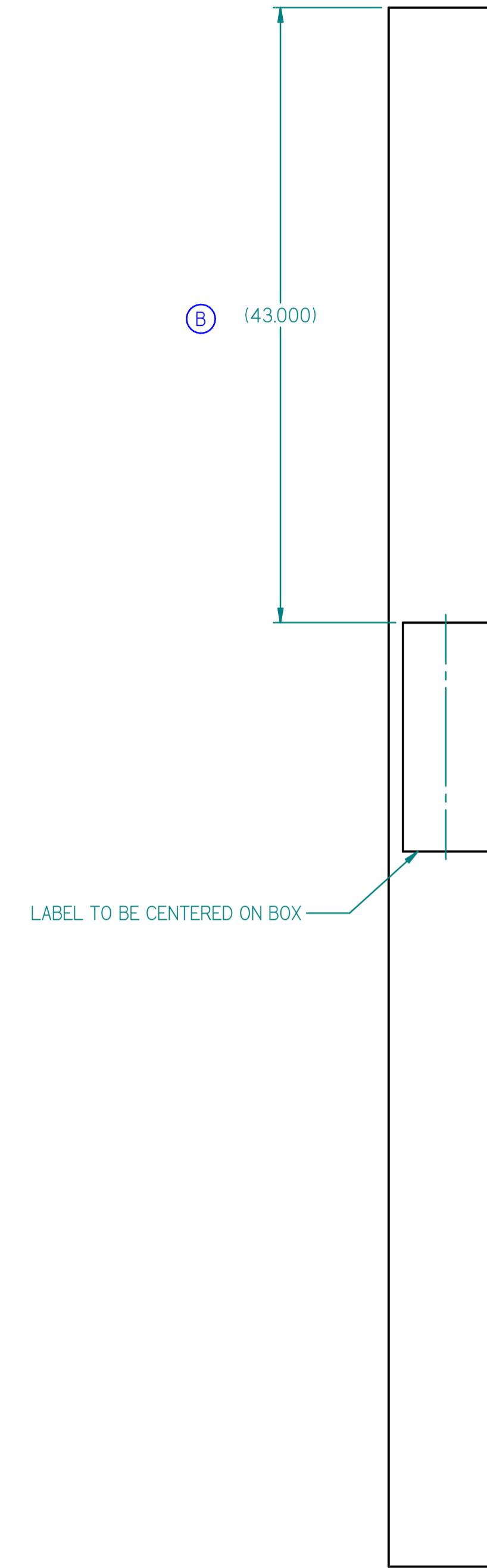
# SQUARE STRUCTURAL PORCH POST KIT

REVISION HISTORY			
REV	RELEASE / DESCRIPTION	DATE / BY	ENGINEER
A	ERT273 - INITIAL RELEASE	08-16-13	B. SINGER
B	TIN7289 - UPDATE PART NUMBERS, ADD MENARDS PART NUMBER, AND MOVED LABEL LOCATION ON BOX	08-30-13	B.SINGER
---	---	XX-XX-XX -, -----	-, -----



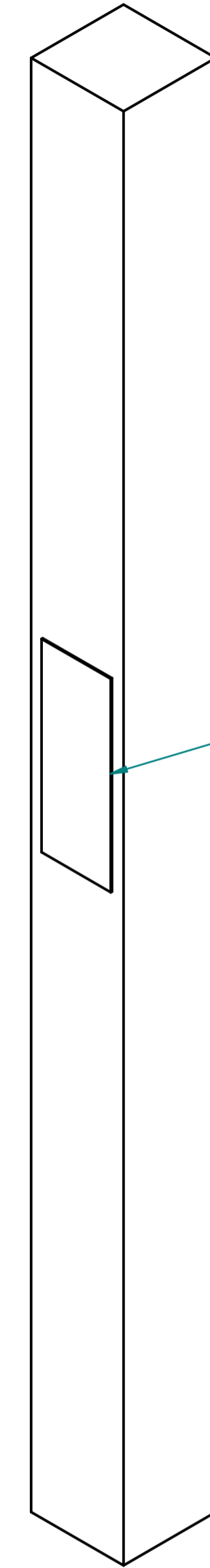
1:8

ITEM NUMBER		1		2			
PART NUMBER	MENARDS P/N	POST PART NUMBER	QTY	BASE TRIM PART NUMBER	QTY	HARDWARE KIT	QTY
PPSQKIT6X108S	112-1699	PPSQ6X108S	1	PPSQBASE6S	1	PPCK450SQ	1



ⓑ (43.000)

LABEL TO BE CENTERED ON BOX



APPLY COLOR ADHESIVE LABEL  
SEE NOTE 7

112-1699 - BOX WITH LABEL LOCATION

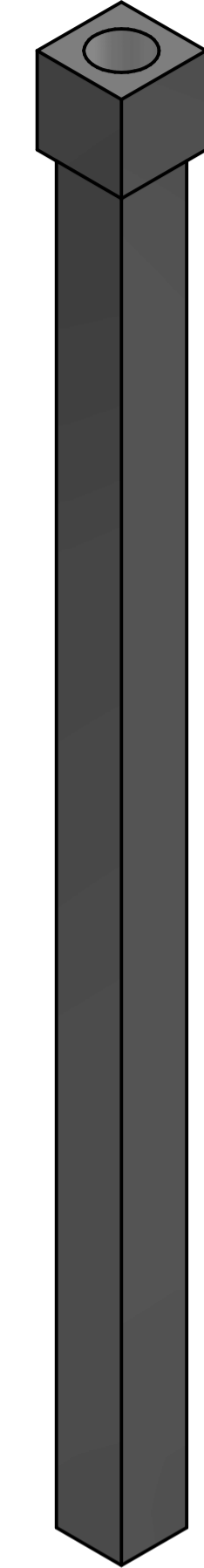
- NOTES:
- MATERIAL: CLOSED CELL POLYURETHANE PER MS0072
  - PARTS TO BE PRIMED WITH SHERWIN-WILLIAMS PRIMER E60NP00101-V03 OR EQUIVALENT
  - RED DASHED LINES INDICATE SURFACES WHERE PRIMER IS REQUIRED
  - REFERENCE MATH DATA FOR ALL UNDIMENSIONED FEATURES
  - PARTS TO HAVE ROUGH SAWN CEDAR WOODGRAIN MOLDED IN SURFACES
  - INDICATES WOODGRAIN DIRECTION
  - PACKAGING INFORMATION:
    - 112-1699 - KIT CONTENTS TO BE PACKAGED IN PLAIN WHITE CORUGATE WITH 4 COLOR ADHESIVE LABEL (APPROX. 6"X16") APPLIED
    - PPSQKIT6X108S - KIT CONTENTS TO BE PACKAGED IN PLAIN BROWN CORUGATE

UNLESS OTHERWISE SPECIFIED DIMENSIONS ARE IN INCHES	THERMA-TRU BOARDS		FYRON	
	DRAWING TITLE: SQUARE WOODGRAIN STRUCTURAL PORCH POST			
DECIMAL XX = ± .03 .XXX = ± .015	DRAWN BY: B. SINGER	DATE: 08-16-13	<b>CONFIDENTIAL DOCUMENT</b> THIS DOCUMENT IS THE PROPERTY OF THERMA-TRU CORPORATION AND IS NOT TO BE COPIED AND/OR DISCLOSED TO OTHERS WITHOUT PRIOR WRITTEN CONSENT.	
FRACTIONAL ± 1/64	CHECKED BY: B. SINGER	DATE: 08-16-13	SCALE: AS SHOWN	SHEET: 1 of 3
ANGULAR ± 1°	APPROVED BY: B. BRYNER	DATE: 08-22-13	DRAWING NO.: D3307	REV: B

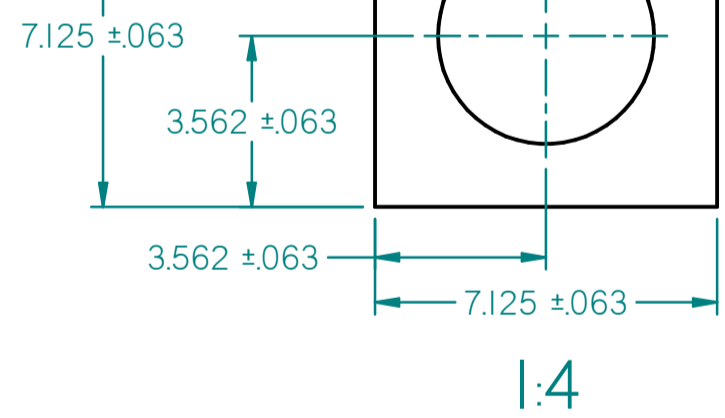
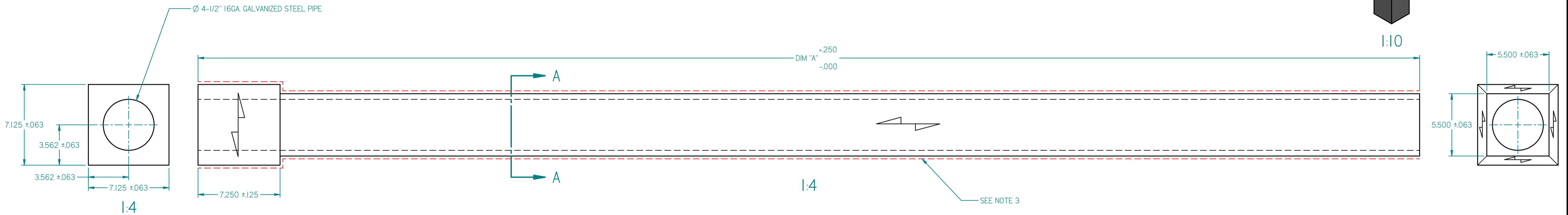
ORIGINAL

# SQUARE STRUCTURAL PORCH POST

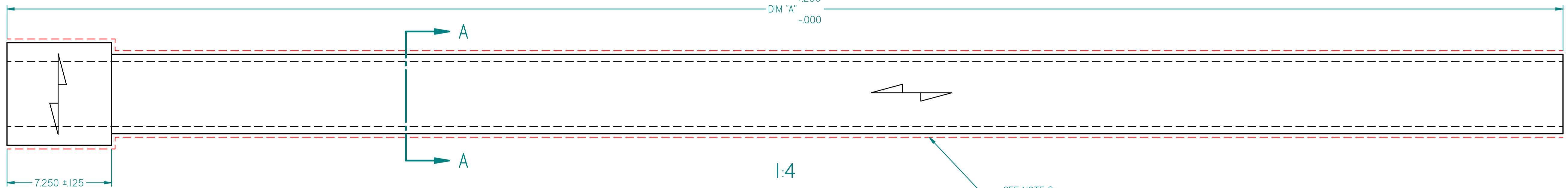
REVISION HISTORY			
REV	RELEASE / DESCRIPTION	DATE / BY	ENGINEER
A	ERT273 - INITIAL RELEASE	08-16-13	B. SINGER
B	TIN7289 - UPDATE PART NUMBERS, ADD MENARDS PART NUMBER, AND MOVED LABEL LOCATION ON BOX	08-30-13	B.SINGER
---	---	XX-XX-XX	---



1:10

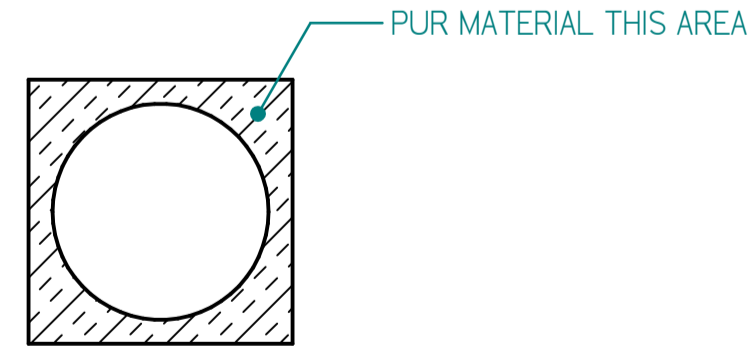


1:4



1:4

SEE NOTE 3



SECTION A-A  
1:4

PART #	DESCRIPTION	DIM 'A'
PPSQ6X108S	6" SQUARE PORCH POST, STAINABLE	108.000

- NOTES:
- MATERIAL: CLOSED CELL POLYURETHANE PER MS0072
  - PARTS TO BE PRIMED WITH SHERWIN-WILLIAMS PRIMER E60NP00101-V03 OR EQUIVALENT
  - RED DASHED LINES INDICATE SURFACES WHERE PRIMER IS REQUIRED
  - REFERENCE MATH DATA FOR ALL UNDIMENSIONED FEATURES
  - PARTS TO HAVE ROUGH SAWN CEDAR WOODGRAIN MOLDED IN SURFACES
  - INDICATES WOODGRAIN DIRECTION
  - PACKAGING INFORMATION:
    - 112-1699 - KIT CONTENTS TO BE PACKAGED IN PLAIN WHITE CORUGATE WITH 4 COLOR ADHESIVE LABEL (APPROX. 6"X16") APPLIED
    - PPSQKIT6X108S - KIT CONTENTS TO BE PACKAGED IN PLAIN BROWN CORUGATE

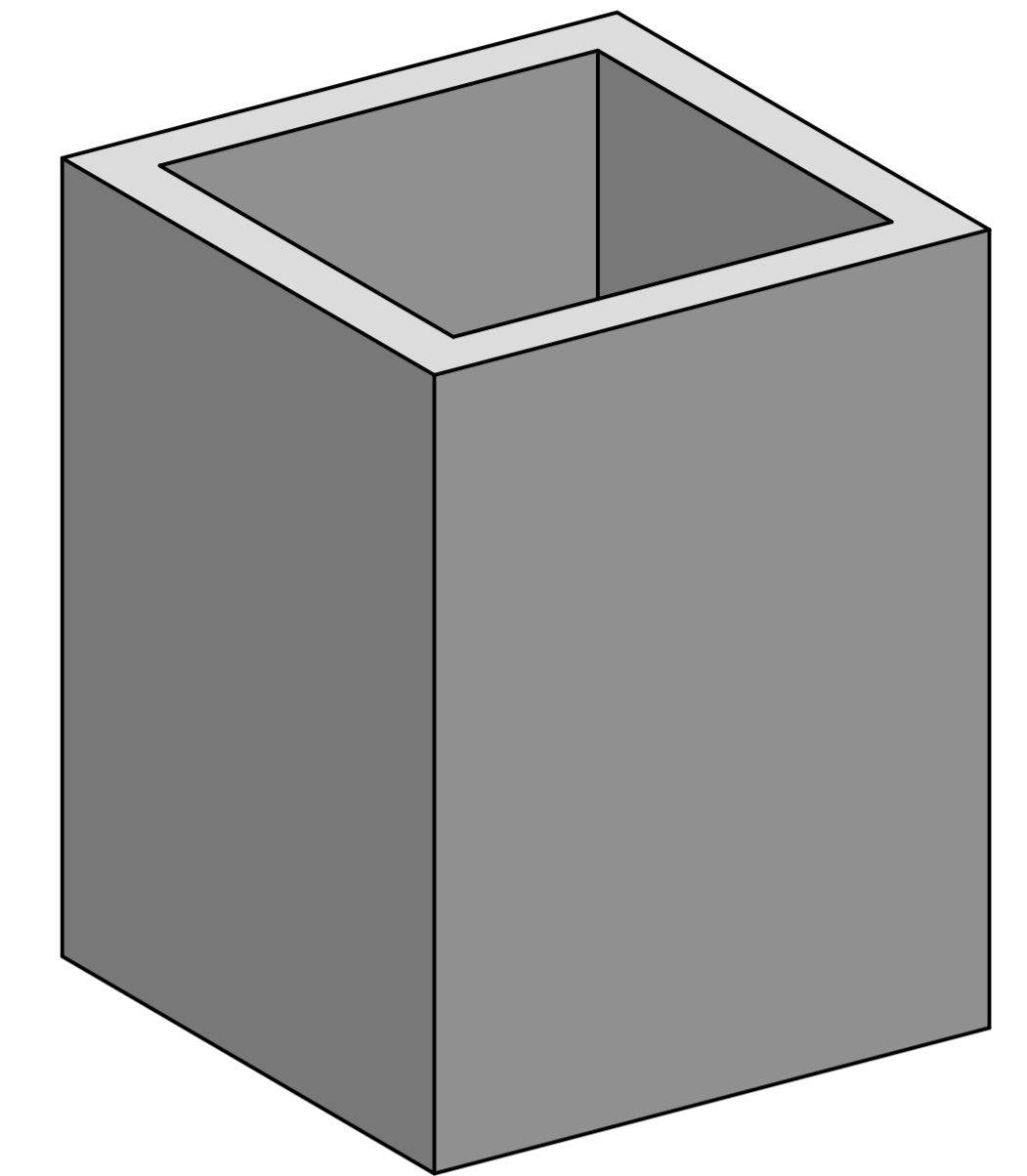
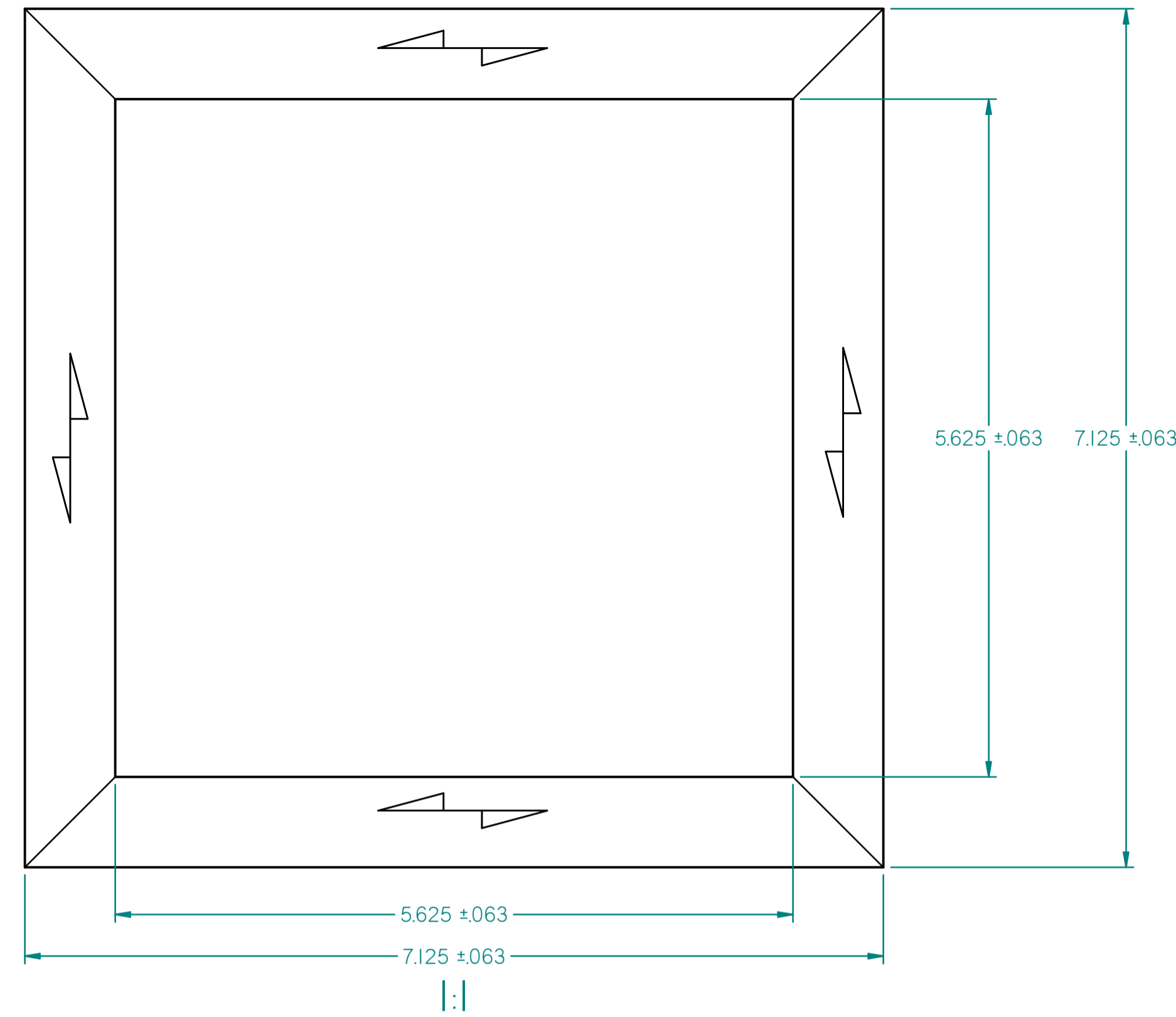
UNLESS OTHERWISE SPECIFIED DIMENSIONS ARE IN INCHES		THERMA-TRU BOARDS BYRON	
DRAWING TITLE: SQUARE WOODGRAIN STRUCTURAL PORCH POST			
DRAWN BY: B. SINGER	DATE: 08-16-13	<b>CONFIDENTIAL DOCUMENT</b> THIS DOCUMENT IS THE PROPERTY OF THERMA-TRU CORPORATION AND IS NOT TO BE COPIED AND/OR DISCLOSED TO OTHERS WITHOUT PRIOR WRITTEN CONSENT.	
CHECKED BY: B. SINGER	DATE: 08-16-13		
APPROVED BY: B. BRYNER	DATE: 08-22-13		
SCALE: AS SHOWN	SHEET: 2 of 3	DRAWING NO.: D3307	REV: B

ORIGINAL

# PPSQBASE6S - BASE TRIM FOR SQUARE PORCH POST, STAINABLE

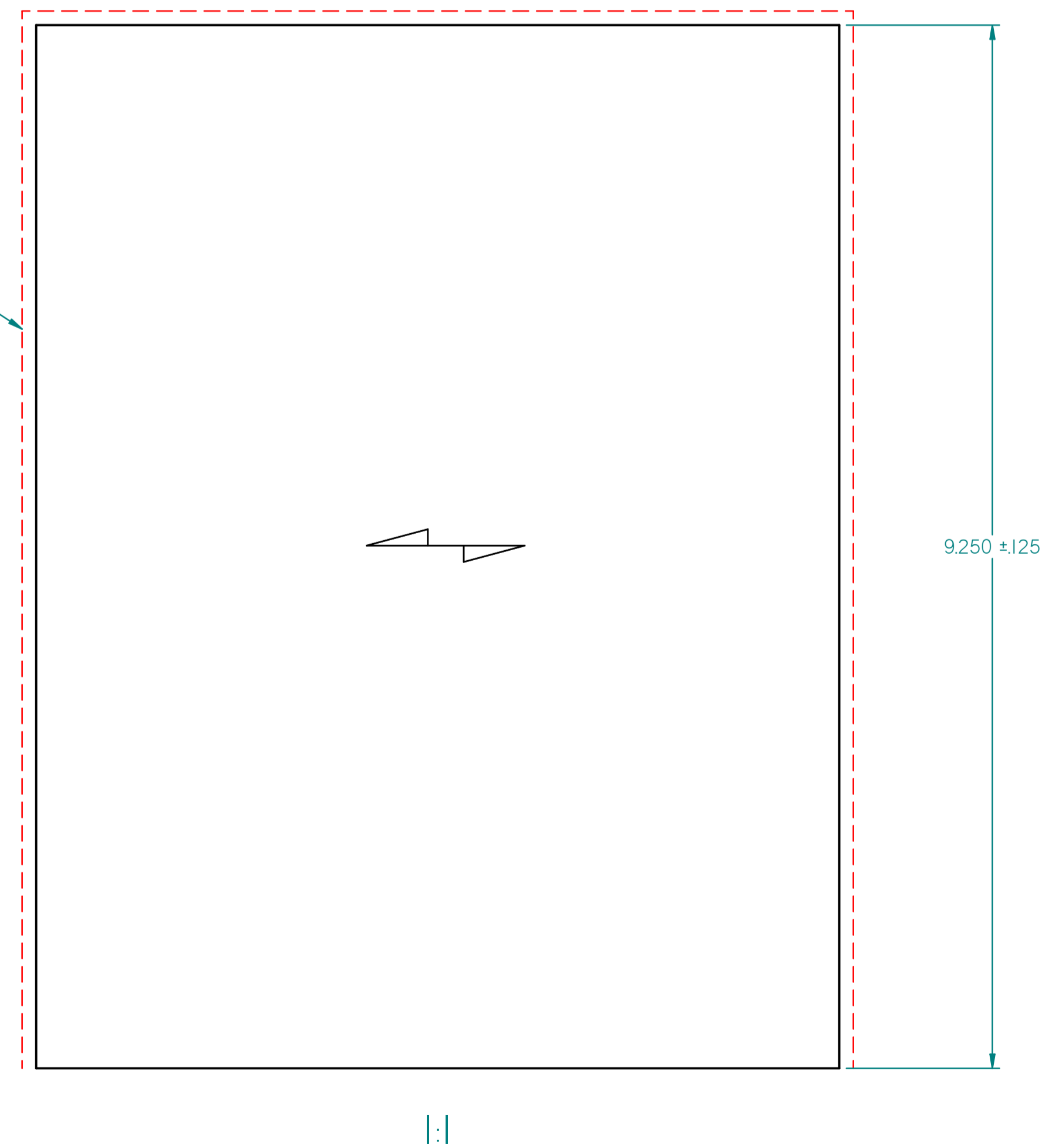
ⓑ

REVISION HISTORY			
REV	RELEASE / DESCRIPTION	DATE / BY	ENGINEER
A	ER7273 - INITIAL RELEASE	08-16-13	B. SINGER
B	TN7289 - UPDATE PART NUMBERS, ADD MENARDS PART NUMBER, AND MOVED LABEL LOCATION ON BOX	08-30-13	B.SINGER
---	---	XX-XX-XX - - - - -	- - - - -



1:2

SEE NOTE 3



## NOTES:

- MATERIAL: CLOSED CELL POLYURETHANE PER MS0072
- PARTS TO BE PRIMED WITH SHERWIN-WILLIAMS PRIMER E60NP00101-V03 OR EQUIVALENT
- RED DASHED LINES INDICATE SURFACES WHERE PRIMER IS REQUIRED
- REFERENCE MATH DATA FOR ALL UNDIMENSIONED FEATURES
- PARTS TO HAVE ROUGH SAWN CEDAR WOODGRAIN MOLDED IN SURFACES
- INDICATES WOODGRAIN DIRECTION
- PACKAGING INFORMATION:
  - 112-1699 - KIT CONTENTS TO BE PACKAGED IN PLAIN WHITE CORUGATE WITH 4 COLOR ADHESIVE LABEL (APPROX. 6"X16") APPLIED
  - PPSQKIT6X108S - KIT CONTENTS TO BE PACKAGED IN PLAIN BROWN CORUGATE

UNLESS OTHERWISE SPECIFIED DIMENSIONS ARE IN INCHES		THERMA-TRU BOARDS BYRON		DRAWING TITLE: SQUARE WOODGRAIN STRUCTURAL PORCH POST	
DECIMAL XX = ± .03 .XXX = ± .015	DRAWN BY: B. SINGER	DATE: 08-16-13	<b>CONFIDENTIAL DOCUMENT</b> THIS DOCUMENT IS THE PROPERTY OF THERMA-TRU CORPORATION AND IS NOT TO BE COPIED AND/OR DISCLOSED TO OTHERS WITHOUT PRIOR WRITTEN CONSENT.		
FRACTIONAL ± 1/64	CHECKED BY: B. SINGER	DATE: 08-16-13	SCALE: AS SHOWN	SHEET: 3 of 3	DRAWING NO.: D3307
ANGULAR ± 1°	APPROVED BY: B. BRYNER	DATE: 08-22-13	REV: B		

ORIGINAL