

General & Safety Information

- Wear proper personal protective equipment (PPE).
- Operate all tools per manufacturer guidelines.
- Standard woodworking saws and blades can be used for cutting Fypon® polyurethane (PUR) products.
- Fypon PUR parts are NOT load bearing.
- For remodeling applications and alternative facades like stucco, vinyl, etc., please refer to Fypon General Remodeling and Alternate Facade Instructions, which can be found at fypon.com/install.
- For best results, finish and allow to dry prior to installation. Refer to Fypon General Finishing Instructions, which can be found at fypon.com/install.
- All Fypon products must be installed per the following instructions and finished within 90 days of installation to maintain warranty coverage.

Tools / Materials

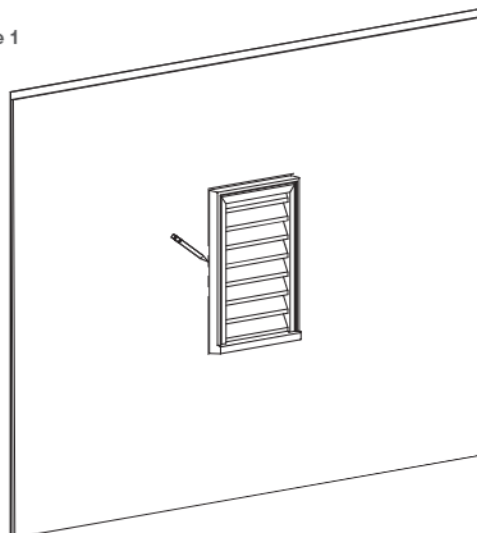
- Pencil
- Tape measure
- Level
- Square (if cutting)
- Hammer or pneumatic nailer
- Nail countersink
- Drill / driver (if using screws)
- Putty knife
- Saw (if cutting hole for functional louver)
- Sandpaper (220-grit recommended)
- Caulk gun
- Exterior-grade polyurethane-compatible sealant and / or filler
- Exterior-grade polyurethane-compatible adhesive (Loctite®PL Premium® recommended)
- Exterior-grade fasteners (trim head screws recommended)

Installation Instructions

1) Mark installation area.

Hold the louver in place and mark the desired location (Figure 1). Pre-drill fastener locations (no more than 16" apart) if needed.

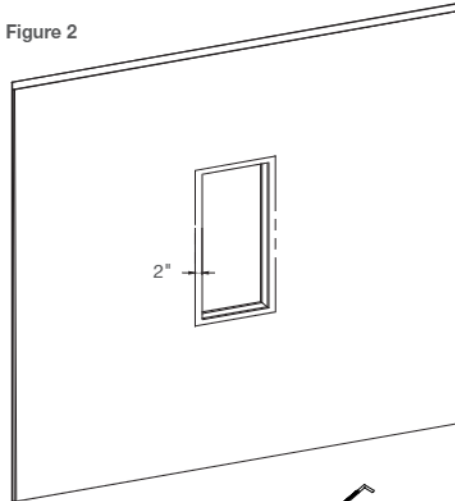
Figure 1



2) Cut opening (functional louvers only).

Mark a line that is 2" inside the outline of the louver made in Step 1. Check to make sure the cut will not pass through studs or electrical lines. Then cut along the line to form a 2" undersized hole inside the outline of the louver (Figure 2). **DO NOT CUT THROUGH STUDS.**

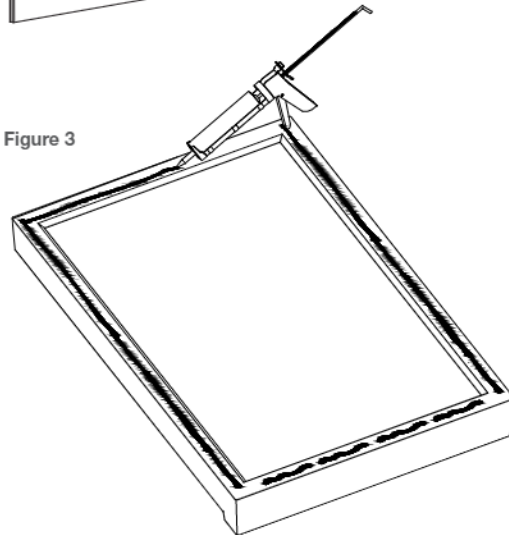
Figure 2



3) Apply adhesive.

Apply a 1/4" bead of adhesive to the mounting surfaces of the part, leaving the bottom open for water to escape (Figure 3).

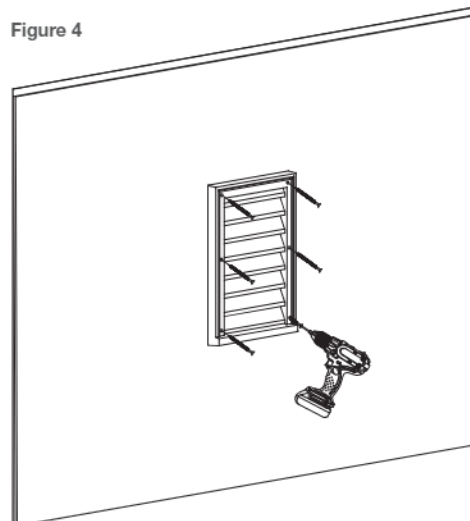
Figure 3



4) Fasten.

Press the part into place and fasten with exterior-grade fasteners (Figure 4), making sure to countersink them below the surface. Fasteners should be no more than 16" apart. Remove any excess adhesive.

Figure 4



5) Fill and sand fastener holes.

Fill fastener holes with filler and sand to match surrounding area, if needed, but be careful not to remove the primer.

6) Touch up or finish.

Refer to Fypon® General Finishing Instructions. If part was finished prior to installation, touch up filled fastener holes with color-matched finish. Caulk around top and sides with a sealant, leaving the bottom open for water to escape.