

CRAFTLINE

Cabinetry

QUALITY • VALUE • STYLE

Wall Cabinet Assembly Instructions

Wall Blind Corners	Page 1
Wall Bridge Cabinet.....	Page 2
Wall Diagonal Corner WA	Page 3
Wall Double Door (30in & 36in Height)	Page 4
Wall Single Door (30in & 36in Height)	Page 5

ASSEMBLY INSTRUCTIONS

Getting started:

prepare a protection layer, a screwdriver

STEP 1: Joint side panel with back panel

STEP 2: Joint top panel with side panel

STEP 3: Joint bottom panel with side panel

STEP 4: Attach frame on

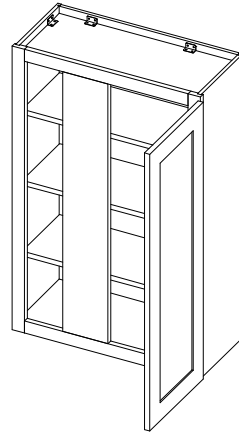
STEP 5: Put on the adjustable shelves

STEP 6: Fix door onto the frame and adjust the cover-space

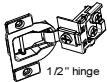




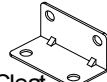

WBC3630, WBC3636

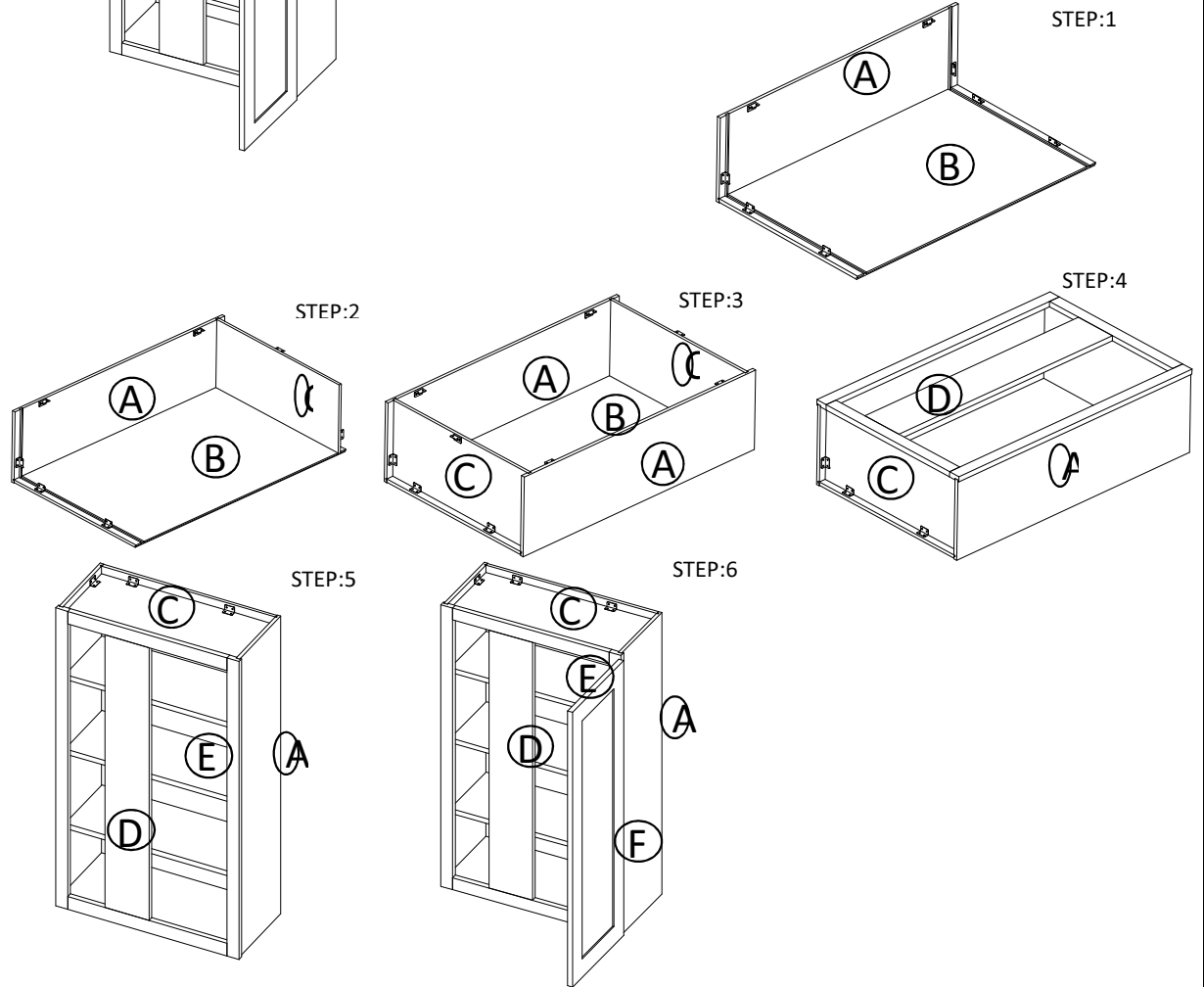
WBC3930, WBC3936

WBC4230, WBC4236



PARTS LIST		
NO.	Description	QTY
A	SIDE PANEL	2
B	BACK PANEL	1
C	TOP&BOTTOM PANEL	2
D	FACE FRAME	1
E	ADJUSTABLE SHELF	2
F	CABINETS DOOR	1

7	1/2" HINGE	2	 1/2" hinge
6	3/4" ROUND HEAD SCREW	2	 3/4" round head screw
5	BUMPER	2	 Bumper
4	SHELF CLIP	8	 Shelf clip
3	9/16" ROUND HEAD SCREW	56	 9/16" round head screw
2	CLEAT	14	 Cleat
1	1" FLAT HEAD SCREW FOR CARCASS	6	 1" flat head screw
NO.	Description	QTY	PICTURE
HARDWARE LIST			



W3012,W3612,W3015,W3615,W361524,W3018,W3618,W361824

ASSEMBLY INSTUCTIONS

Getting started:

prepare a protection layer, a screwdriver

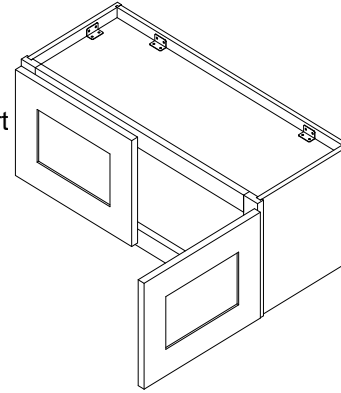
STEP 1: Joint side panel with back panel

STEP 2: Joint side panel with back panel and attaching top panel for giving support

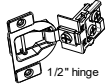



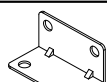

STEP 3: Joint back panel with side panel and back panel

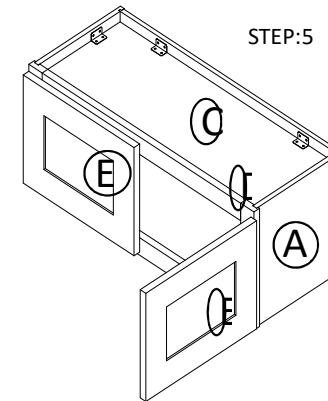
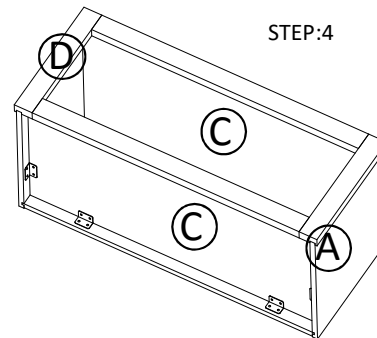
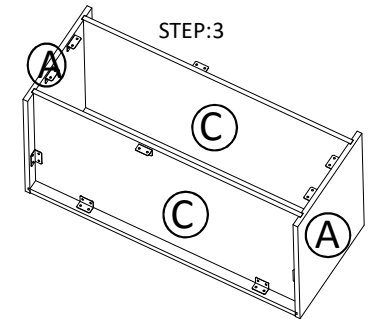
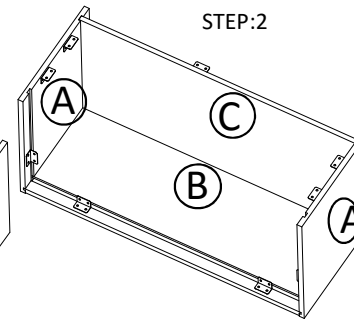
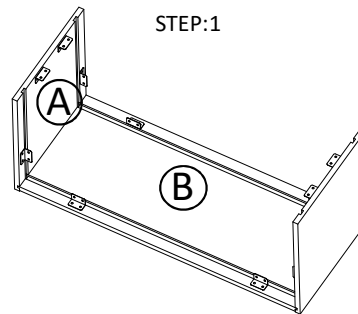
STEP 4: Attach frame on

STEP 5: Fix door onto the frame and adjust the cover-space



PARTS LIST		
NO.	Description	QTY
A	SIDE PANEL	2
B	BACK PANEL	1
C	TOP&BOTTOM PANEL	2
D	FACE FRAME	1
E	CABINETS DOOR	2

6	1/2" HINGE	4	 1/2" hinge
5	3/4" ROUND HEAD SCREW	4	 3/4" round head screw
4	BUMPER	4	 Bumper
3	9/16"ROUND HEAD SCREW	56	 9/16" round head screw
2	CLEAT	14	 Cleat
1	1"FLAT HEAD SCREW FOR CARCASS	8	 1" flat head screw
NO.	Description	QTY	PICTURE
HARDWARE LIST			



ASSEMBLY INSTRUCTIONS

WA2430, WA2730
WA2436, WA2736

Getting started:

prepare a protection layer, a screwdriver

STEP 1: Joint side panel with front face frame

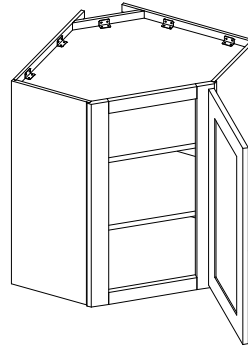
STEP 2: Attach top panel with front face frame and side panel

STEP 3: Attach top panel with front face frame and side panel

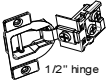







STEP 4: Attach back panel on side panel

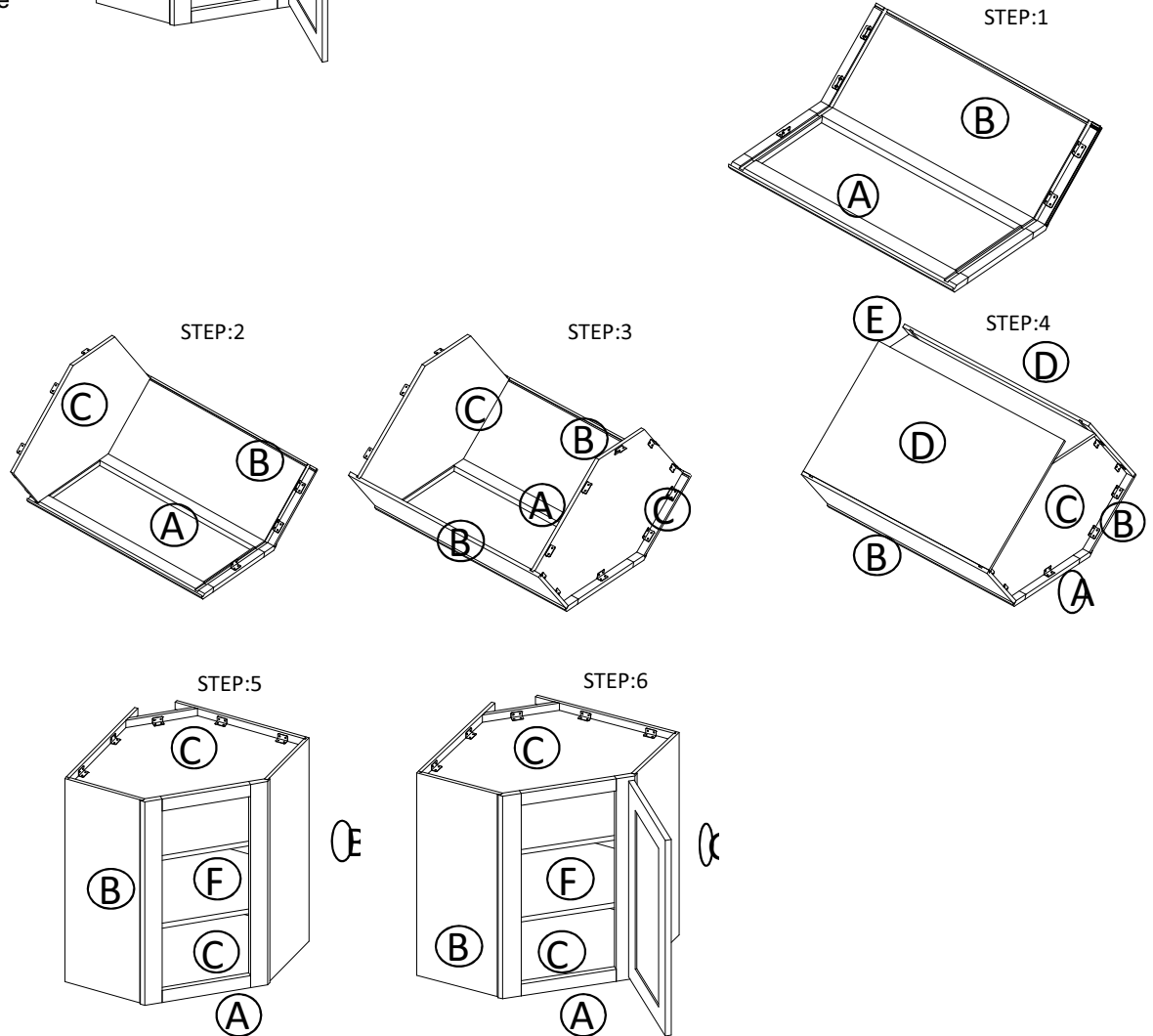
STEP 5: Insert back panel through groove, then screw up

STEP 6: Hing door on to front face frame and adjust the cover-space



PARTS LIST		
NO.	Description	QTY
A	FACE FRAME	1
B	SIDE PANEL	2
C	TOP&BOTTOM PANEL	2
D	BACK PANEL	2
E	BACK PANEL	1
F	ADJUSTABLE SHELF	2
G	CABINETS DOOR	1

8	1/2" HINGE	2	 1/2" hinge
7	3/4" ROUND HEAD SCREW	2	 3/4" round head screw
6	BUMPER	2	 Bumper
5	SHELF CLIP	10	 Shelf clip
4	9/16" ROUND HEAD SCREW	92	 9/16" round head screw
3	CLEAT	22	 Cleat
2	1" FLAT HEAD SCREW FOR CARCASS	6	 1" flat head screw
1	135 DEGREE ANGLE	2	 135° angle
NO.	Description	QTY	PICTURE
HARDWARE LIST			



W2430, W2730, W3030, W3330, W3630
 W2436, W2736, W3036, W3336, W3636

ASSEMBLY INSTRUCTIONS

Getting started:

prepare a protection layer, a screwdriver

STEP 1: Joint side panel with back panel

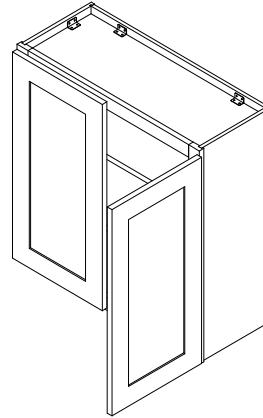
STEP 2: Joint top panel with side panel

STEP 3: Joint bottom panel with side panel

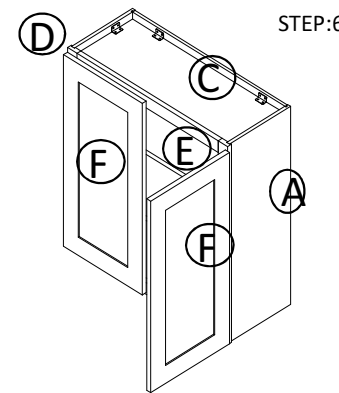
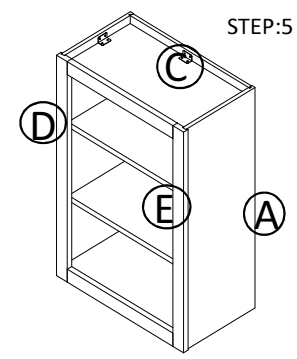
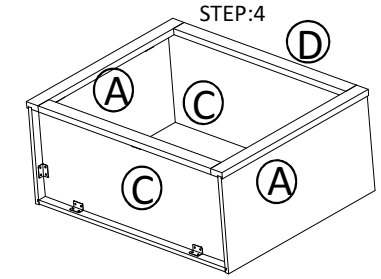
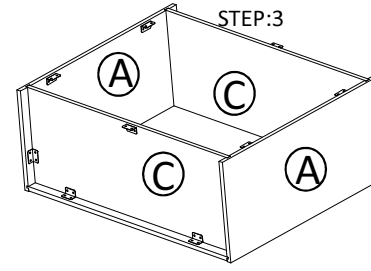
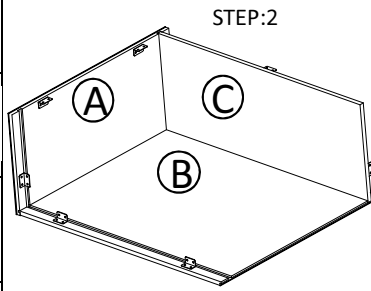
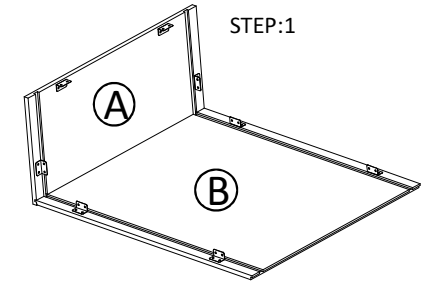
STEP 4: Attach frame on

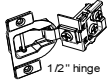




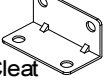

STEP 5: Put on the adjustable shelves

STEP 6: Fix door onto the frame and adjust the cover-space



PARTS LIST		
NO.	Description	QTY
A	SIDE PANEL	2
B	BACK PANEL	1
C	TOP&BOTTOM PANEL	2
D	FACE FRAME	1
E	ADJUSTABLE SHELF	2 OR 3
F	CABINETS DOOR	2



7	1/2" HINGE	4	
6	3/4" ROUND HEAD SCREW	4	
5	BUMPER	4	
4	SHELF CLIP	8	
3	9/16" ROUND HEAD SCREW	56	
2	CLEAT	14	
1	1" FLAT HEAD SCREW FOR CARCASS	6	
NO.	Description	QTY	PICTURE

HARDWARE LIST

W0930,W1230,W1530,W1830,W2130
W0942,W1242,W1542,W1842,W2142

ASSEMBLY INSTRUCTIONS

Getting started:

prepare a protection layer, a screwdriver

STEP 1: Joint side panel with back panel

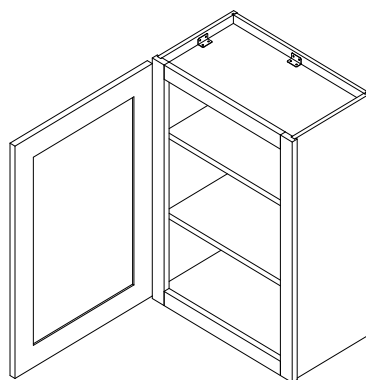
STEP 2: Joint top panel with side panel

STEP 3: Joint bottom panel with side panel

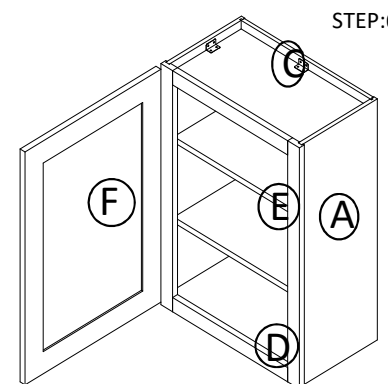
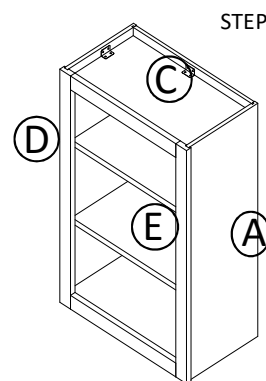
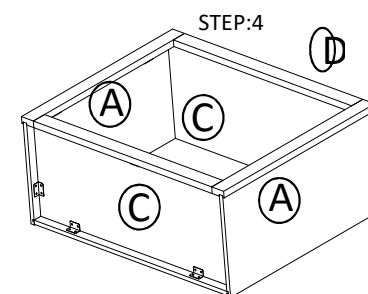
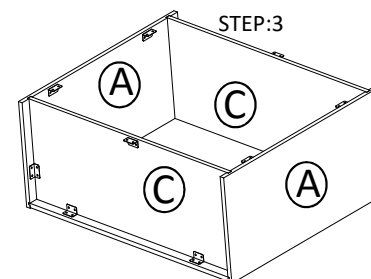
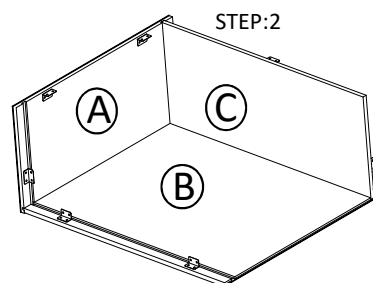
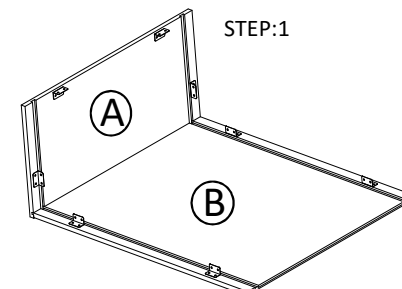
STEP 4: Attach frame on

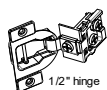




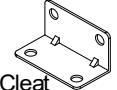

STEP 5: Put on the adjustable shelves

STEP 6: Fix door onto the frame and adjust the cover-space



PARTS LIST		
NO.	Description	QTY
A	SIDE PANEL	2
B	BACK PANEL	1
C	TOP&BOTTOM PANEL	2
D	FACE FRAME	1
E	ADJUSTABLE SHELF	2 OR 3
F	CABINETS DOOR	1



7	1/2" HINGE	2	
6	3/4" ROUND HEAD SCREW	2	
5	BUMPER	2	
4	SHELF CLIP	8	
3	9/16" ROUND HEAD SCREW	40	
2	CLEAT	10	
1	1" FLAT HEAD SCREW FOR CARCASS	4	
NO.	Description	QTY	PICTURE

HARDWARE LIST