

General Spec Sheet:

21" x 27" (533mm x 686mm) Oval Gable Vent

The Oval Gable Vent is a functional and decorative vent designed to provide unforced free airflow ventilation of attics or similar spaces when used in conjunction with proper soffit ventilation practices. Local ventilation codes apply when installing this unit.

FEATURES:

- Easy to install on all types of exteriors
- Single unit body construction of vent housing
- J-Channel eliminated
- Double baffles for increased weather resistance
- Fully screened for complete insect protection
- Finish trim ring adjusts for a range of siding thickness

SPECIFICATIONS:

Material: Vent UV stabilized copolymer; colour moulded in; .100" (2.54mm) nominal wall
 Ring UV stabilized copolymer; colour moulded in; .100" (2.54mm) nominal wall
 Baffle Black PP; .025" (.635mm) wall
 Screen Fiberglass; 18" x 16" (457mm x 406mm) mesh
 Paintable/Stainable HIPS available

Fabrication: Single piece moulded unit
 Baffle and screen sealed to interior side of unit
 Trim ring single piece moulded unit

Attachment: Screw or nail directly to any surface

Packaging: 1 assembly per box

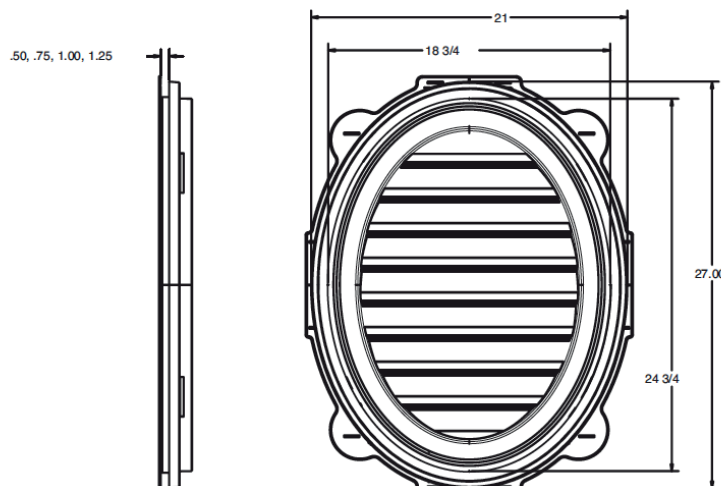
Vent Free Area: 57 sq. in. (36774 sq. mm)

Rough Opening: 8" x 8"

U.S. Patent No: 4,875,318; 5,349,799

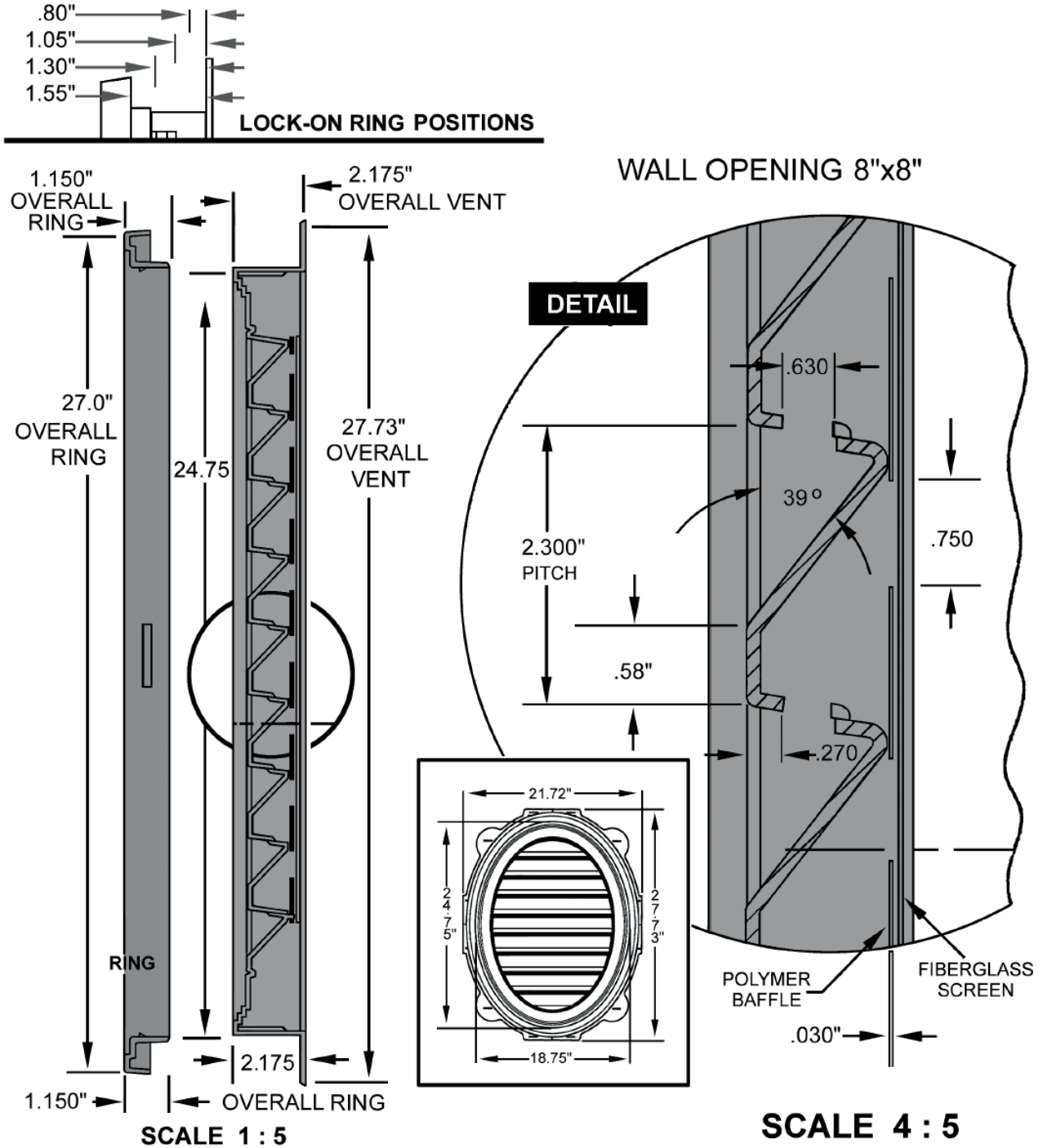
Can. Patent No: 1,280,024

Dimensions:



21" x 27" (533mm x 686mm) Oval Gable Vent

Net Free Area: 57 sq. in. (36774 sq. mm)



21" x 27" (533mm x 686mm) Oval Gable Vent
Net Free Area: 57 sq. in. (36774 sq. mm)

Note: Complete installation instructions are included with each product.



OVAL INSTALLED



In most cases, the rough opening can be cut directly into the sheathing. However, if a non structural sheathing is used, such as an insulating foamboard, it is recommended that the opening be framed in.

EXAMPLE OF ROUGH OPENING



* Rough opening refers to the minimum amount of unobstructed wall opening needed to maintain the Net Free Area.

