

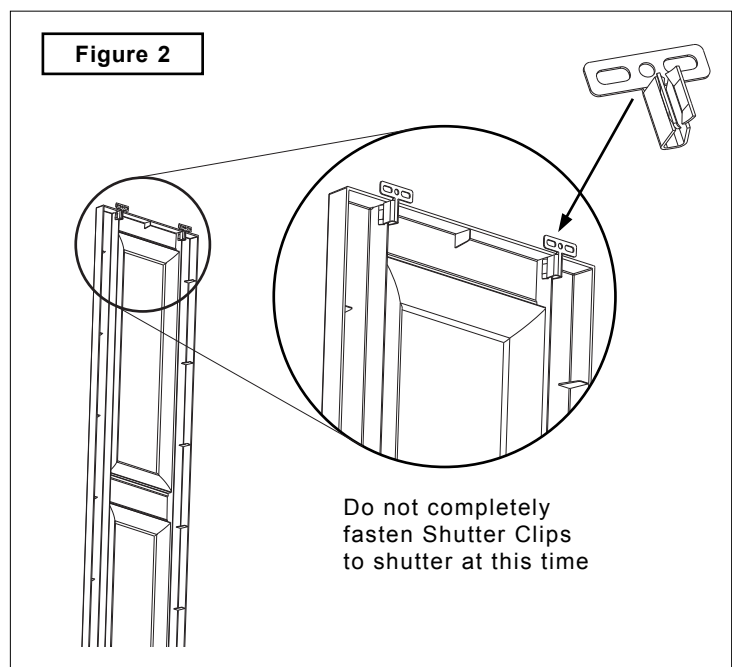
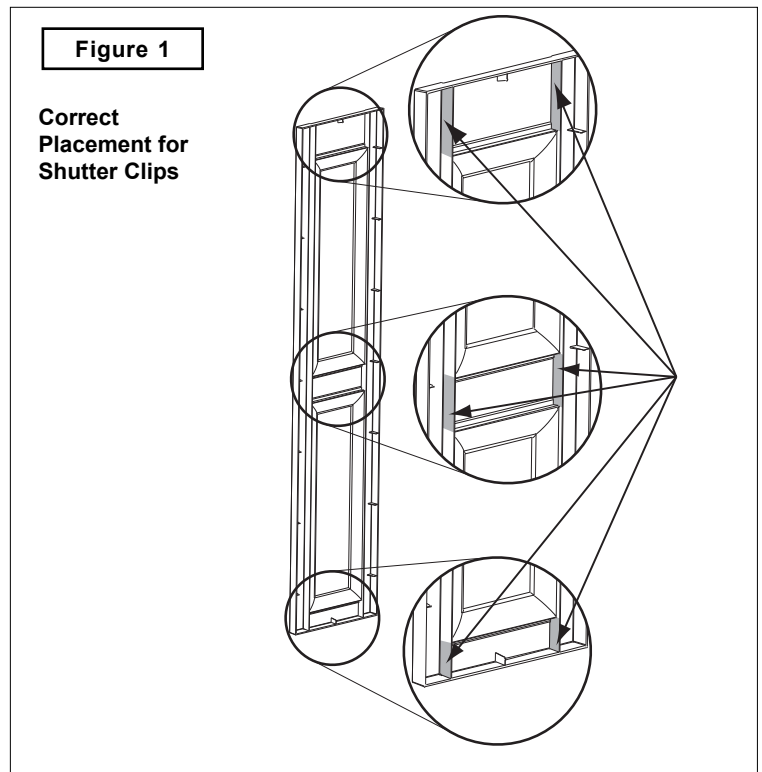
Shutter Clip

REQUIRED FOR INSTALLATION:

Screwdriver, electric drill, level and pencil. (4) shutter clips for shutters up to 43" and (6) shutter clips for shutters 44" or greater. Also needed are (9) No. 10 or equivalent (M5 metric) screws. Other fasteners may be needed for specific surfaces (not included).

STEP 1

Push a shutter clip onto the ribs at each corner of the shutter. The mounting tab should extend beyond the shutter. See Figure 2. Shutter clips will be removed later, so **DO NOT** fasten shutter clips completely onto the shutter at this time.



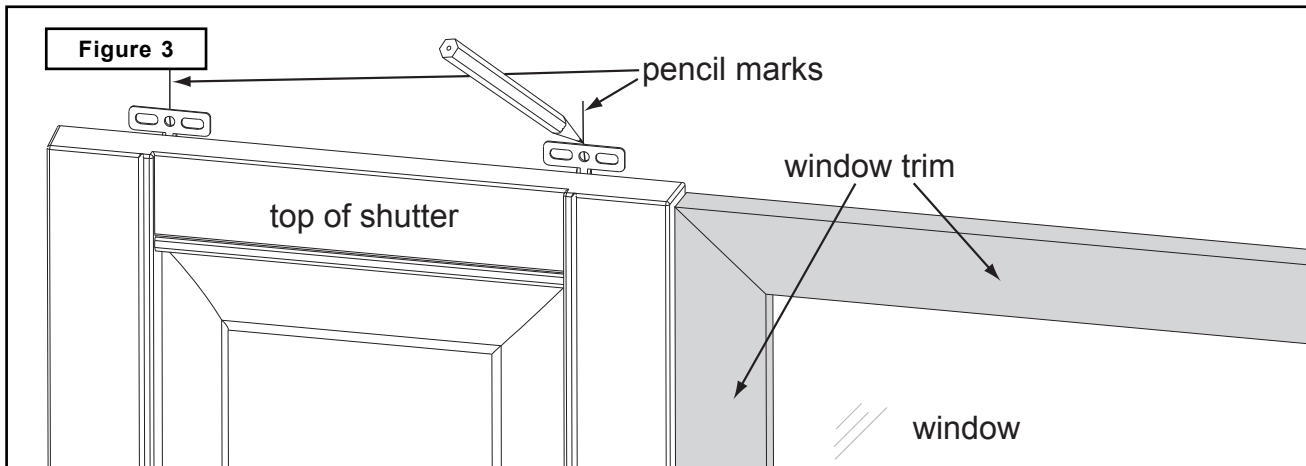
Shutter Clip, Continued

STEP 2

Hold the shutter where you want it to be attached on the mounting surface. Mark the center hole of each shutter clip in each clip. Draw lines vertically between top and bottom marks. After completing this step, remove shutter clips from shutter. See Figure 3.

STEP 3

Place the front of the shutter against the mounting surface and align it next to where it will be installed. On the vertical lines drawn in Step 2, sketch marks corresponding to the mounting areas of the shutter. See Figure 3.



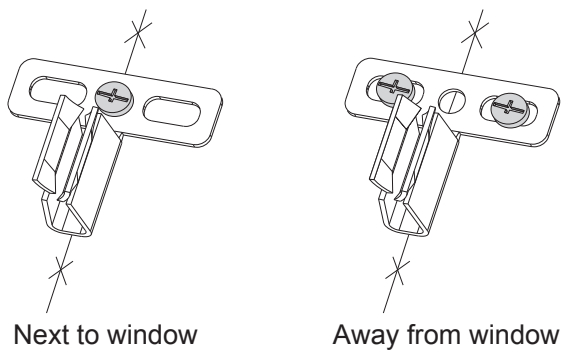
STEP 4

Read complete instructions for Step 4 and examine Figure 4 before installing shutter clips to mounting surface. Fasten shutter clips centered on the vertical line and between the sketch marks drawn in Step 3. Use one screw next to the window, and two screws in the shutter clips away from window. See Figure 4. shutter clips should be free to move with changes in temperature. Mounting bracket on shutter clip should be placed in upright position. Special mounting procedures or techniques may be required on different mounting surfaces.

STEP 5

Once the shutter clips are positioned and secured to the mounting surface, attach shutter by placing shutter over shutter clips and pressing the shutter ribs on to each shutter clip. Press shutter firmly against mounting surface, making sure all six (6) clips are engaged.

Figure 4



Fasten with bracket up

Optional

