

General Spec Sheet:

12" x 12" (305mm x 305mm) Square Vent

The 12" x 12" (305mm x 305mm) Square Vent is a functional and decorative vent designed to provide unforced free airflow ventilation of attics or similar spaces when used in conjunction with proper soffit ventilation practices. Local ventilation codes apply when installing this unit.

FEATURES:

- Easy to install on all types of exteriors
- Single unit body construction of vent housing
- J-Channel eliminated
- Double baffles for increased weather resistance
- Fully screened for complete insect protection
- Finish trim ring adjusts for a range of siding thickness

SPECIFICATIONS:

Material:	Vent	UV stabilized copolymer; colour moulded in; .100" (2.54mm) nominal wall
	Ring	UV stabilized copolymer; colour moulded in; .100" (2.54mm) nominal wall
	Baffle	Black PP; .025" (.635mm) wall
	Screen	Fiberglass; 18" x 16" (457mm x 406mm) mesh
		Paintable/Stainable HIPS available

Fabrication:	Single piece moulded unit
	Baffle and screen sealed to interior side of unit
	Trim ring single piece moulded unit

Attachment: Screw or nail directly to any surface

Packaging: 1 assembly per box

Vent Free Area:

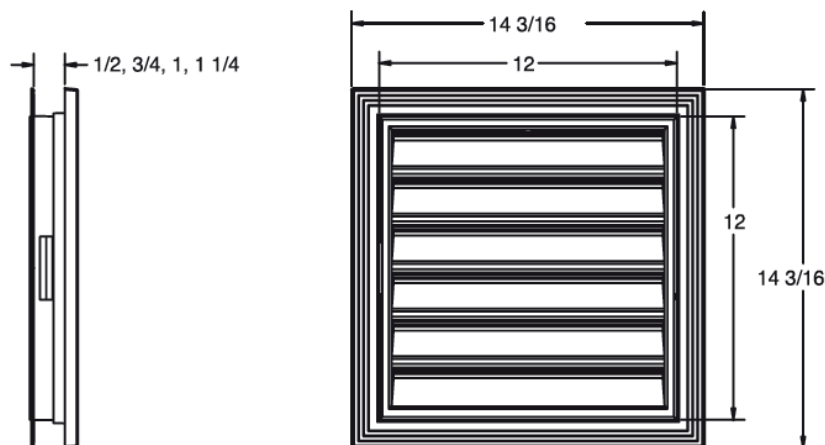
Rough Opening:

U.S. Patent No: 4,875,318; 5,349,799

Can. Patent No: 1,280,024

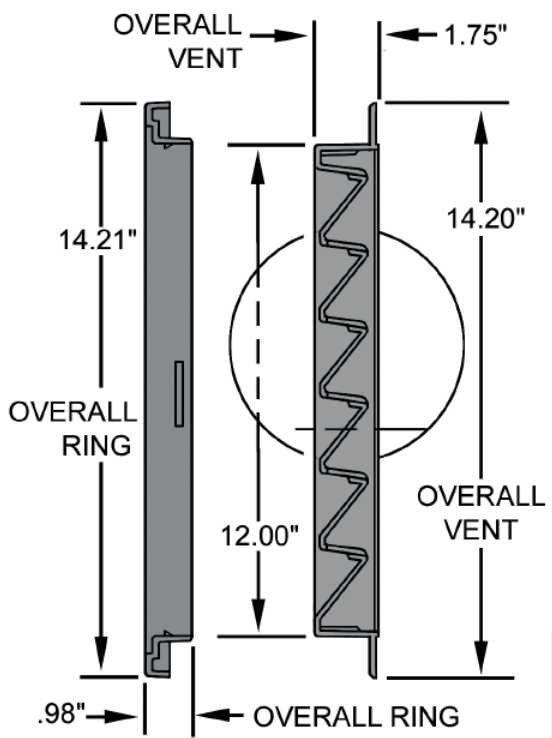
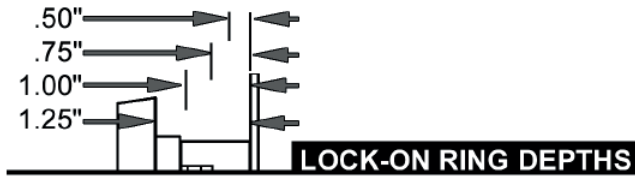
Dimensions:

12 x 12 SQUARE

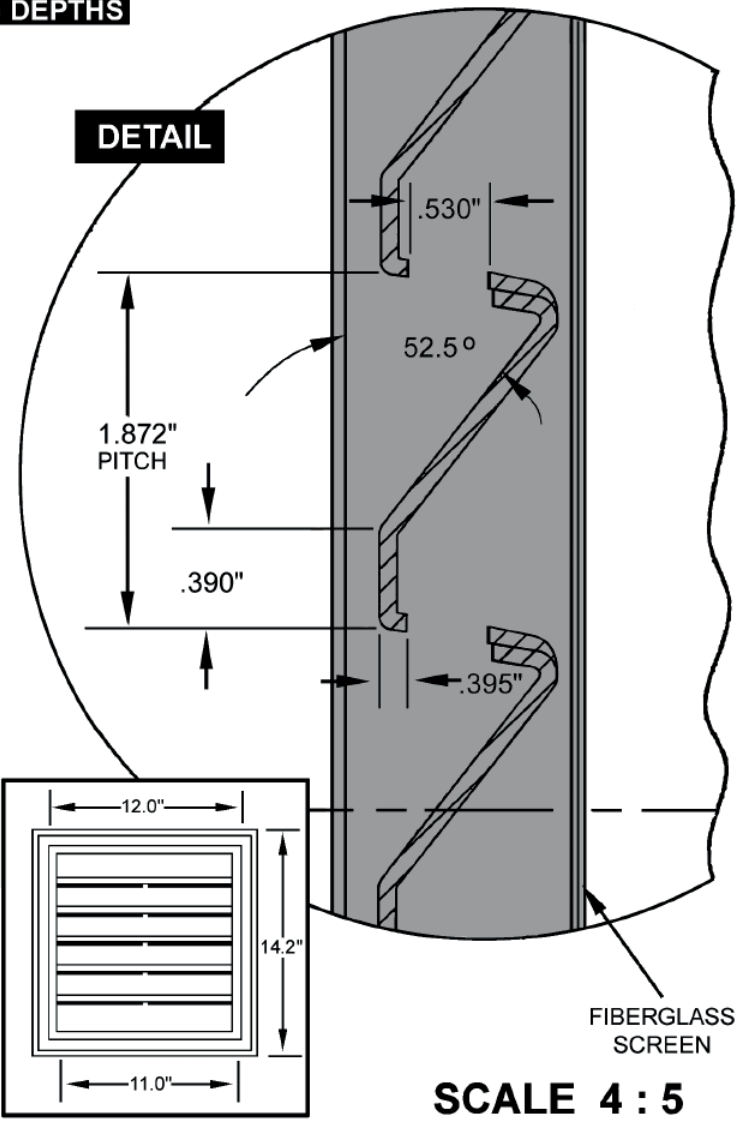


12" x 12" (305mm x 305mm) Vent

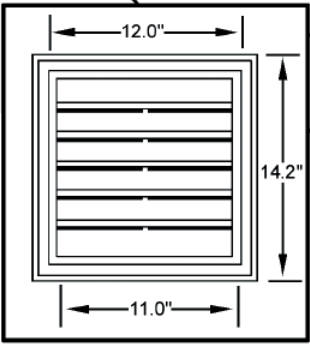
Net Free Area: xx sq. in



SCALE 1 : 5



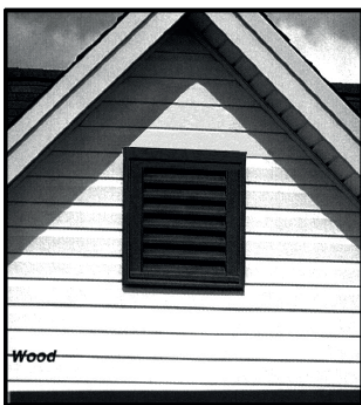
SCALE 4 : 5



12" x 12" (305mm x 305mm) Vent

Net Free Area: xx sq. in

Note: Complete installation instructions are included with each product.

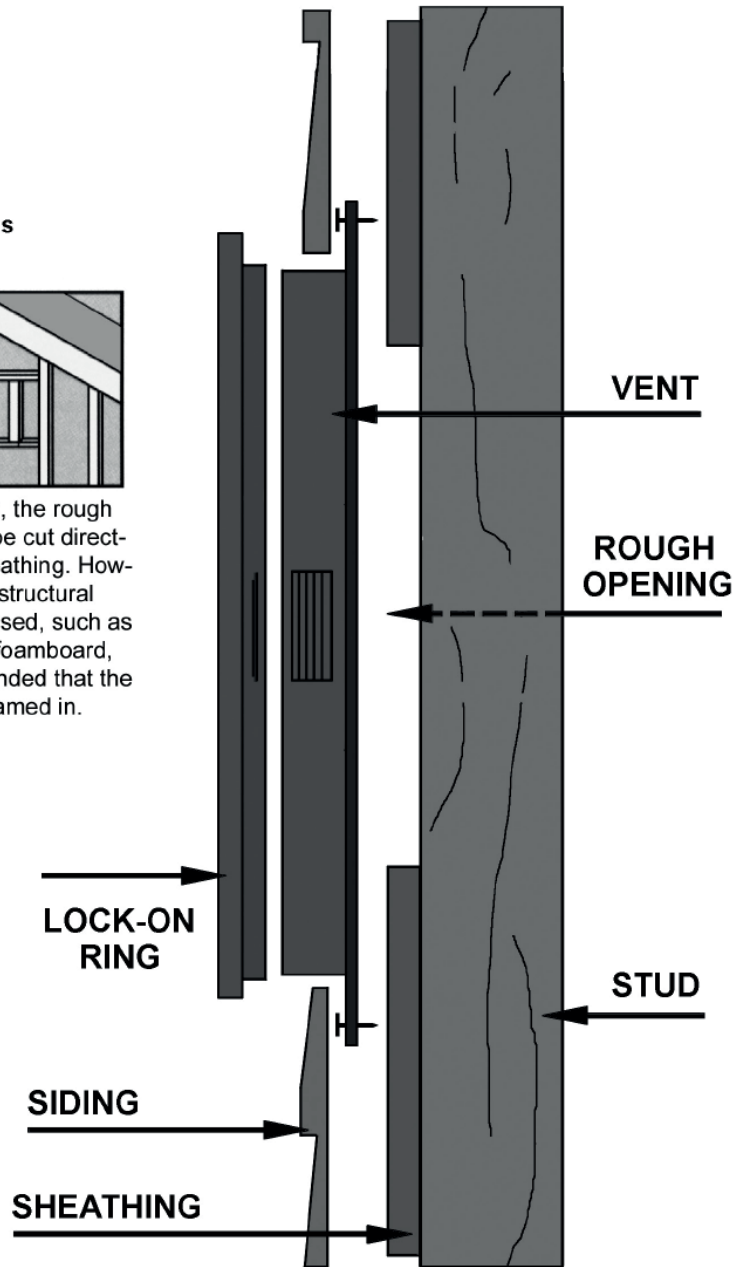


RECTANGLE INSTALLED



In most cases, the rough opening can be cut directly into the sheathing. However, if a non structural sheathing is used, such as an insulating foamboard, it is recommended that the opening be framed in.

EXAMPLE OF ROUGH OPENING



* Rough opening refers to the minimum amount of unobstructed wall opening needed to maintain the Net Free Area.