

STINGER[®]

CN100 CAP NAILER OWNER'S MANUAL

- *Operation*
- *Maintenance*
- *Safety*
- *Warranty*



www.stingerworld.com



PLEASE READ!

This manual contains important information about product safety.

REV 06/15

TABLE OF CONTENTS

• Important Information	1
• Warnings	2
• Tool Specifications	5
• Loading the Tool	6
• Operating the Tool	7
• STINGER CN100 Schematic	9
• STINGER CN100 Parts List	10
• Maintenance and Storage	11
• Warranty	12
• Troubleshooting	13

IMPORTANT INFORMATION

Please take the time to read and understand the information contained in the Owner's Manual included with this product before operating or maintaining the **STINGER CN100** Cap Nailer.

Improper use of this tool could result in serious injury or even death. Most accidents occur because of the failure to observe basic safety rules and precautions. Basic safety precautions are outlined in the "Warnings" section of this manual.

This product is intended for securing synthetic underlayments, roofing felt and housewraps.

WARNINGS



PERSONAL SAFETY ITEMS

- Reading the Owner's Manual prior to using the tool.
- Always wear eye protection that conforms to ANSI requirements (Z87.1) and provides protection against flying particles both from the front and side. Eye protection should be worn by the operator and by others in the work area to protect against flying fasteners and debris that could possibly cause severe eye injury.
- The employer is responsible for enforcing the use of eye protection equipment by the tool operator and all other personnel in the work area.
- To prevent accidental injuries:
 - Handle the tool with care
 - Always assume that the tool contains fasteners
 - Always disconnect the air hose from the **STINGER CN100** when:
 - loading nails and/or caps
 - performing inspection, maintenance or repair
 - clearing a nail or collated cap jam
 - the tool is not in use
 - leaving the work area
 - moving the **STINGER CN100** to another work location
 - handing the **STINGER CN100** to another person
 - storing the tool
 - Never point the tool toward yourself or anyone else
 - Never engage in horseplay when handling the tool
 - Never hold or carry the tool with a finger on the trigger
 - Never place a hand or any other part of the body in the fastener discharge area of the tool while the air supply is connected



WARNINGS

AIR SUPPLY AND CONNECTIONS

- Use only clean, regulated compressed air as a power source for this tool. Do not use bottle gases, combustible gases or oxygen as a power source for the tool as the tool may explode.
- Do not use air supply pressures that exceed 105 PSI.
- Do not exceed the recommended maximum operating air pressure as tool wear will be greatly increased. The air supply must be capable of maintaining the operating air pressure of the tool. Pressure drops in the air supply can reduce the tool's driving power.
- Use a pressure regulator and gauge to allow visual inspection of the air pressure being delivered to the tool.
- Use air hoses that have rated pressures of up to 150% of the maximum pressure that can be generated by the power source. The supply hose should contain 1/4" fittings that will provide quick disconnecting from the male plug on the tool.
- Use quick connect fittings that allow the tool to be unhooked from the air supply quickly and easily.
- Do not use fittings that will not allow the tool to exhaust when the air supply is disconnected.

WARNINGS

OPERATION OF THE TOOL

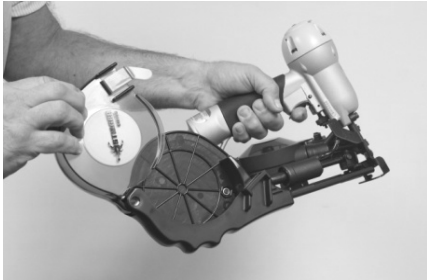
- Never inspect, maintain, repair, adjust, clear a jam or store the tool with the air connected.
- Never use the tool in proximity of flammable gases or liquids, as some tools will create sparks that can be an ignition source for a fire or explosion.
- Always inspect the safety device for damage and proper operation, prior to operation.
- Never assume the tool is empty of fasteners.
- Never point the tool toward yourself or any other persons.
- Never cycle the tool unless it is in contact with the work-piece.
- Never use the tool as a hammer or wedging device or drop to the floor from any height.
- Always remove your finger from the trigger when pausing from cycling.
- Never tamper with the safety device or use the tool if the safety device is not functioning properly.
- Use only **1" STINGER NailPac®** cap nails with the **STINGER CN100** Cap Nailer. Never use any fasteners that are not specified for use in this tool. The CN100 holds 1 roll of plastic caps (200 caps) and 1 coil of nails (200 nails each).

TOOL SPECIFICATIONS

Operating pressure	95-105 psi
Weight	4.9 lb.
Nail capacity	200 nails (1-200 count coil)
Cap capacity	200 plastic collated caps (1-200 count roll)
Air inlet	1/4"
Fasteners	STINGER NailPac ® (National Nail product number 136260) includes 10 coils of 1" EG ring shank nails (200 nails per coil) and 10 rolls of 1" diameter plastic collated caps (200 caps per roll).

LOADING THE TOOL

USE 1" STINGER NAILPAC® CAP NAILS ONLY



- Disconnect air.
- Open the cap magazine cover by pushing the green cover release tab and lifting.



- Place cap roll in basket. Make sure the front end of the cap roll is placed over the cap guide area of the basket. Insert lead cap into the feed chute.
- Slide caps along the feed chute with fingers until they engage the cap feeder. Pull the cap feeder back and release to advance caps until the first cap is under the nose of the tool.
- Close the magazine cover.



- Depress the latch on the nail gate and basket cover. Open nail gate. Open nail basket cover. Place one nail coil in basket so it fits securely around center post.



- Insert lead nail into nose. Lay following nails flat onto feeder pawls.
- Close nail basket cover. Close nail gate. Be sure latch is securely fastened.
- Plug into air source. Tool is ready to use.

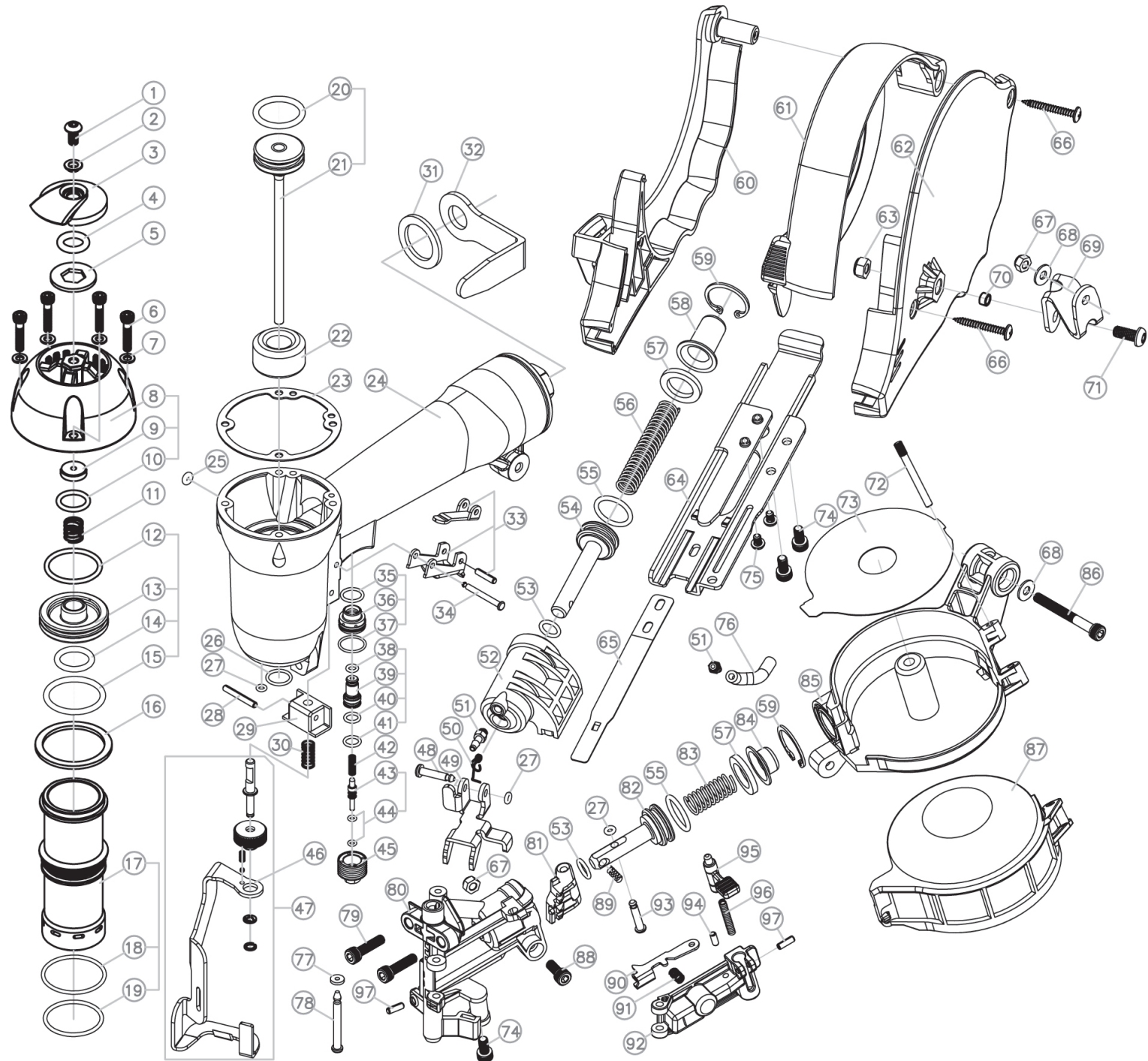
OPERATING THE TOOL

1. Read the Owner's Manual prior to using the tool.
2. Read warning label(s) on the tool.
3. Visually inspect the tool for worn or damaged parts.
4. Wear appropriate eye protection.
5. Insert a male pneumatic fitting into the end cap of the tool, ensuring that the fitting allows the tool to exhaust any air in the tool when the air hose is disconnected.
6. Add 2 drops of non-detergent, 20-weight oil into the male fitting daily.
7. Connect the air hose using a quick connect fitting to the tool, and check the air pressure reading on the regulator to ensure it does not exceed 105 PSI. Check the tool for any air leaks.
8. Place the tool, empty of fasteners, in operating position on a scrap work piece. Fully depress the safety and pull the trigger to verify the tool cycles.
9. Disconnect the air hose from the tool when:
 - Loading nails and/or caps
 - Performing inspection, maintenance or repair
 - Clearing a nail or collated cap jam
 - The tool is not in use
 - Leaving the work area
 - Moving the tool to another work location
 - Handing the STINGER CN100 to another person
 - Storing the tool
10. Following recommended loading instructions, load the fasteners approved for use in the tool.

OPERATING THE TOOL

11. Cycle the tool on a scrap work piece to evaluate the depth of penetration by the fastener into the work piece.
12. To adjust the depth of penetration, regulate the air pressure at the regulator and/or disconnect the air hose, adjust the depth control screw, connect the air hose and cycle the tool on a scrap work piece to evaluate the adjustment.
13. Repeat Step 12 as needed to set the correct depth, using the minimum amount of air pressure to drive the fastener.

STINGER CN100 SCHEMATIC



4/15/11

STINGER CN100 PARTS LIST

Ref No.	Item No.	Description	Ref No.	Item No.	Description
1	0136665	CAP SCREW M5-0	50	0135909	SPRING PIN
2	0135851	WASHER	51	0136645	10-32 X 1/8" BARB
3	0135951	EXHAUST DEFLECTOR	52	0135910	FEED CYLINDER
4	0137973	O-RING	*	53	0135911 O-RING (2)
5	0135854	WASHER	54	0135912	FEED PISTON (caps)
6	0137953	CAP SCREW	*	55	0135913 O-RING (2)
7	0135856	FLAT WASHER	56	0135914	LONG FEED PISTON SPRING (caps)
8	0137965	CAP	57	0135915	PISTON STOP
*	9	0136627 EXHAUST SEAL	58	0135916	FEED PISTON COVER
*	10	0136628 O-RING	59	0135917	RETAINING RING
11	0136630	POPPET SPRING	60	0135919	CAP MAGAZINE RIGHT
*	12	0136643 POPPET -O-RING	61	0137920	CAP MAGAZINE COVER
13	0136642	POPPET SPRING	62	0137921	CAP MAGAZINE LEFT
*	14	0137976 PISTON STOP O-RING	63	0137957	LOCK NUT
*	15	0137979 CYLINDER SEAL O-RING	64	0137925	FEED CHUTE - GCS8116
16	0553031	CYLINDER SPACER	65	0135918	HOLD DOWN SPRING
17	0137908	CYLINDER	66	0135922	SCREW
*	18	0137969 CYLINDER O-RING	67	0137955	LOCK NUT
*	19	0553029 CYLINDER O-RING	68	0136611	WASHER
*	20	0136615 PISTON O-RING	69	0137926	BRACKET
21	0137900	PISTON & DRIVER Assembly	70	0135923	SPACER
22	0553001	BUMPER	71	0135924	SCREW
*	23	0137966 GASKET	72	0135907	PIN
24	0137904	BODY	73	0137992	NAIL SUPPORT
*	25	0136621 O-RING VALVE	74	0137953	SCREW (3)
*	26	0137972 O-RING	75	0135926	SCREW (2)
*	27	0137986 O-RING	76	0137996	TUBING
28	0136653	SPRING PIN	77	0137987	RUBBER WASHER
29	0135897	SAFETY GUIDE	78	0137913	PIN
30	0136658	SAFETY YOKE SPRING	79	0137946	SOCKET HEAD CAP SCREW M5-0
31	0135947	WASHER	80	0137917	NOSE
32	0135948	BELT CLIP	81	0137906	FEED PAWL
33	0135946	TRIGGER ASSEMBLY	82	0137989	FEED PISTON
34	0136623	TRIGGER PIN	83	0137936	SPRING
*	35	0135878 O-RING	84	0137922	FEED PISTON COVER
36	0135879	TRIGGER VALVE (A)	85	0137923	NAIL MAGAZINE
*	37	0135880 O-RING	86	0137954	SCREW
*	38	0135881 O-RING	87	0137924	NAIL MAGAZINE COVER
39	0135882	TRIGGER VALVE (B)	88	0137947	SCREW
*	40	0135883 O-RING	89	0137937	SPRING PIN
*	41	0135884 O-RING	90	0137944	CHECK PAWL
42	0135885	SPRING PIN	91	0137938	SPRING PIN
43	0135887	PLUNGER	92	0137993	DOOR LATCH
*	44	0135886 O-RING (2)	93	0137914	PIN
45	0135888	TRIGGER VALVE HOUSING	94	0137915	PIN
46	0137964	SAFETY	95	0137945	DOOR LATCH
47	0137902	SAFETY ASSEMBLY	96	0137939	SPRING PIN
48	0136647	PIN	97	0137916	PIN
49	0137912	CAP FEEDER			

* Parts included in AS-97377 O-Ring and Seal Kit

MAINTENANCE & STORAGE

MAINTENANCE

1. Disconnect the air hose from the tool when performing inspections, maintenance or repairs.
2. Use air line lubricators. If lubricators are not available, or if hose lengths exceed 10 feet, add 2 drops of non-detergent 20-weight oil daily into the air inlet of the tool.
3. Whenever repairs or replacement of parts inside the body occur, check the piston “O” ring for adequate grease lubrication.
4. Never use any parts other than genuine **STINGER** replacement parts.
5. Periodically clean the nose of the tool with a mild solvent.

STORAGE

1. Disconnect the air hose when storing the tool.
2. Never store the tool in cold weather environments for any duration of time as any frost or ice formation in the tool will cause tool failures.
3. For prolonged storage, add 2 drops of oil to the air inlet of the tool prior to discontinuing use. Also clean the exterior of the tool with a mild solvent.

WARRANTY

WARRANTY ITEMS

1. Warranty for cap assemblies, castings and housing castings is one year.
2. Warranty for bumpers, “O” rings, driver blades and piston rings is not applicable as they are normal wearing parts whose life is dependant on application.
3. Warranty for all other parts is 90 days.

WARRANTY CONDITIONS

1. The beginning date on which the warranty is in force is the date of purchase.
2. The warranty is not transferable.
3. The warranty is voided by any of the following:
 - a. Abuse, misuse, or damage to the tool
 - b. Use of parts other than genuine **STINGER** parts
 - c. Use of fasteners not designated for use in the tool
 - d. Modifications to the tool that alter the original function or intent of use of the tool by anyone other than National Nail Corp.
4. National Nail Corp. retains the right to replace or repair any warranty items it deems necessary.

TROUBLESHOOTING

Disconnect the air hose from the tool when performing inspections, maintenance or repairs.

PROBLEM:

CORRECTION:

1. Tool operates, but no fasteners are driven.

- Check magazine for proper fasteners. Fasteners should slide freely in and out of the magazine.

2. Cap leaks air.

- Tighten cap screws.

3. Fasteners jam in nose of tool.

- Un-plug tool from air supply.
- Open nail gate.
- Remove fasteners from magazine.
- Remove jammed fastener and close nail gate.
- Load tool.

4. Skipping fasteners

- Replace bumper if worn.
- Use only recommended fastener size.
- Check air supply as it may be too low or on too high.

5. Fasteners will not drive completely into work piece

- Increase air pressure (do not exceed 105 PSI).
- Check depth of drive setting.

Please contact Inside Sales for technical support if you have any other problems: 800-746-5659

Contact Inside Sales at
800-746-5659
to place an order for replacement
parts.

Visit our website at
www.stingerworld.com
to learn more about our products
and services.

NN
national nail corp.
more than just nails

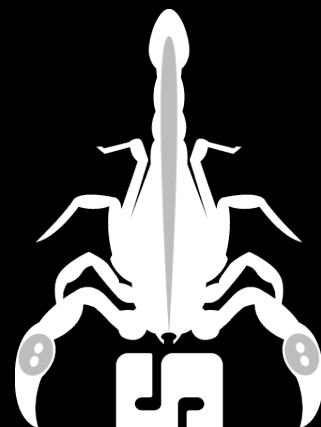
2964 Clydon SW, Grand Rapids MI 49519, USA

Phone: 800-968-6245 Fax: 616-531-5970

www.nationalnail.com

REV 06/15

www.stingerworld.com



STINGER

JUST CAP IT.[®]