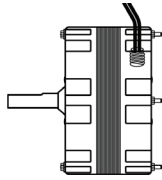
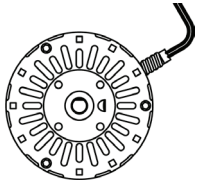
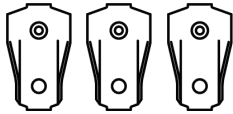


**Replacement Motor
MODEL F0510B2944**



Supplied Universal Kit



(3) Bridges



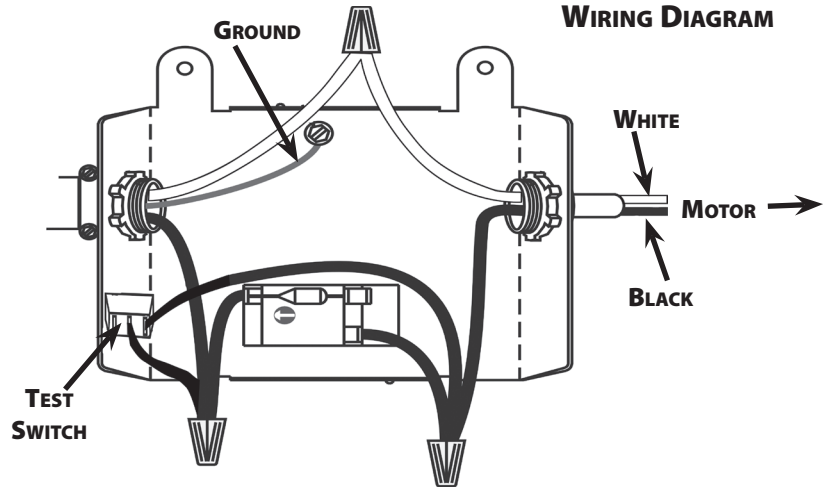
**(3) Nylon
Locking
Nuts**

Replacement motor model F0510B2944, with supplied universal kit, will replace previous motor models:

**A0416B2059
A0510B2389
F0510B2497**

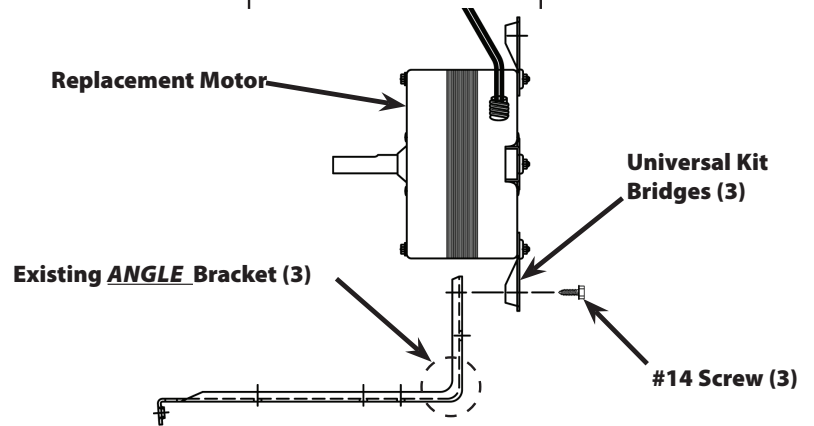
**USE ONLY WITH LOMANCO 2000 OR 1800
ADDAVENT POWER VENTILATORS.**

WIRING DIAGRAM



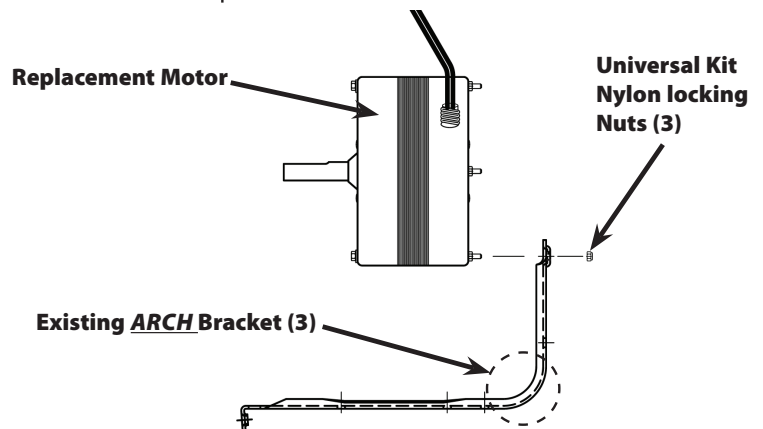
**REPLACEMENT GUIDE FOR PREVIOUS MOTOR
MODELS WITH EXISTING ANGLED BRACKET.**

MODEL A0416B2059 | MODEL F0510B2497 | MODEL A0510B2389



**REPLACEMENT GUIDE FOR PREVIOUS MOTOR
MODELS WITH EXISTING ARCHED BRACKET.**

MODEL F0510B2497 | MODEL A0510B2389



TIPS FOR REMOVING FAN BLADE

1. LUBRICATE SHAFT, HUB AND SET SCREW.
2. LOOSEN SET SCREW 3-4 TURNS.
3. GENTLY TAP FAN HUB UNTIL FAN MOVES TOWARD MOTOR.
4. REMOVE ALL RUST, BURRS, ETC. FROM EXPOSED SHAFT END.
5. FAN CAN NOW SLIDE OFF SHAFT.
6. DO NOT USE BENT BLADE ON NEW MOTOR.